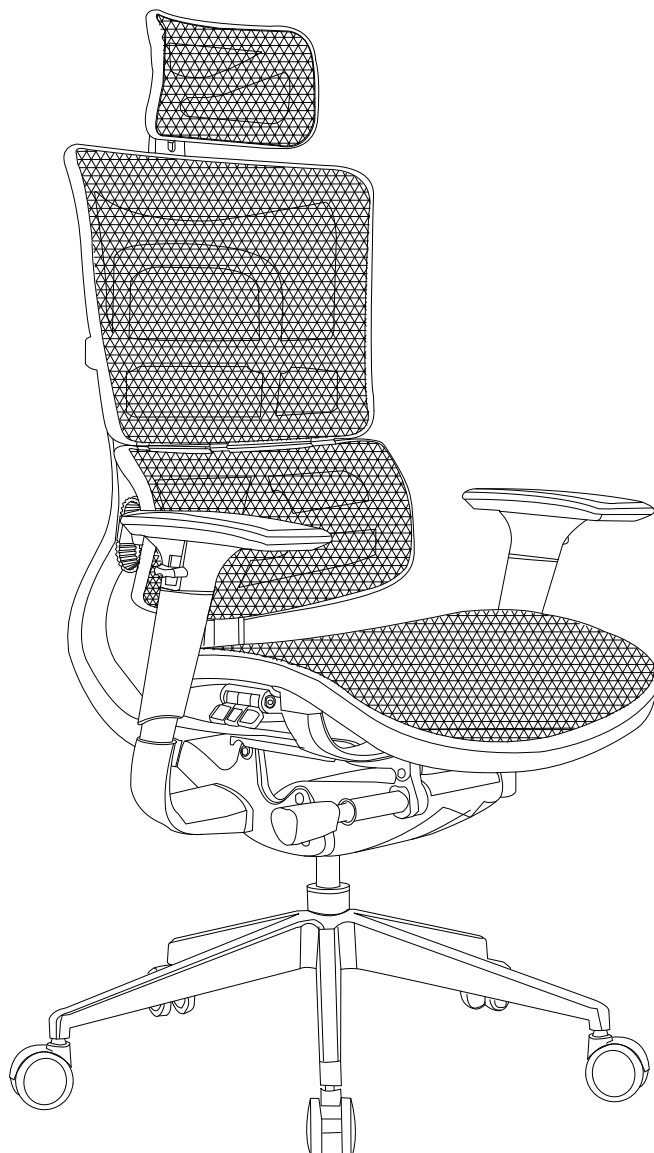
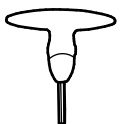
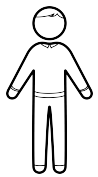
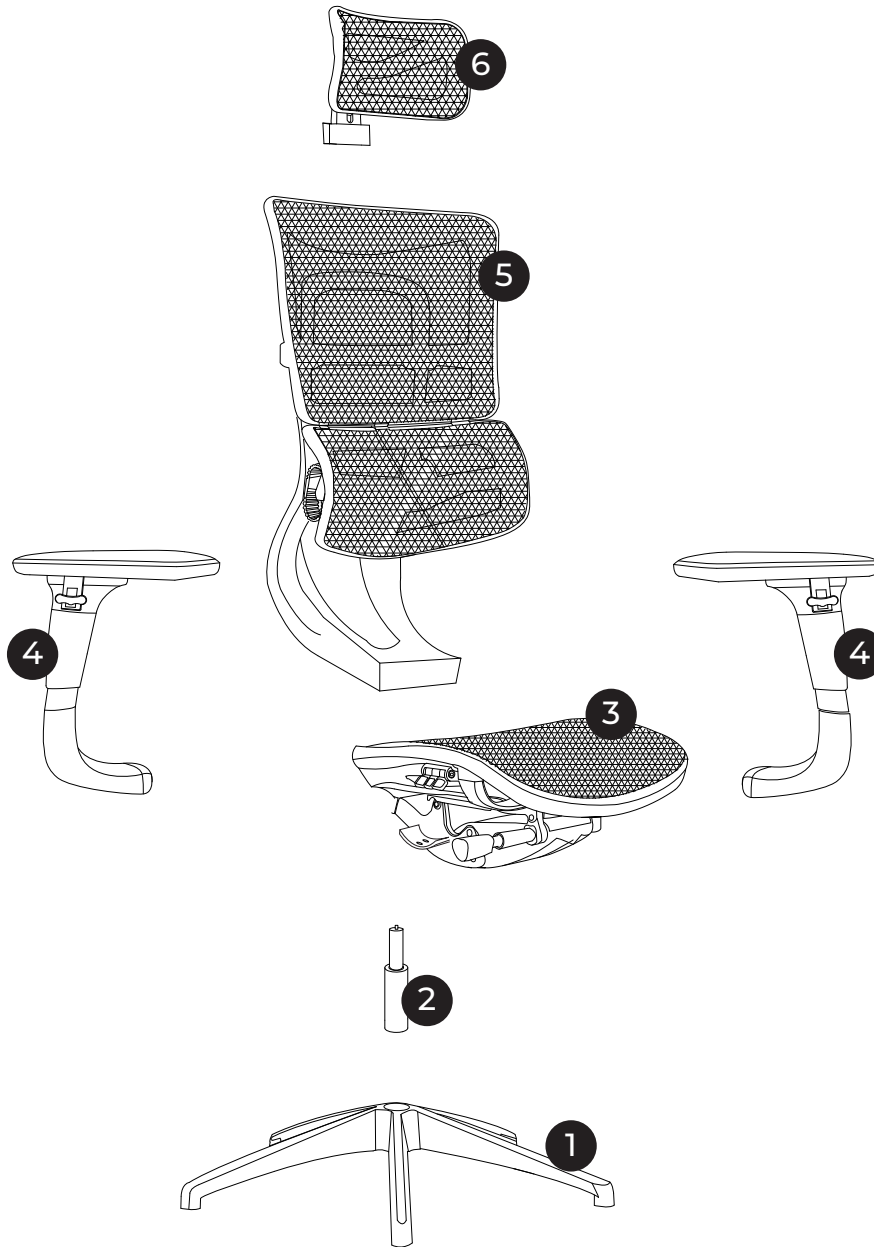


# ERGO 800M

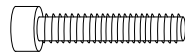
JNS-802 660 x 680-730 x 1250-1410 mm



**BEMONDI**



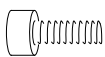
**A x5**



**B x3**  
M8 x 20 mm



**C x4**  
M8 x 16 mm



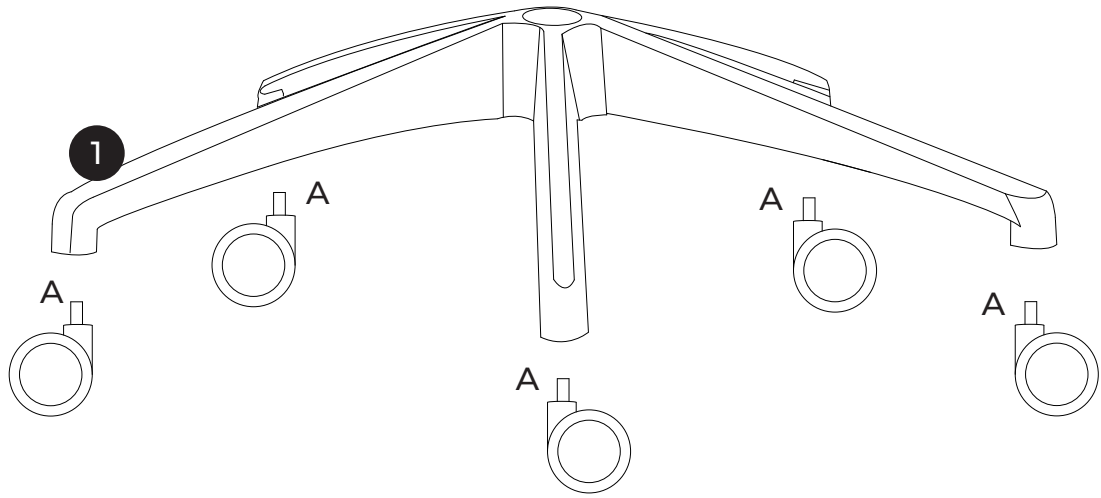
**D x2**  
M6 x 15 mm



**E x7**  
Ø 13 x 2 mm

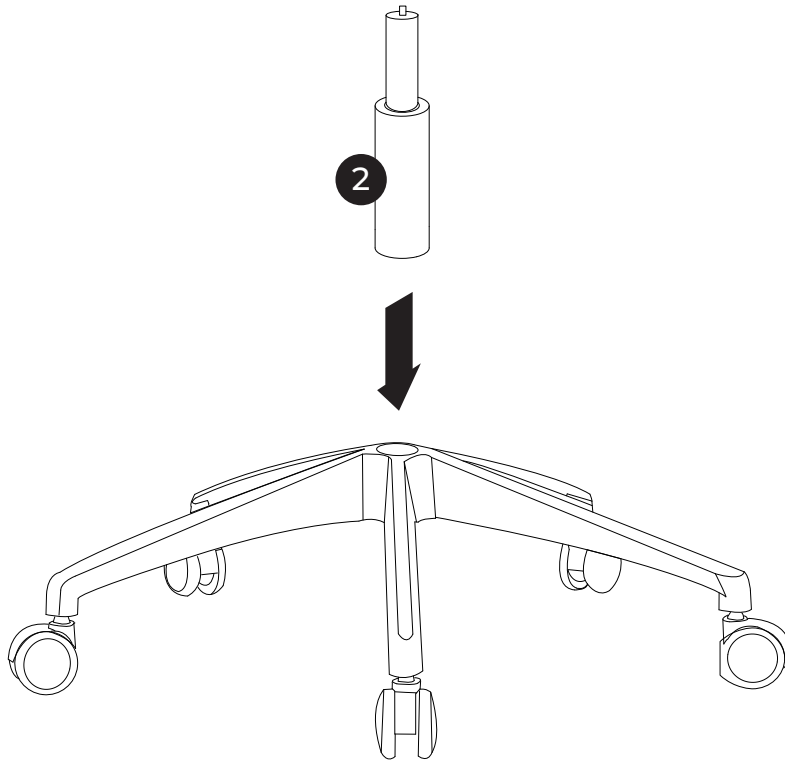


**F x1**

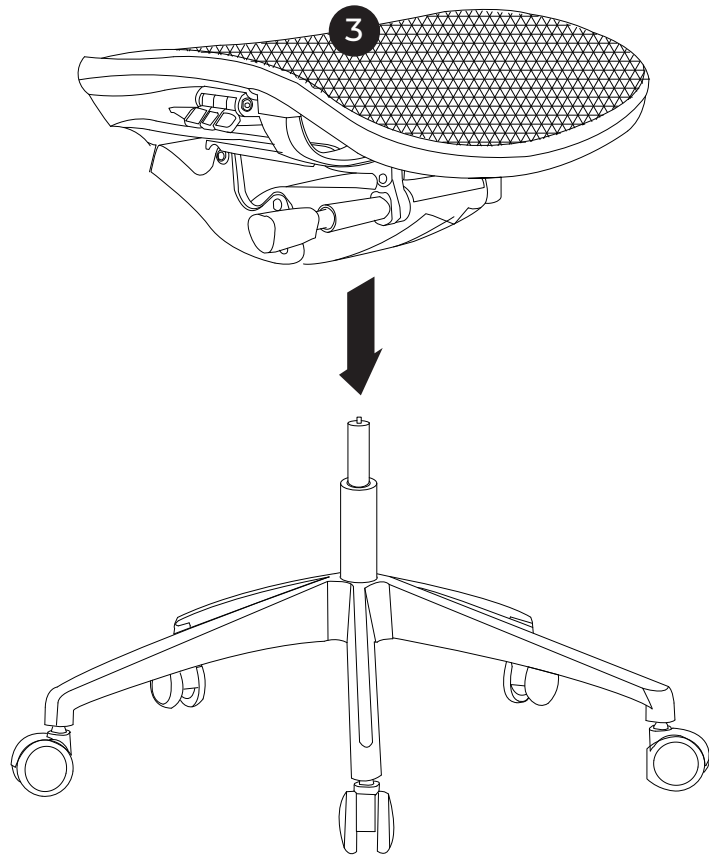


A  x5

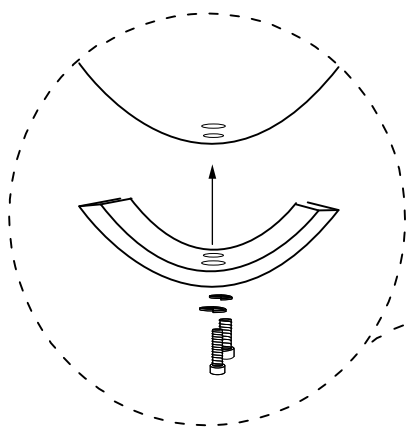
1



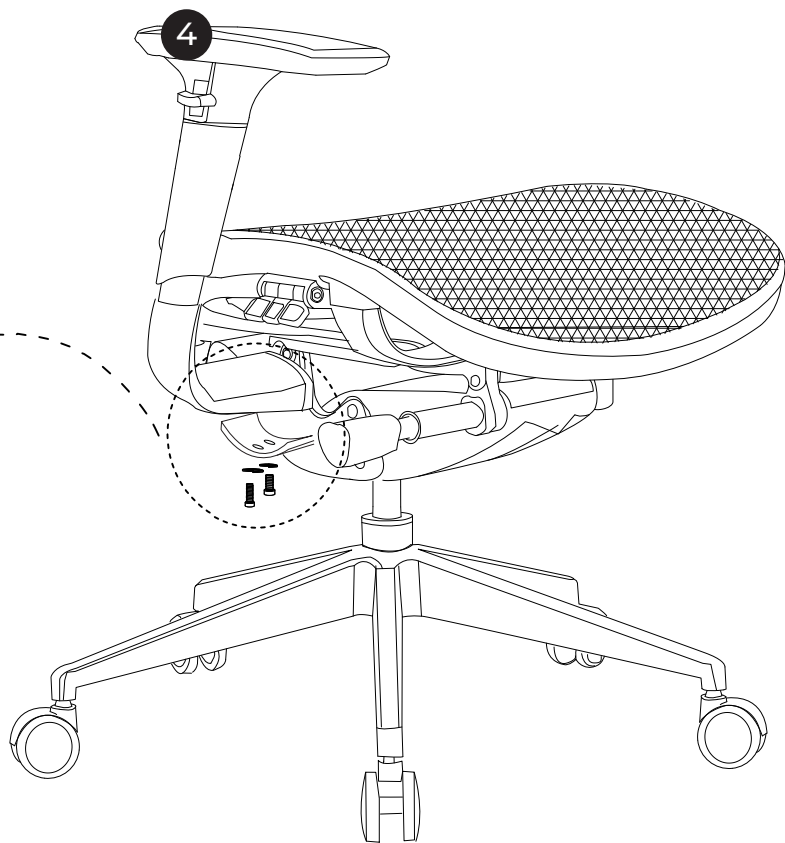
2




3



2xE + 2xC



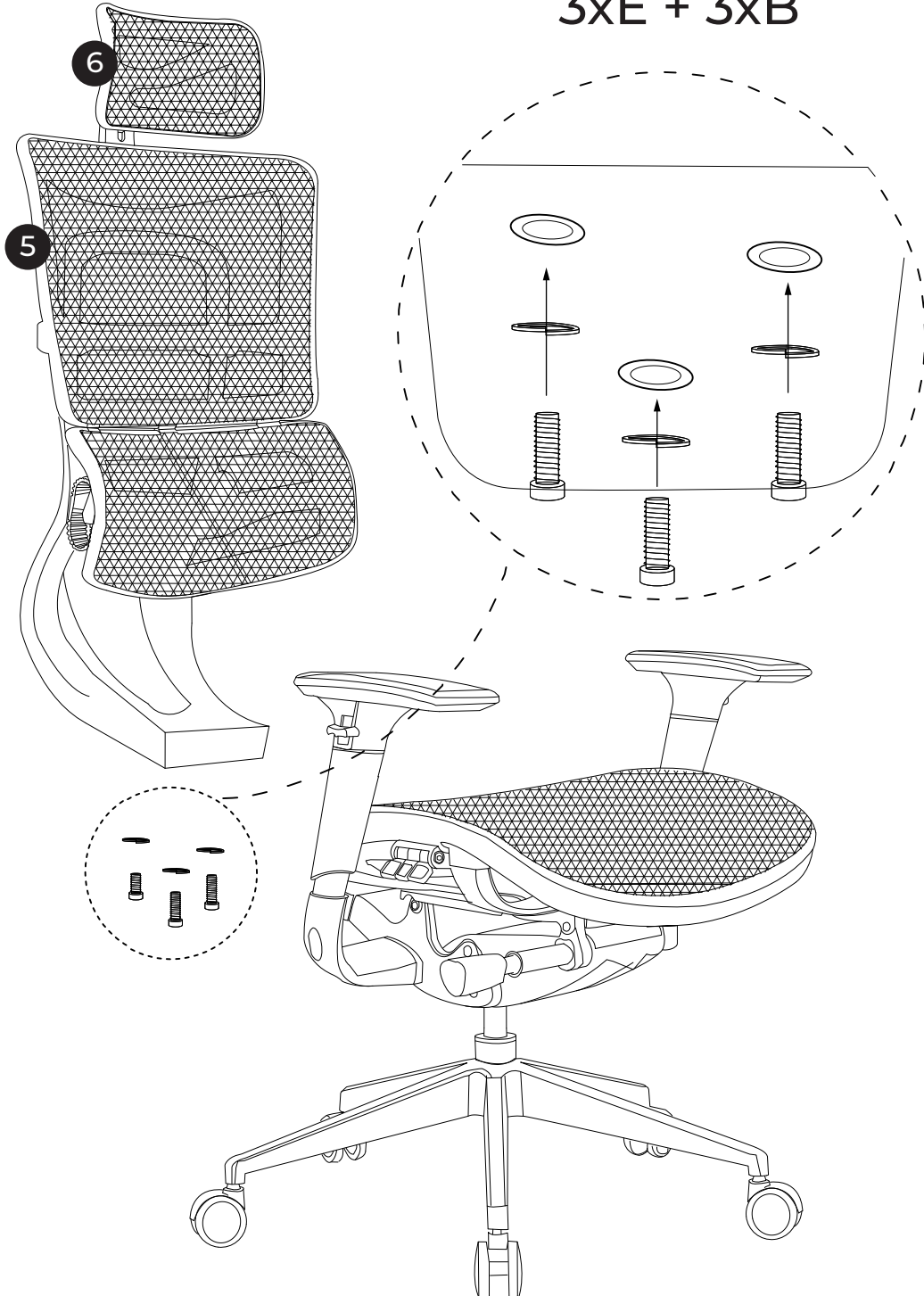
x2

C  x4

E  x4

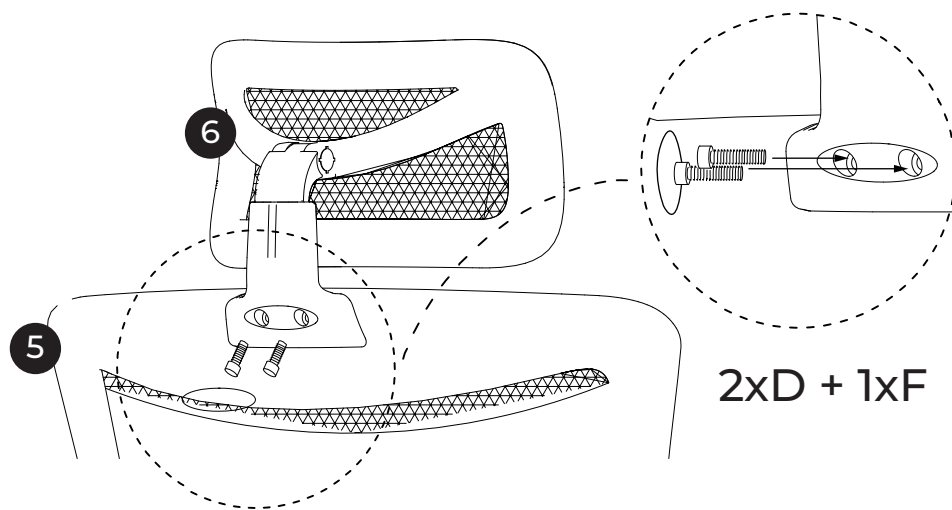
4

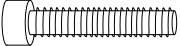
3xE + 3xB



B  x3

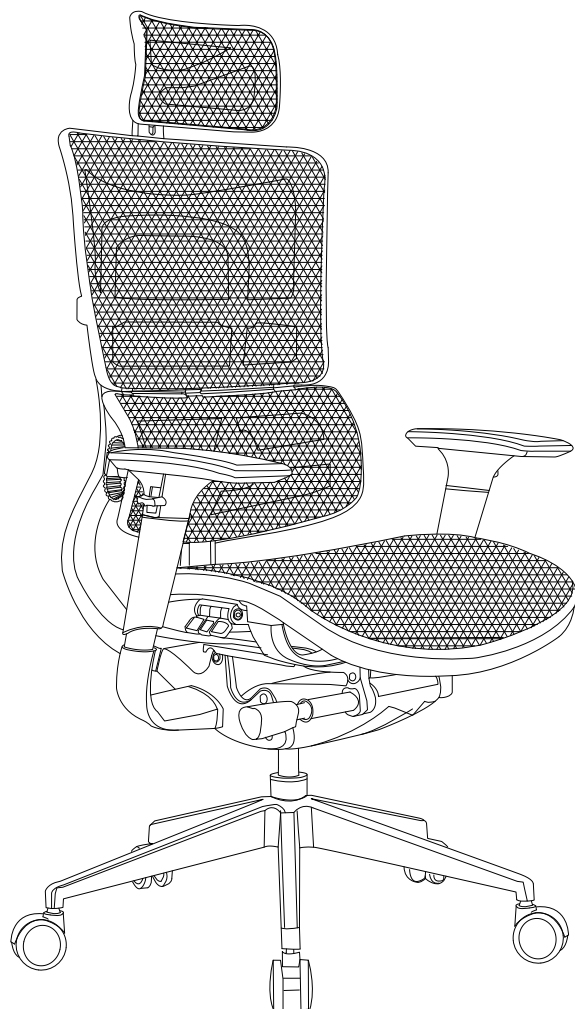
E  x3



D  x2

F  x1

6



7