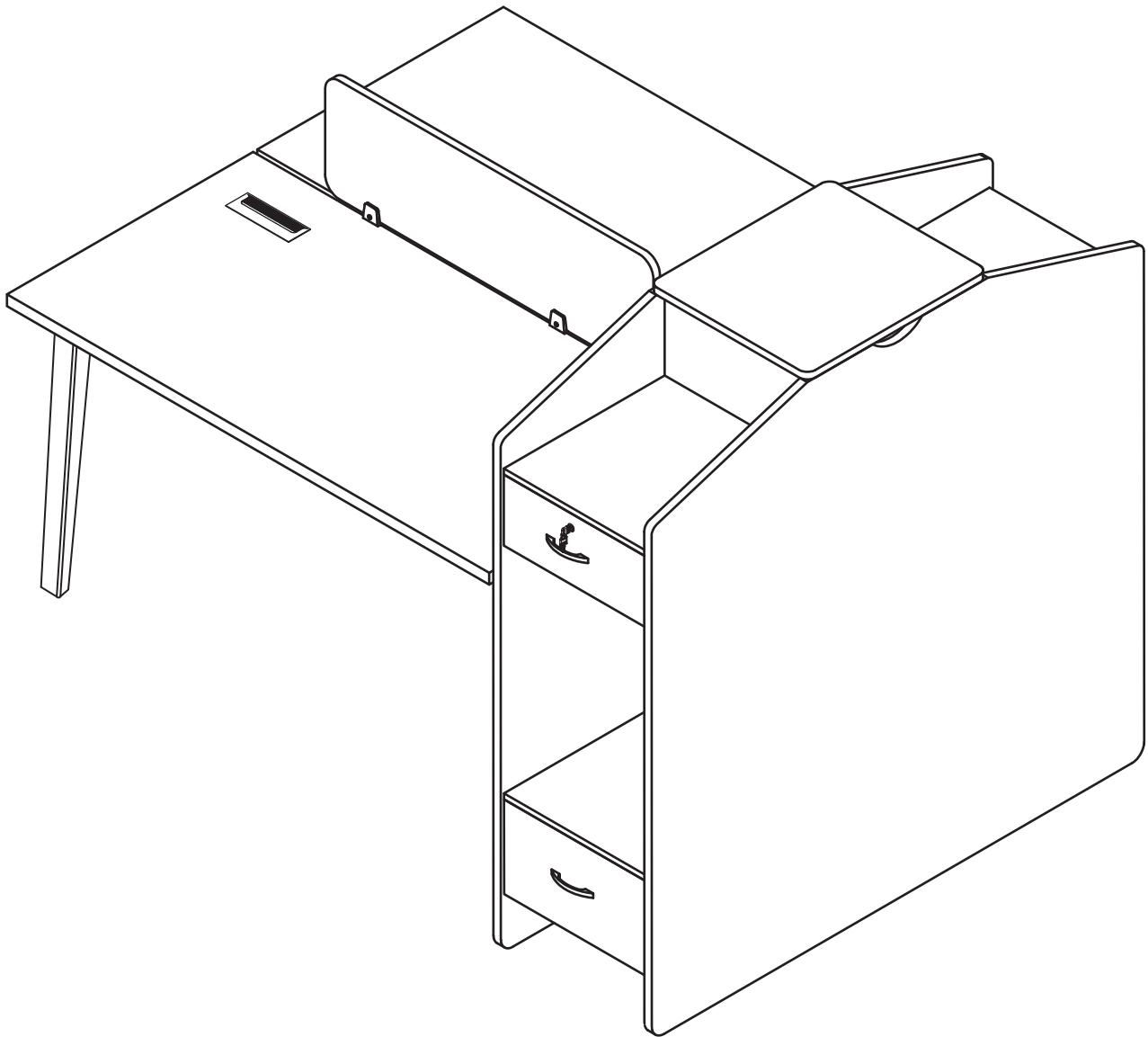
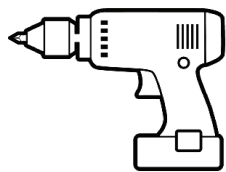
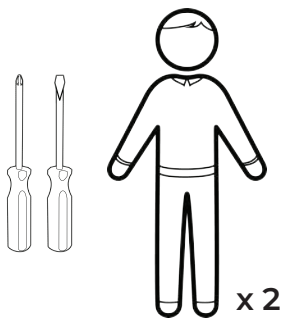
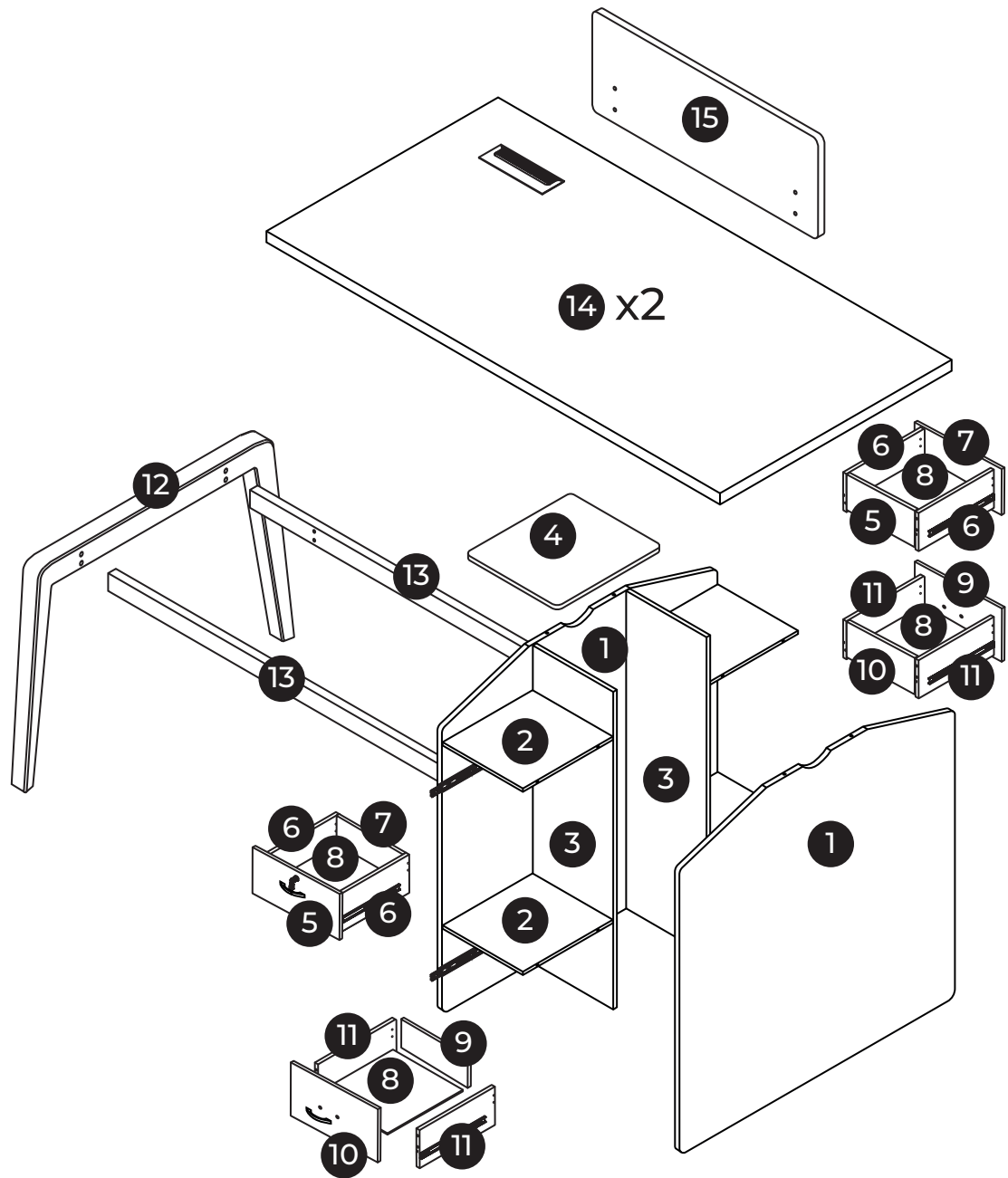


B305-2

1600 x 1200 x 1100 mm



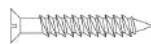
BEMONDI



A x 52
 Ø 15



B x 16
 Ø 8 x 40 mm



C x 16
 Ø 3,5 x 30 mm



D x 12
 Ø 3,5 x 14 mm



E x 16
 Ø 4 x 20 mm



F x 8
 Ø 6 x 16 mm



G x 12
 Ø 6 x 12 mm



H x 4
 Ø 8 x 50 mm



I x 4



J x 8
 Ø 4 x 22 mm



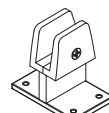
K x 8



L x 6



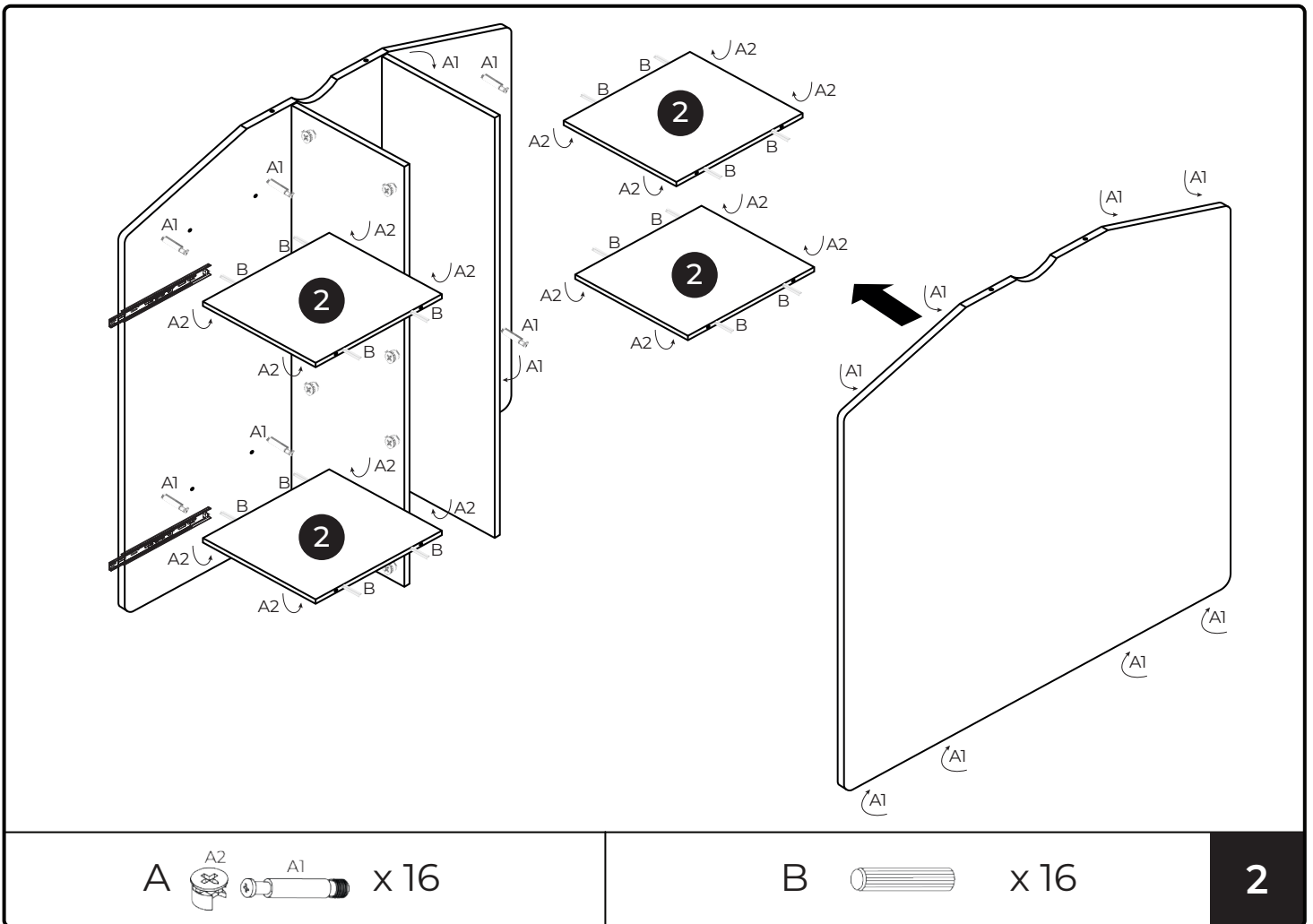
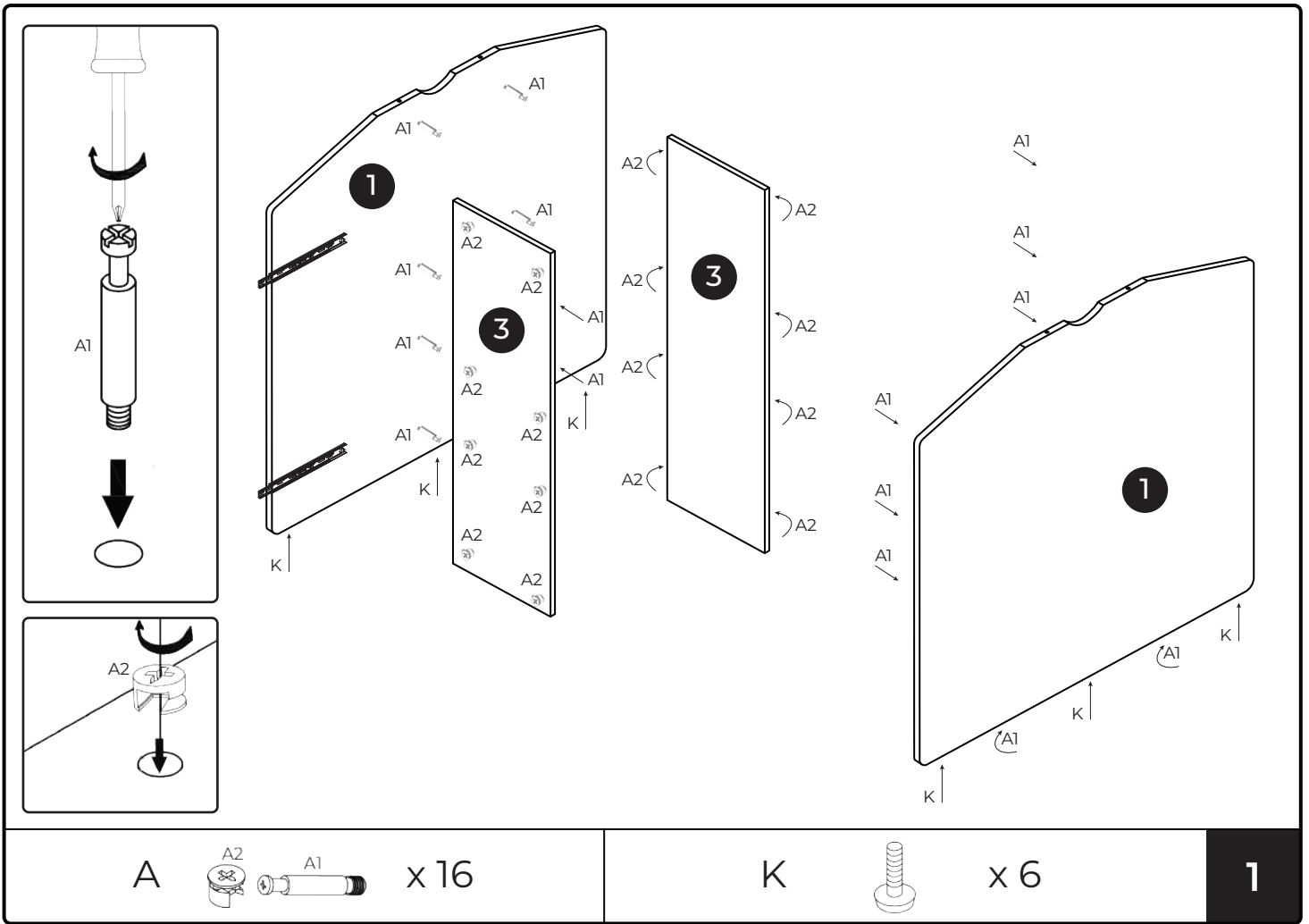
M x 2

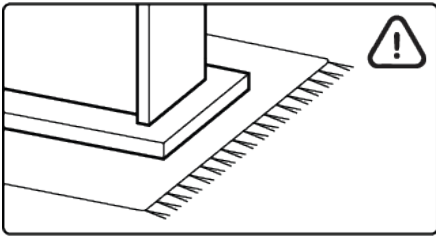


N x 2

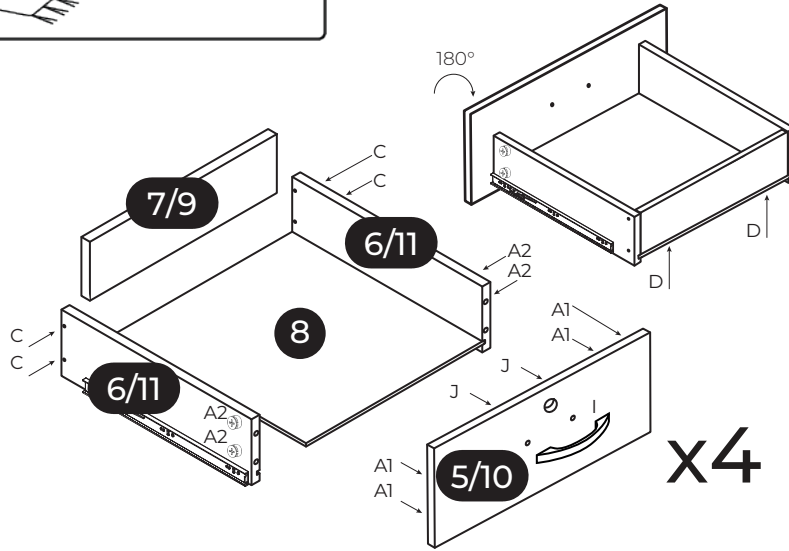
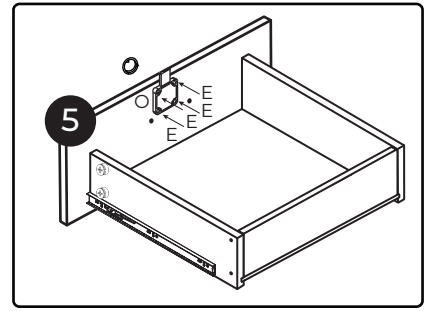


O x 2

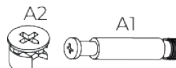






x2

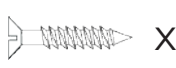


x4

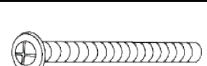
A  x 16

C  x 16

D  x 8

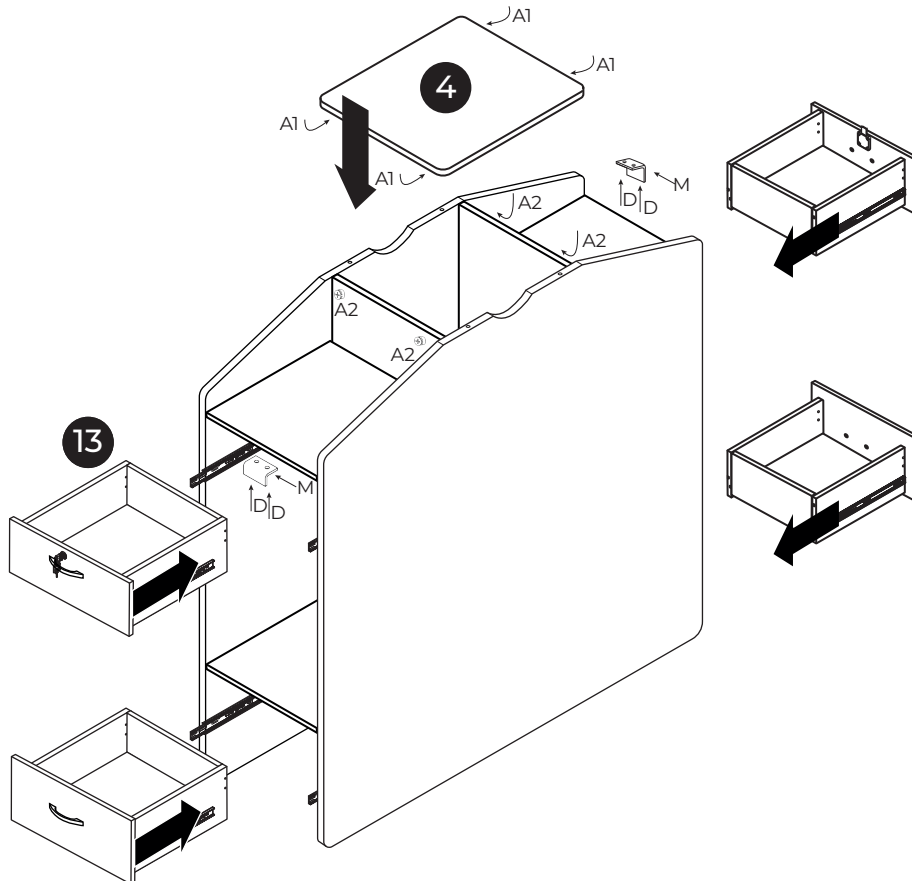
E  x 8

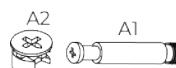
I  x 4

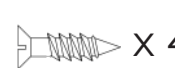
J  x 8


O  x 2

3

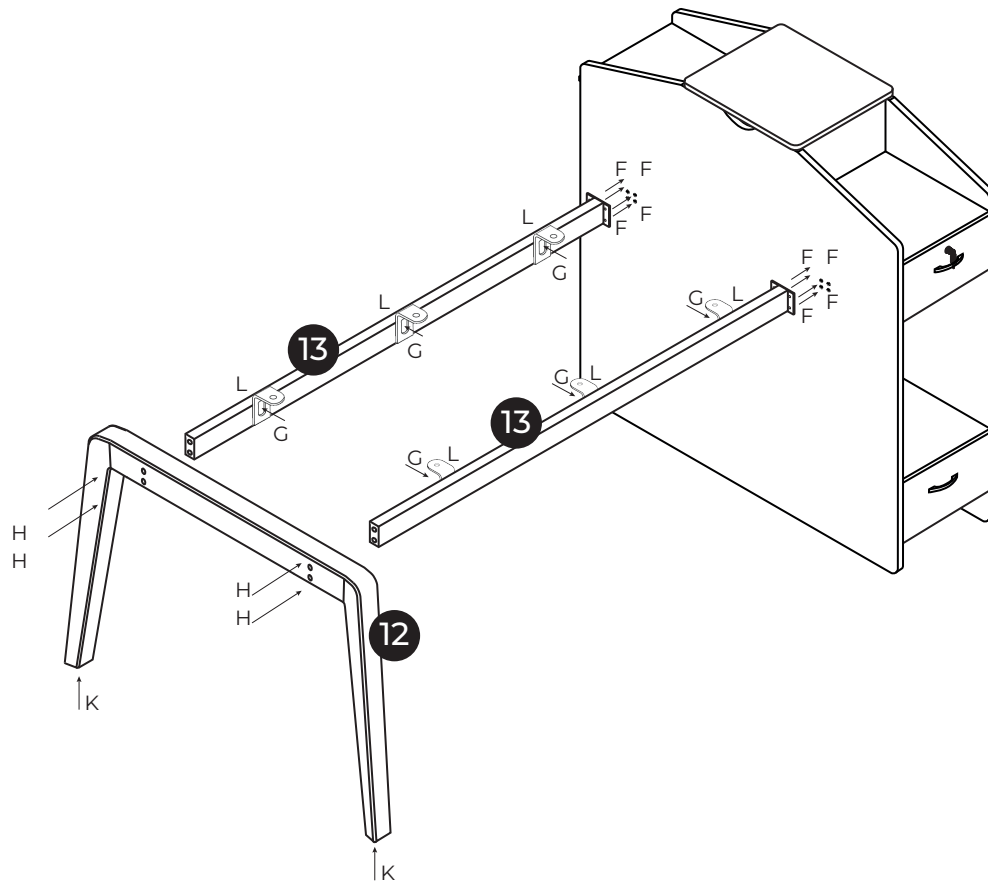



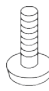
A  x 4

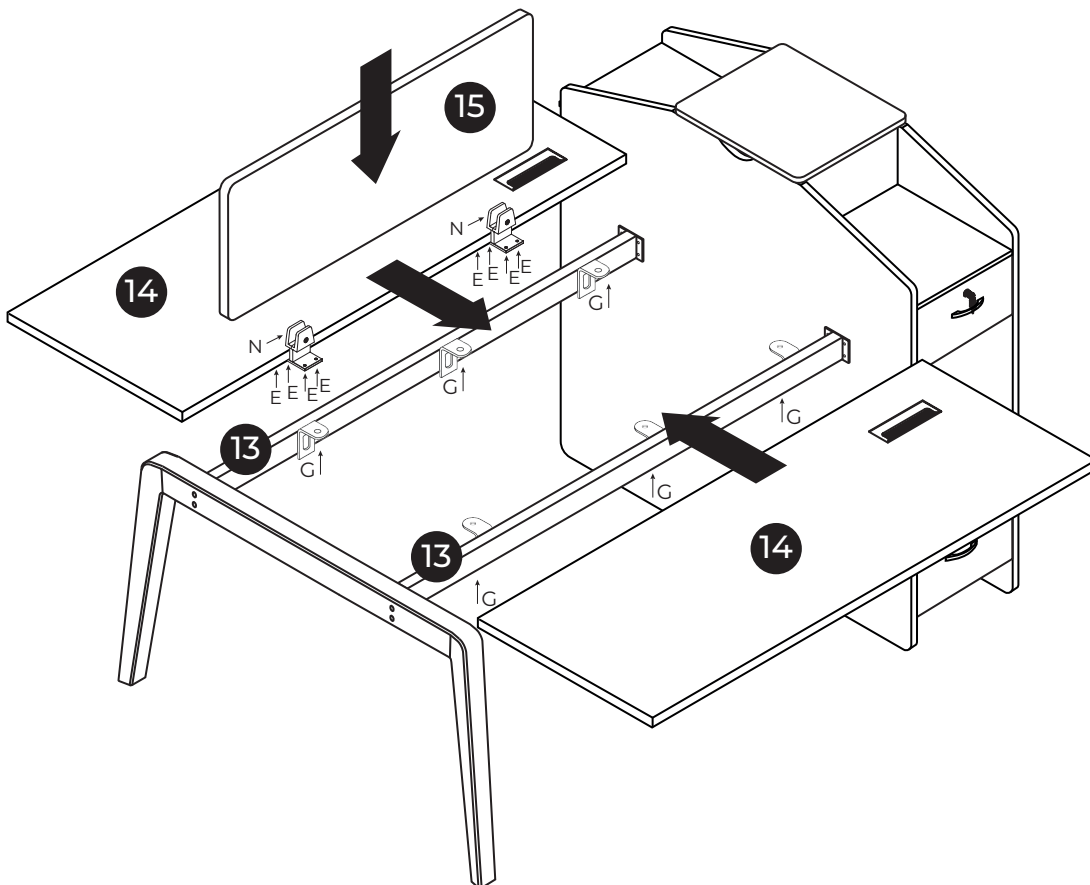
D  x 4


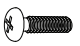

M  x 2

4



- | | | | | | | | | | | |
|---|-----------------------------------------------------------------------------------------|---|-----------------------------------------------------------------------------------------|---|-----------------------------------------------------------------------------------------|---|------------------------------------------------------------------------------------------|---|------------------------------------------------------------------------------------------|----------|
| F |  x 8 | G |  x 6 | H |  x 4 | K |  x 2 | L |  x 6 | 5 |
|---|-----------------------------------------------------------------------------------------|---|-----------------------------------------------------------------------------------------|---|-----------------------------------------------------------------------------------------|---|------------------------------------------------------------------------------------------|---|------------------------------------------------------------------------------------------|----------|



- | | | | | | | |
|---|-----------------------------------------------------------------------------------------|---|-----------------------------------------------------------------------------------------|---|-------------------------------------------------------------------------------------------|----------|
| E |  x 8 | G |  x 6 | N |  x 2 | 6 |
|---|-----------------------------------------------------------------------------------------|---|-----------------------------------------------------------------------------------------|---|-------------------------------------------------------------------------------------------|----------|

