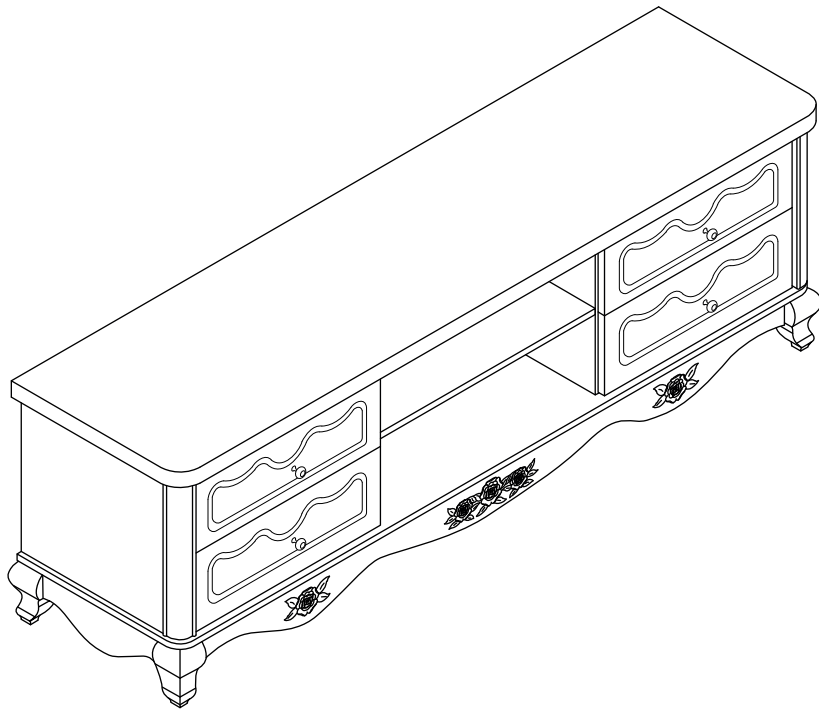
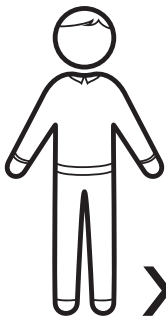
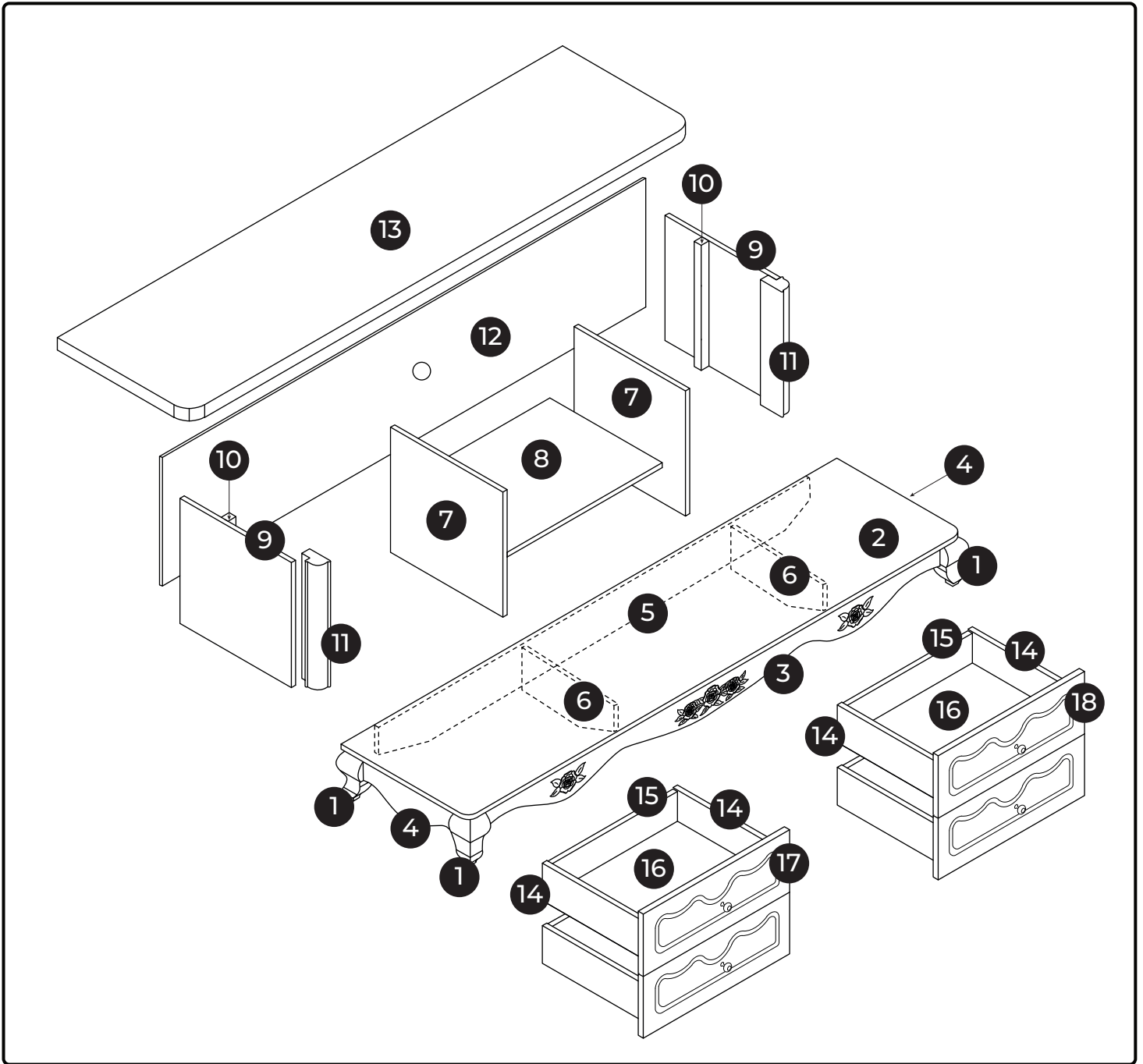


916

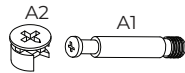
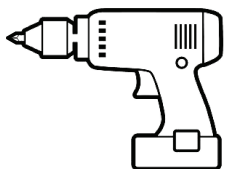
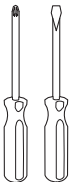
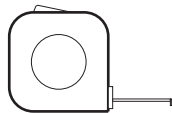
1800 x 470 x 580 mm



BEMONDI



x2



A x 62
 Ø 15 mm



B x 20
 Ø 8 x 30 mm



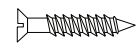
C x 4



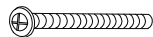
D x 8
 Ø 6 x 30 mm



E x 32
 Ø 3.5 x 15 mm



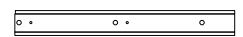
F x 16
 Ø 3.5 x 35 mm



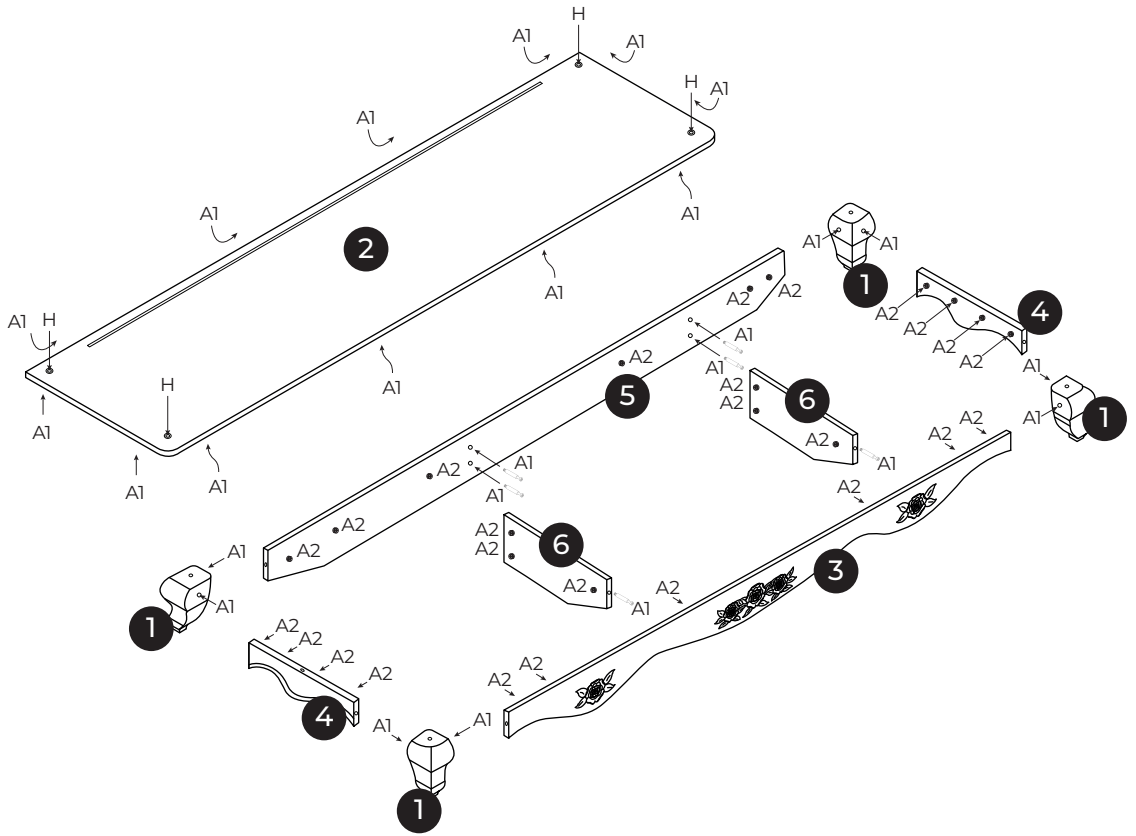
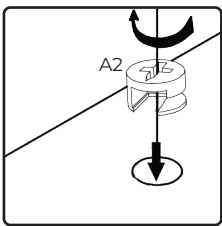
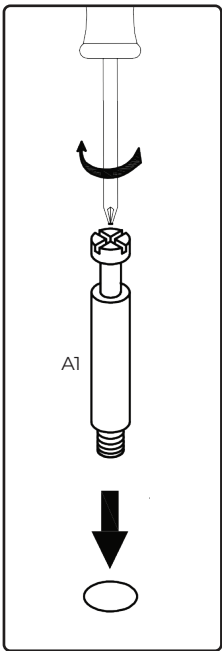
G x 4
 Ø 4 x 25 mm


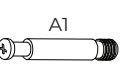



H x 4
 Ø 8 x 20 mm



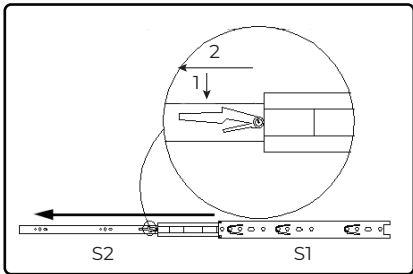
S x 8
 300 x 35 mm



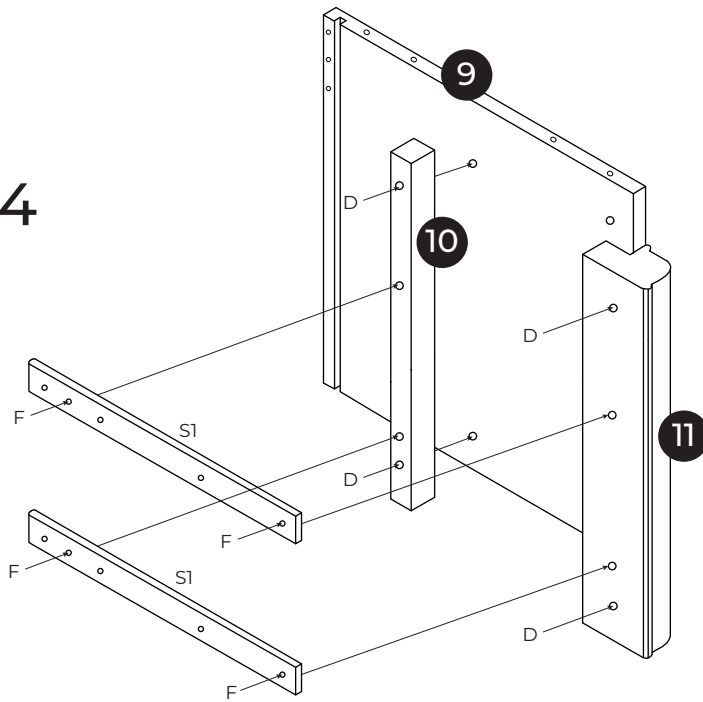
A   x26

H  x4

1




x4



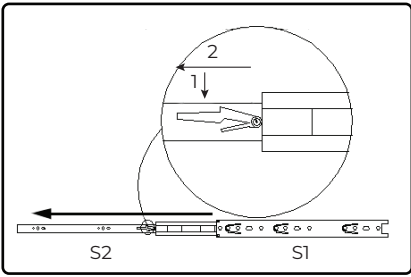
x2

F  x8

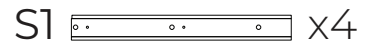
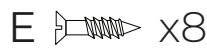
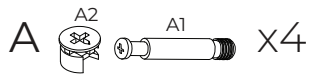
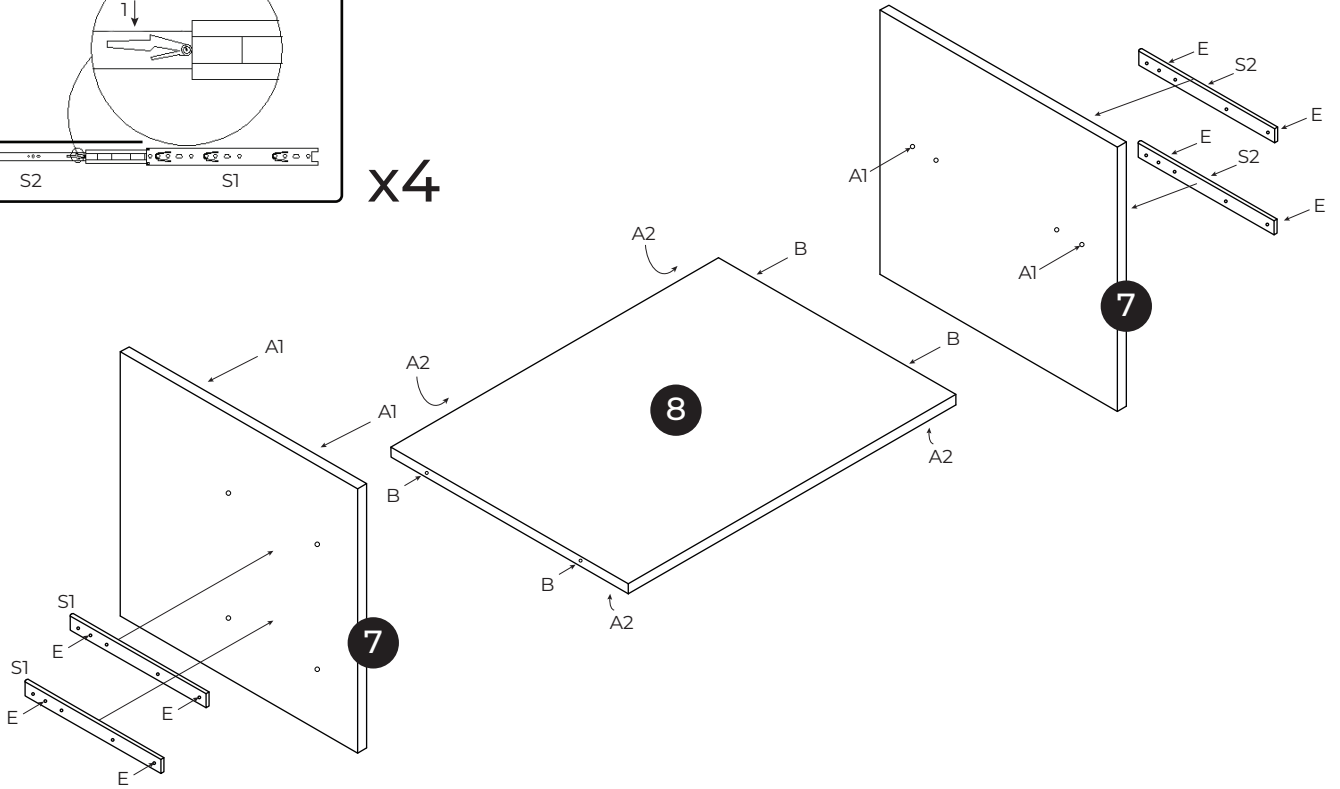
D  x8

S1  x4

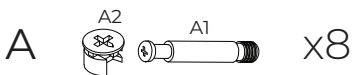
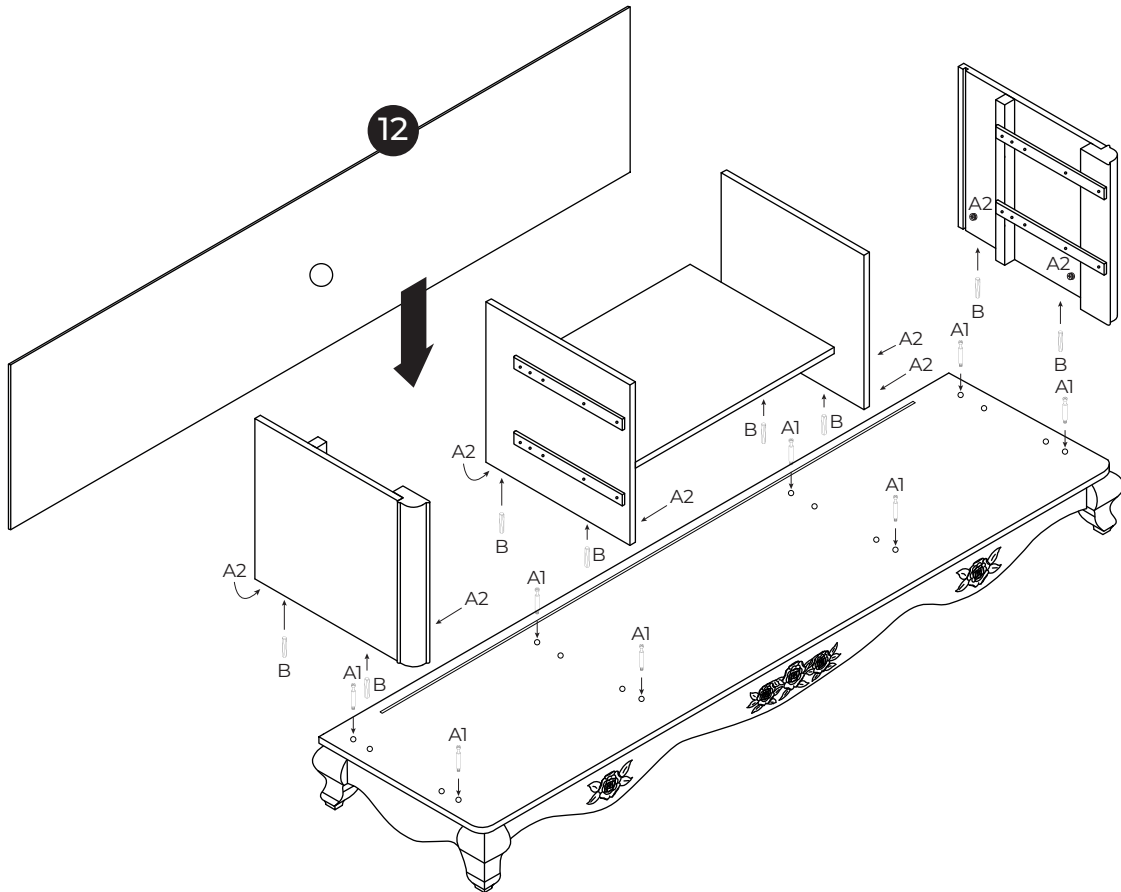
2



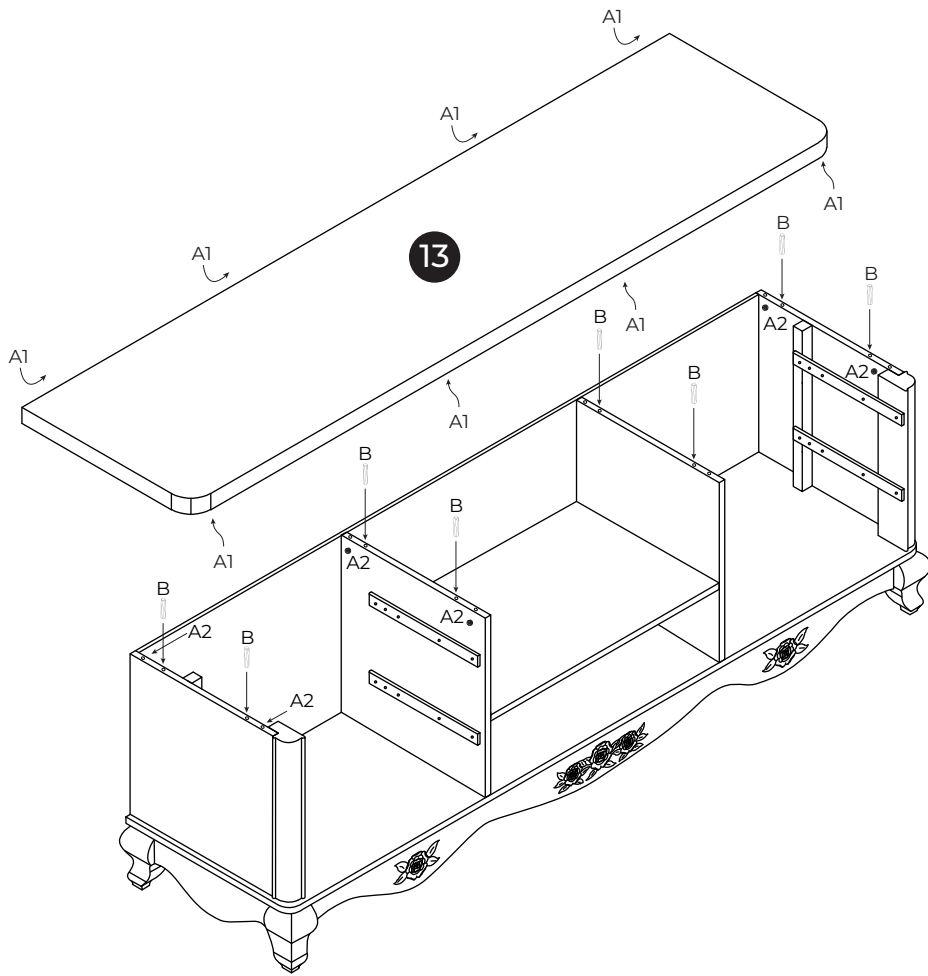
x4


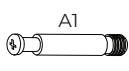


3



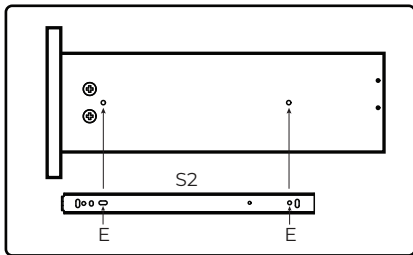
4



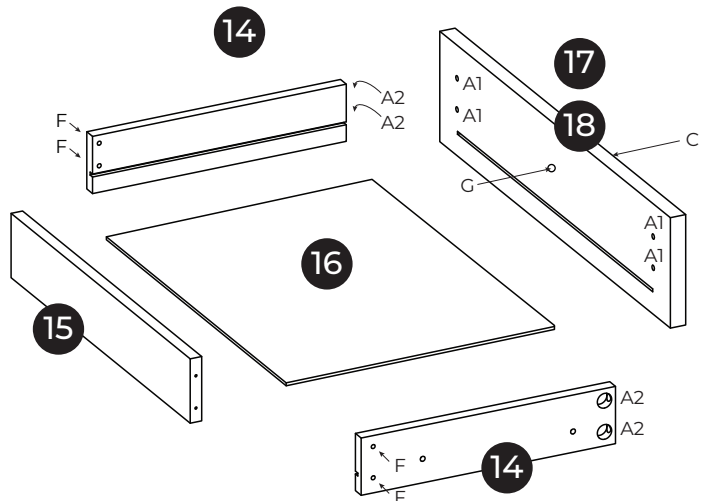
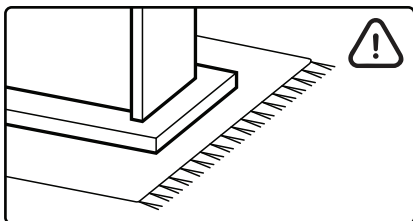
A   x8

B  x8


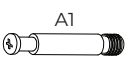
5



x8



x4

A   x16

C  x4

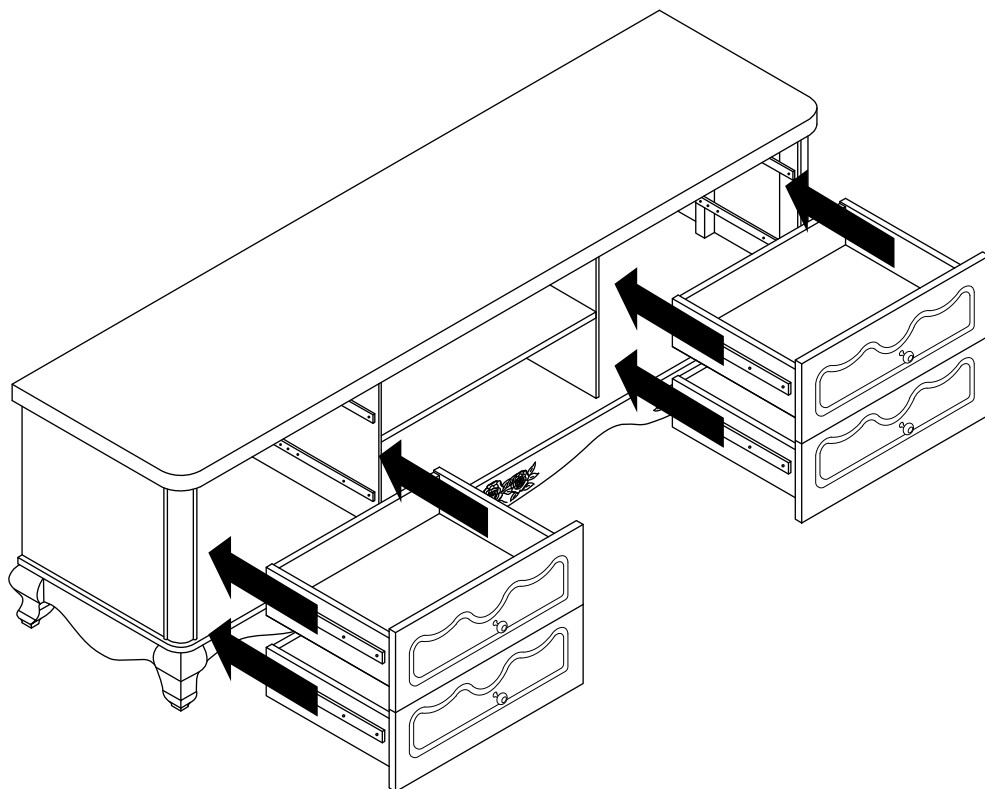
E  x16

F  x16

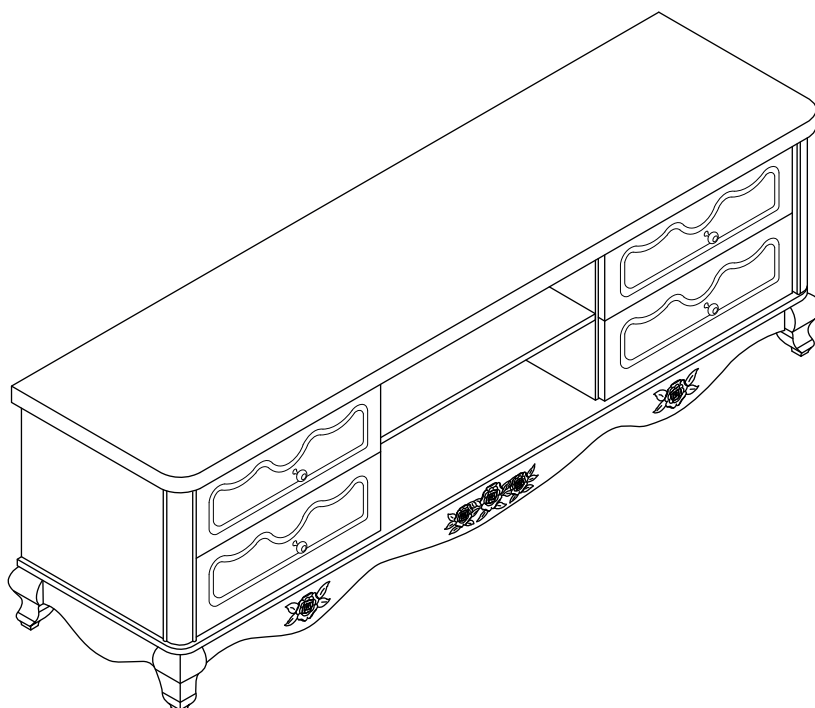
G  x4

S2  x8

6



7



8