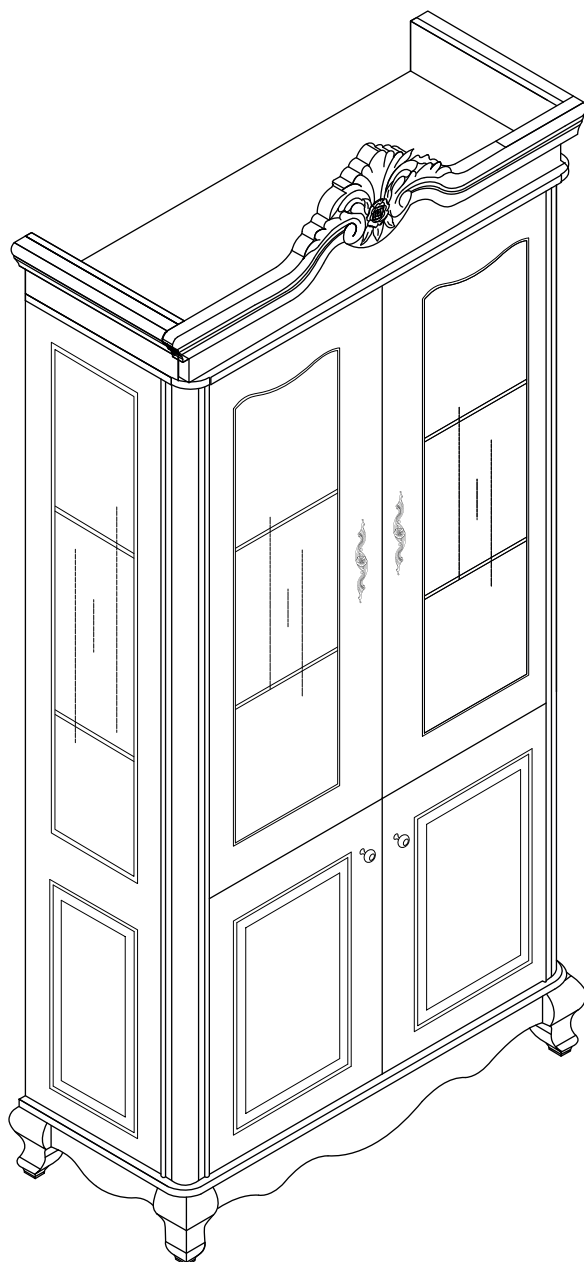
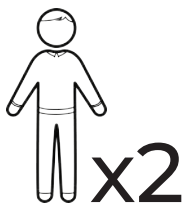
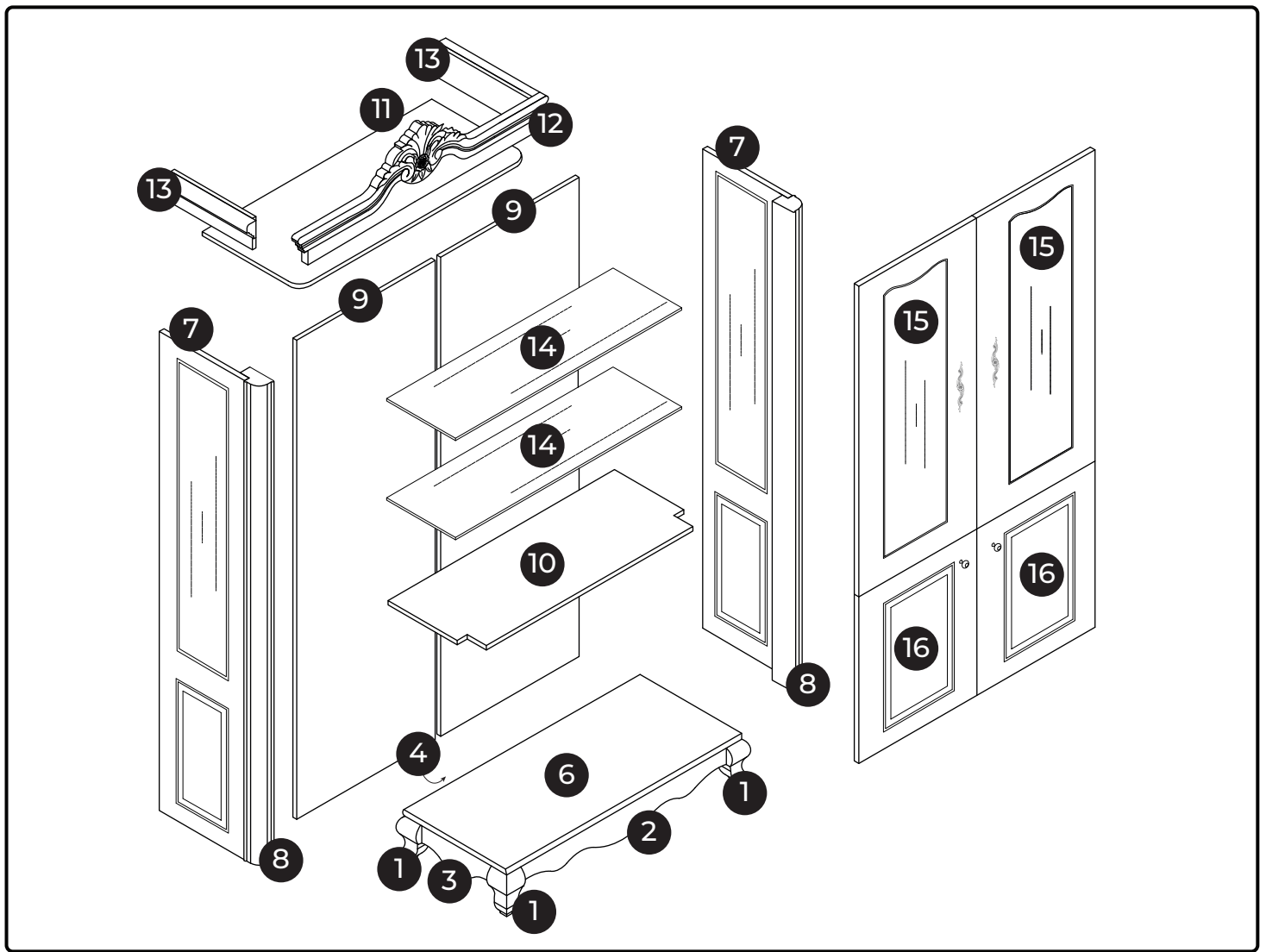


916-2

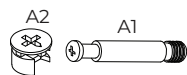
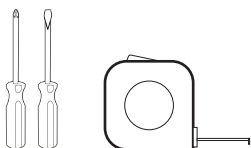
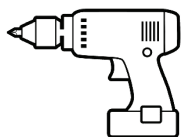
1000 x 430 x 2070 mm



BEMONDI



x2



A x 49
 Ø 15 mm



B x 20
 Ø 8 x 30 mm



C x 2
 128 mm



D x 2



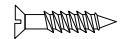
E x 40
 Ø 4 x 10 mm



F x 8
 Ø 6 x 45 mm



G x 4
 Ø 4 x 25 mm



H x 6
 Ø 3.5 x 25 mm



I x 8
 Ø 3.5 x 15 mm



J x 8
 Ø 6 x 18 mm



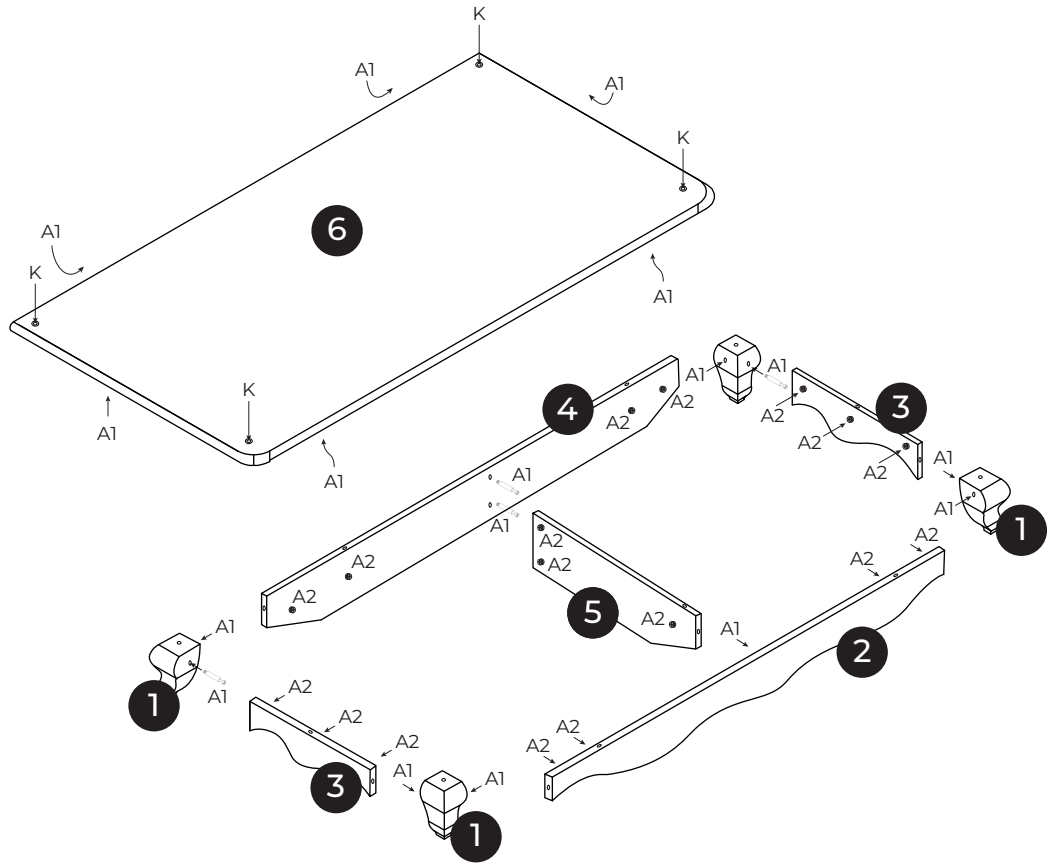
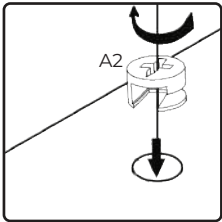
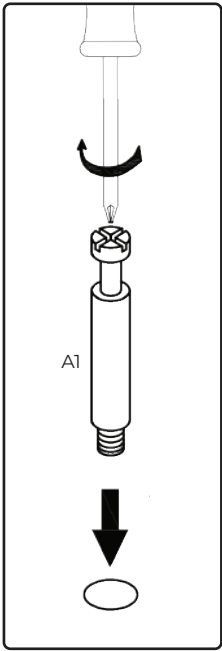
K x 4
 Ø 8 x 25 mm


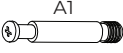


M x 2
 17 x 17 x 26 mm



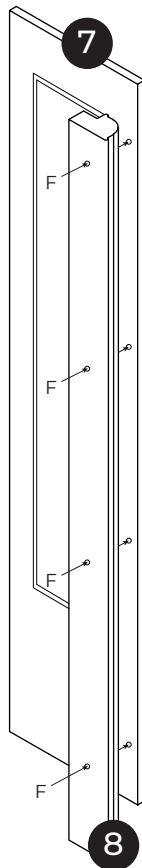
O x 10



A   x17

K  x4

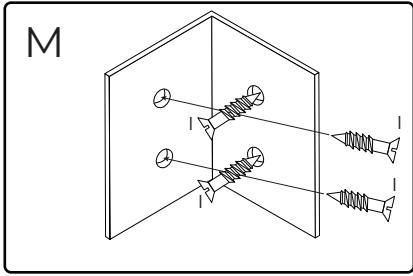
1



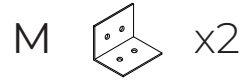
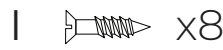
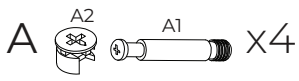
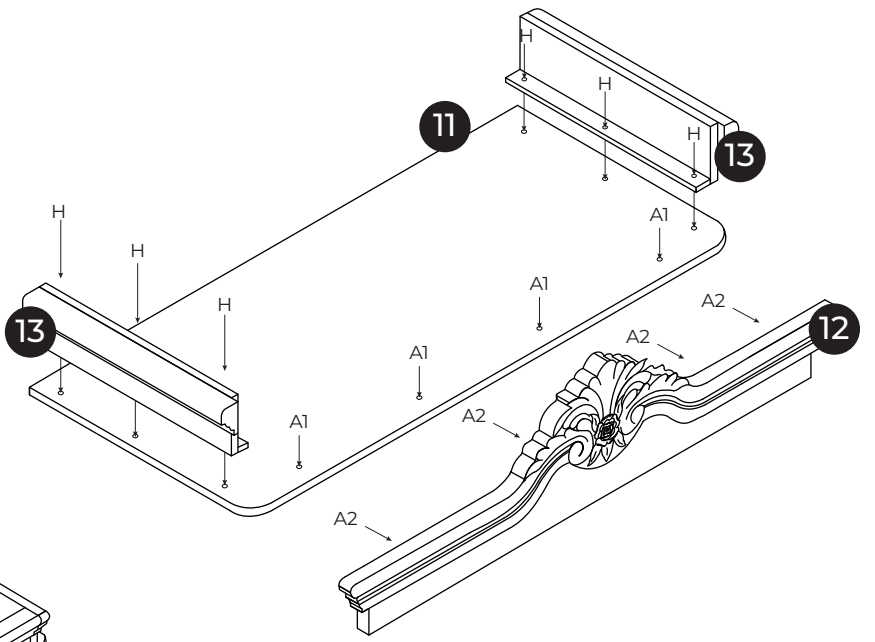
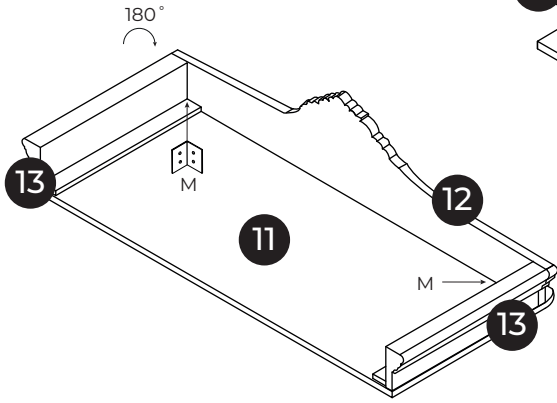
x2

F  x8

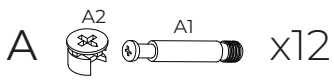
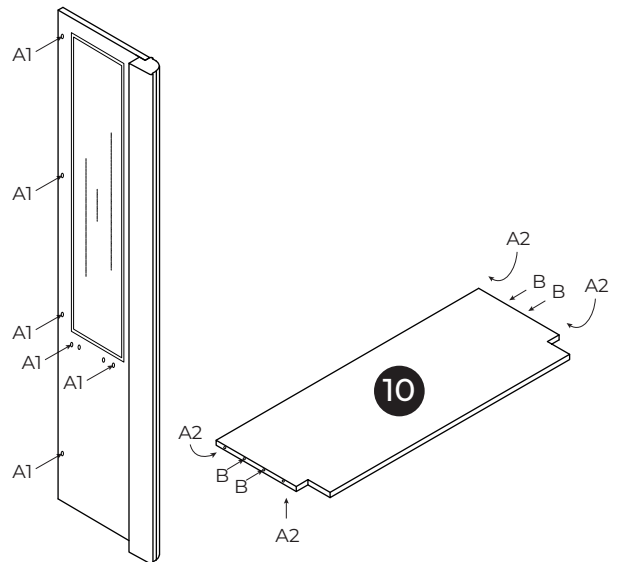
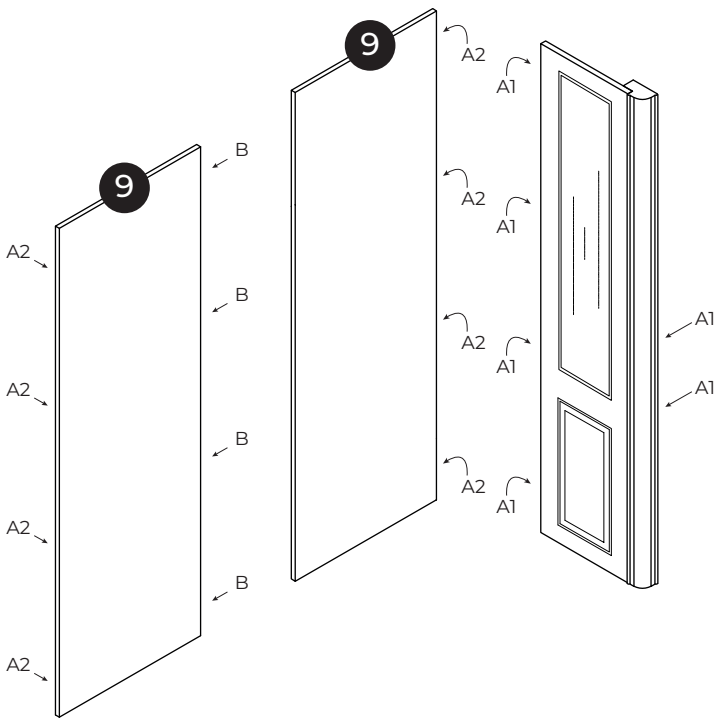
2



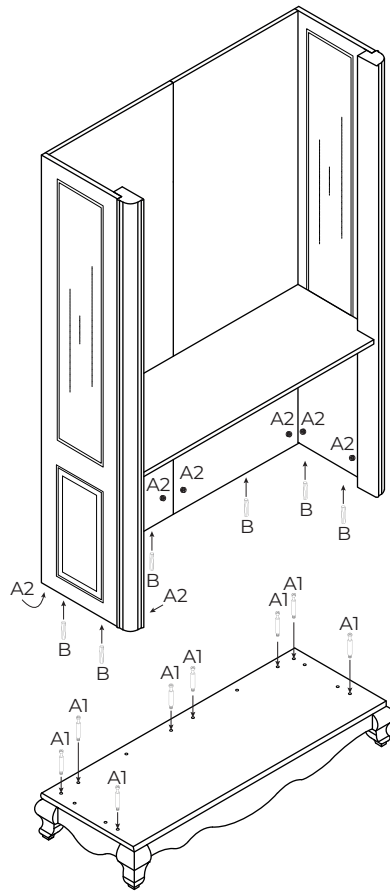
x2


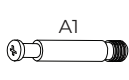


3



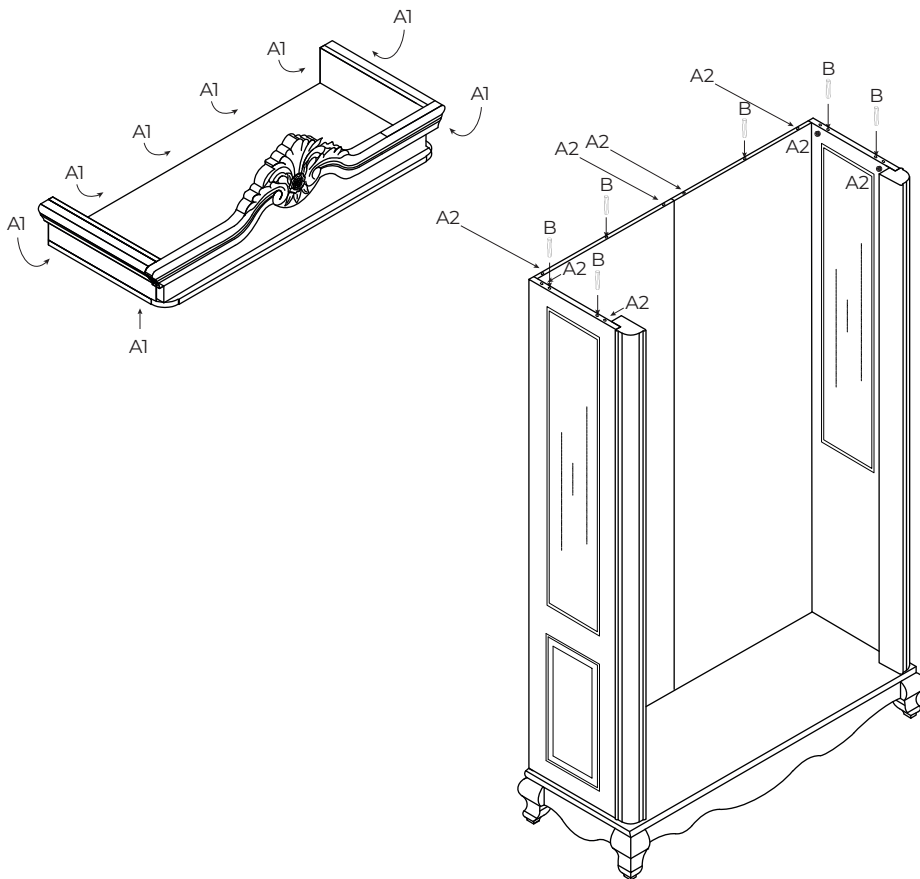
4


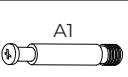


A   x8

B  x6

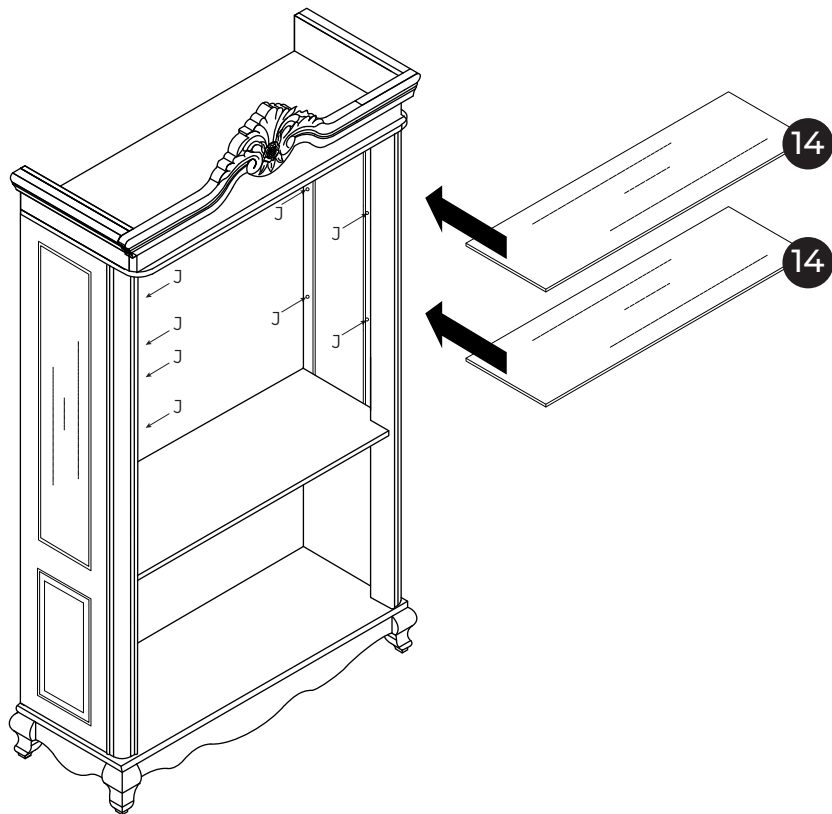
5




A   x8

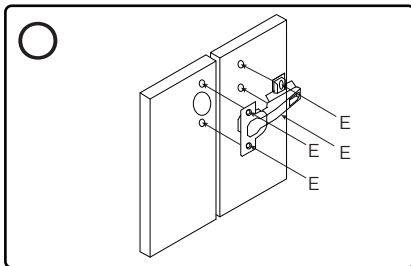
B  x6

6

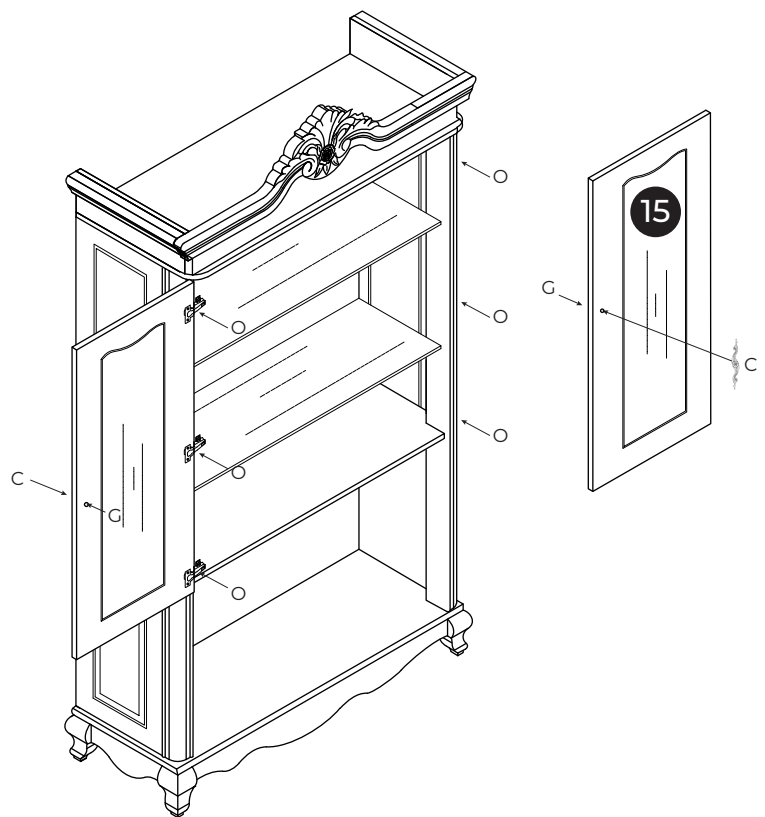


J  x8

7

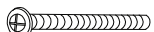


x6



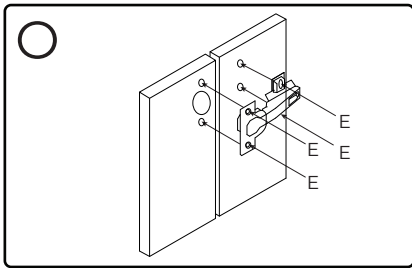
C  x2

E  x24

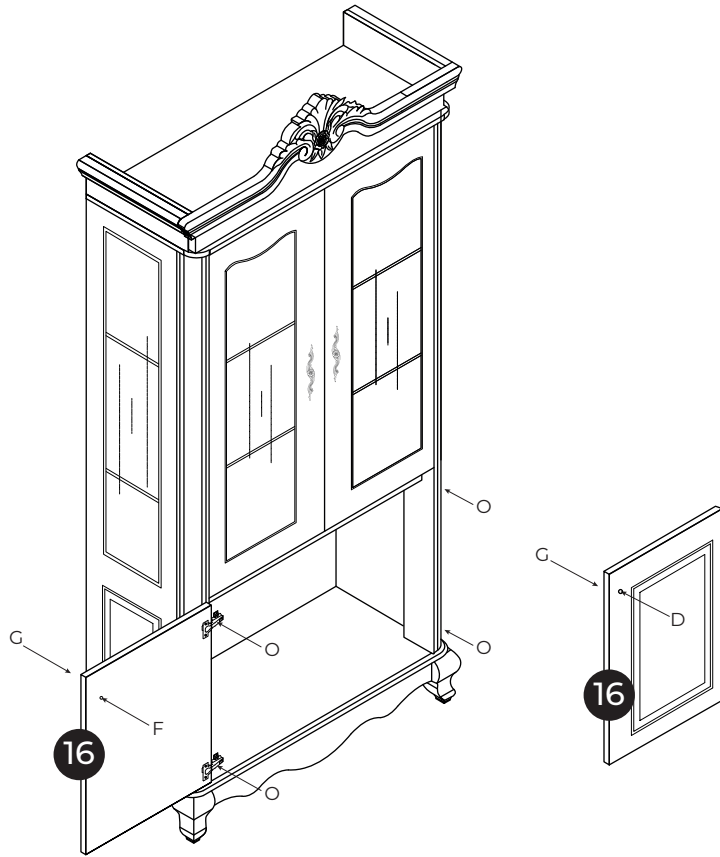
G  x2


O  x6

8




x4



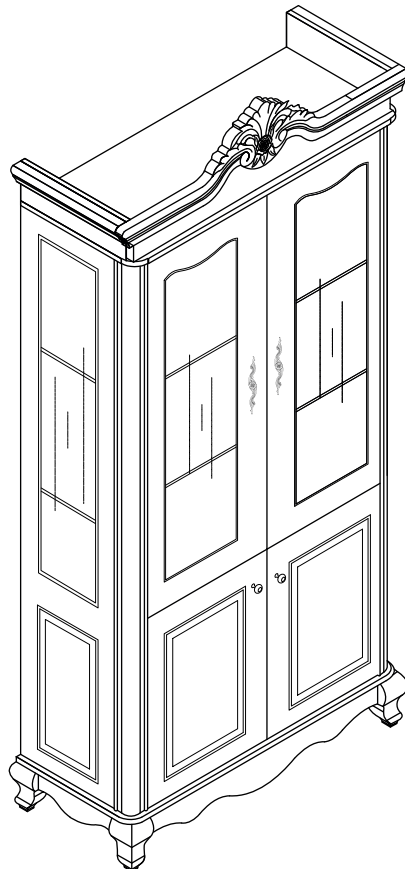
D  x2

E  x16

G  x2

O  x4

9



10