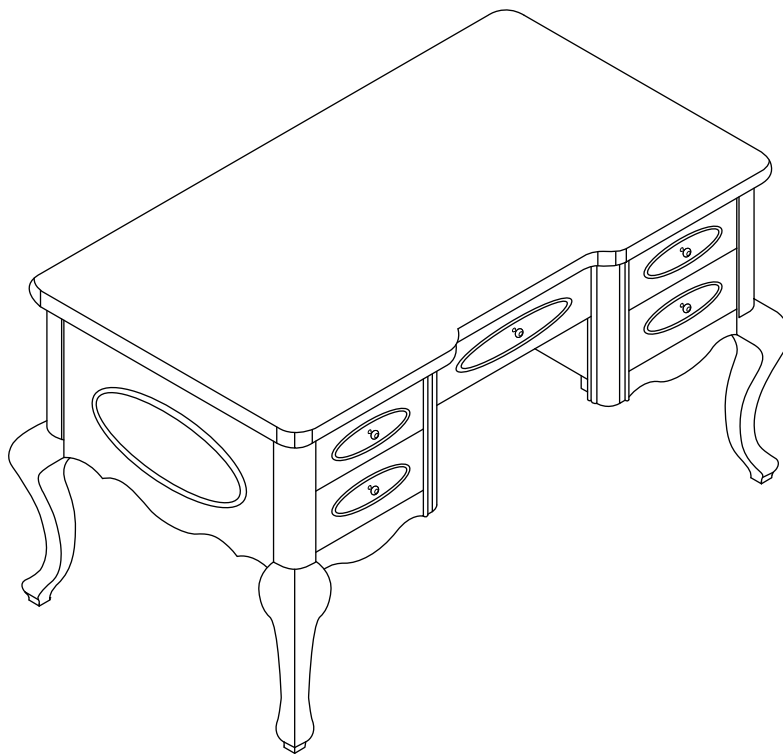
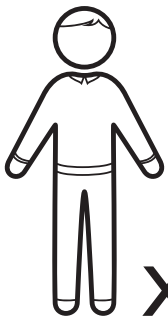
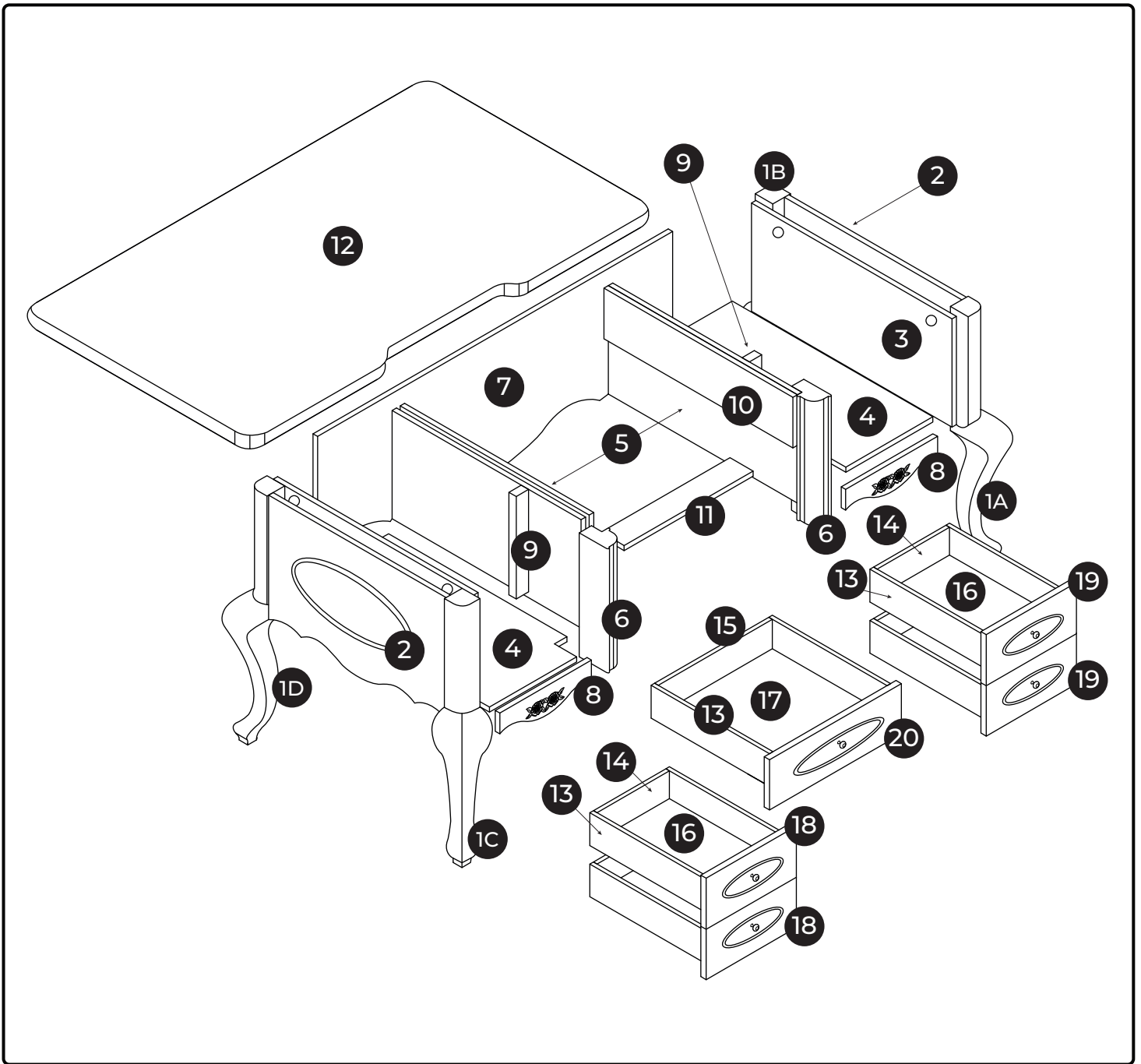


912

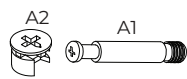
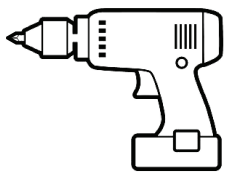
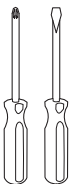
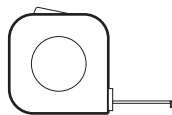
1400 x 800 x 780 mm



BEMONDI



x2



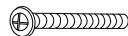
A x 66
 Ø 15 mm



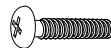
B x 20
 Ø 8 x 30 mm



C x 5



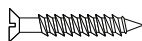
D x 5
 Ø 4 x 25 mm



E x 12
 Ø 6 x 20 mm



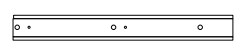
F x 8
 Ø 6 x 45 mm



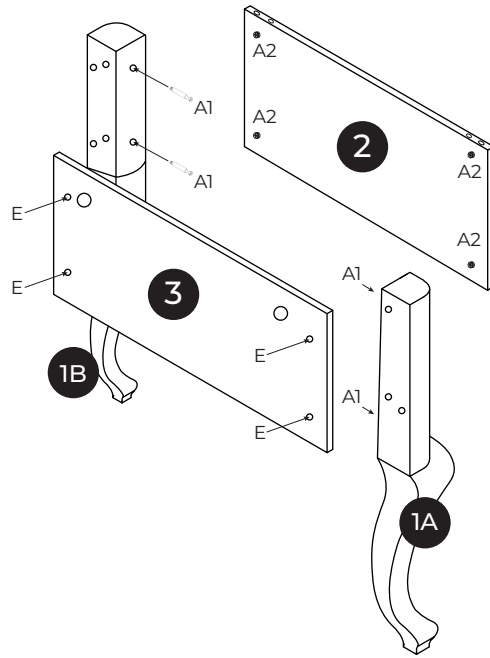
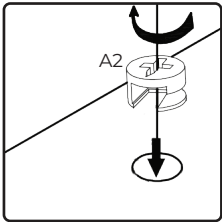
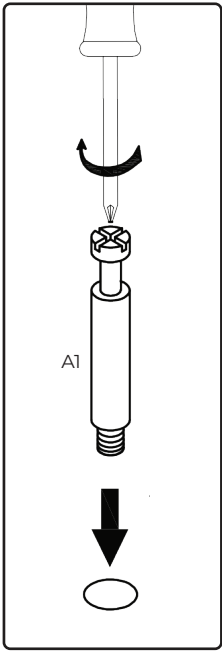
G x 20
 Ø 3.5 x 35 mm




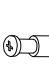
H x 40
 Ø 3.5 x 15 mm

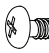


S x 10
 300 x 35 mm

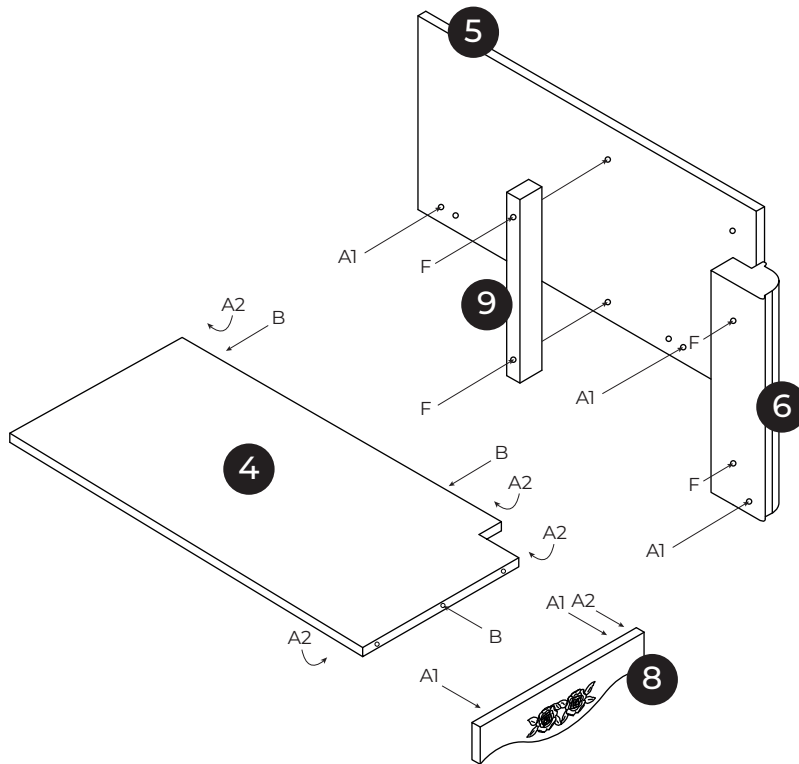


x2


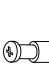
A   x8

E  x8

1



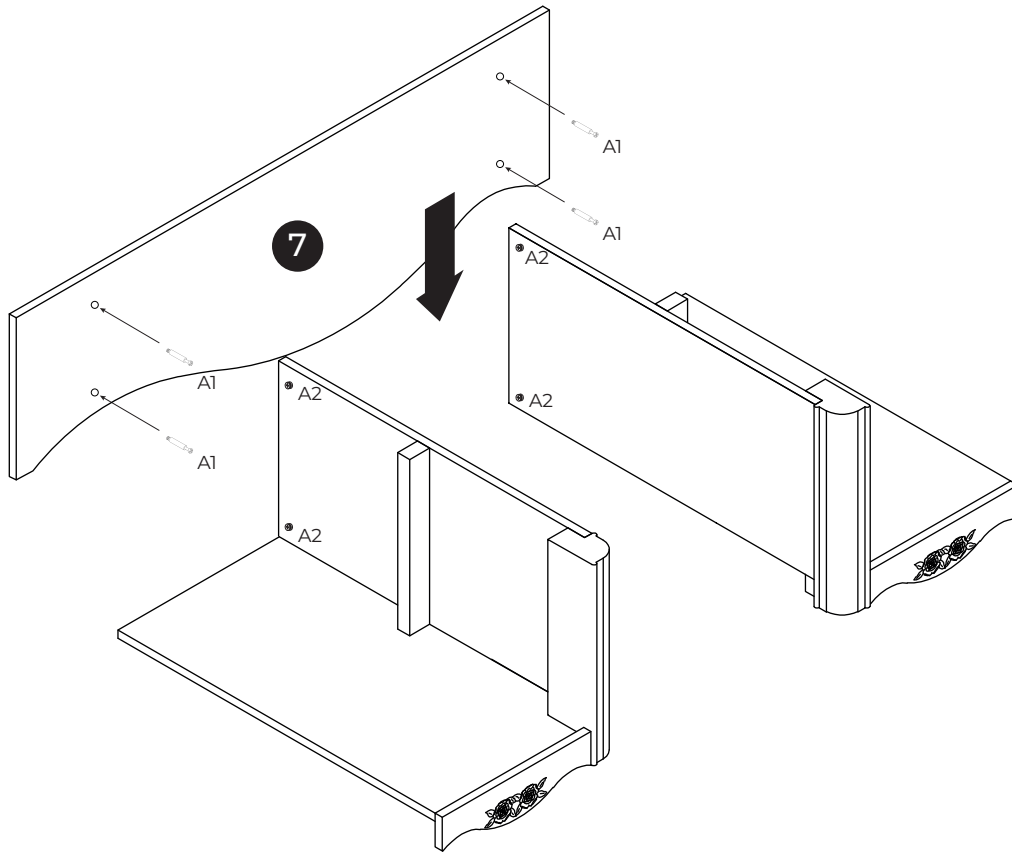
x2


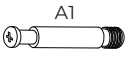
A   x10

B  x6

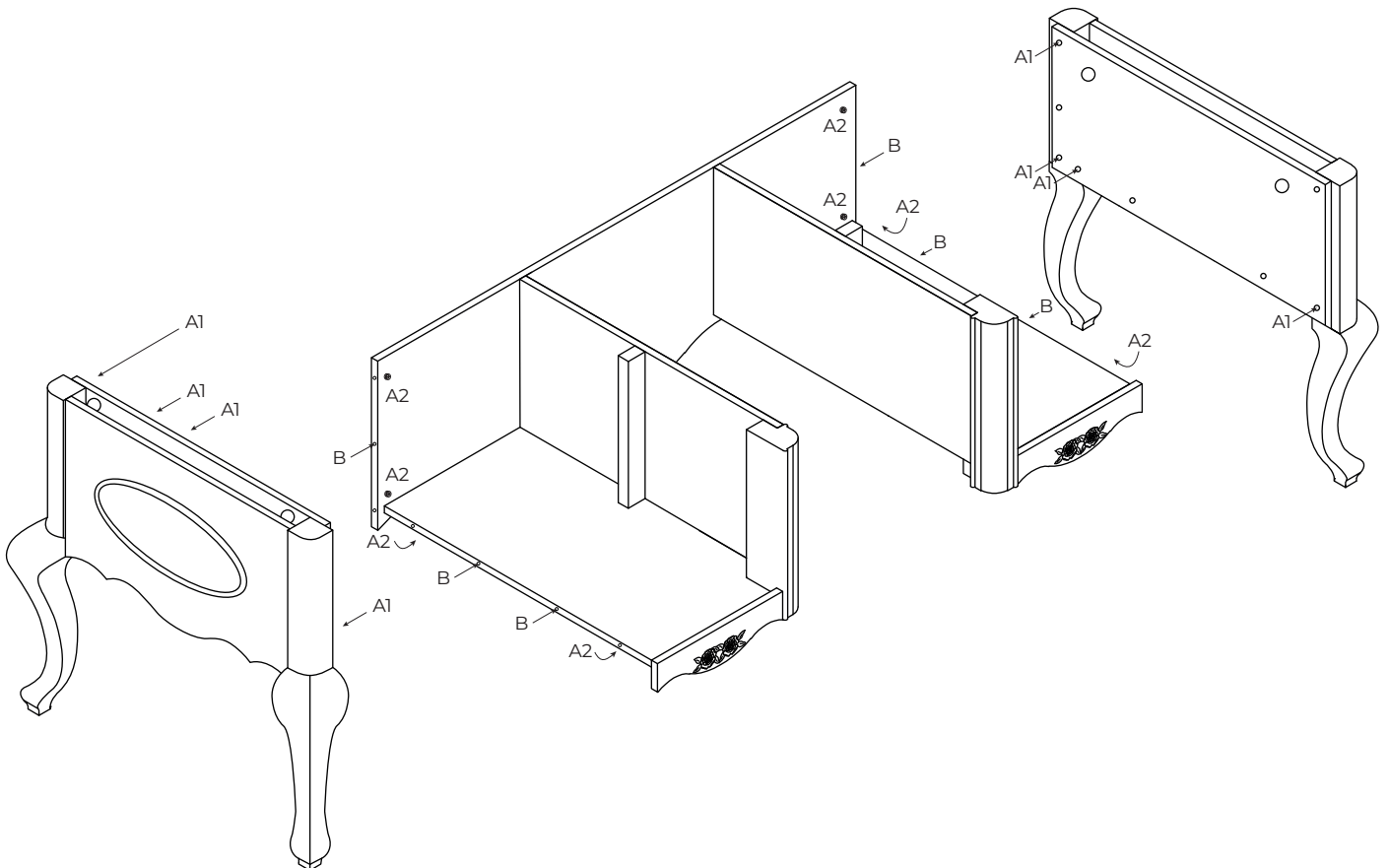
F  x8


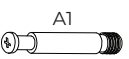
2



A   x4

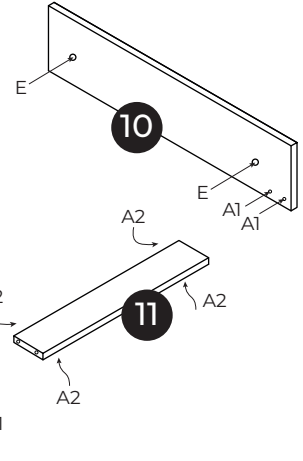
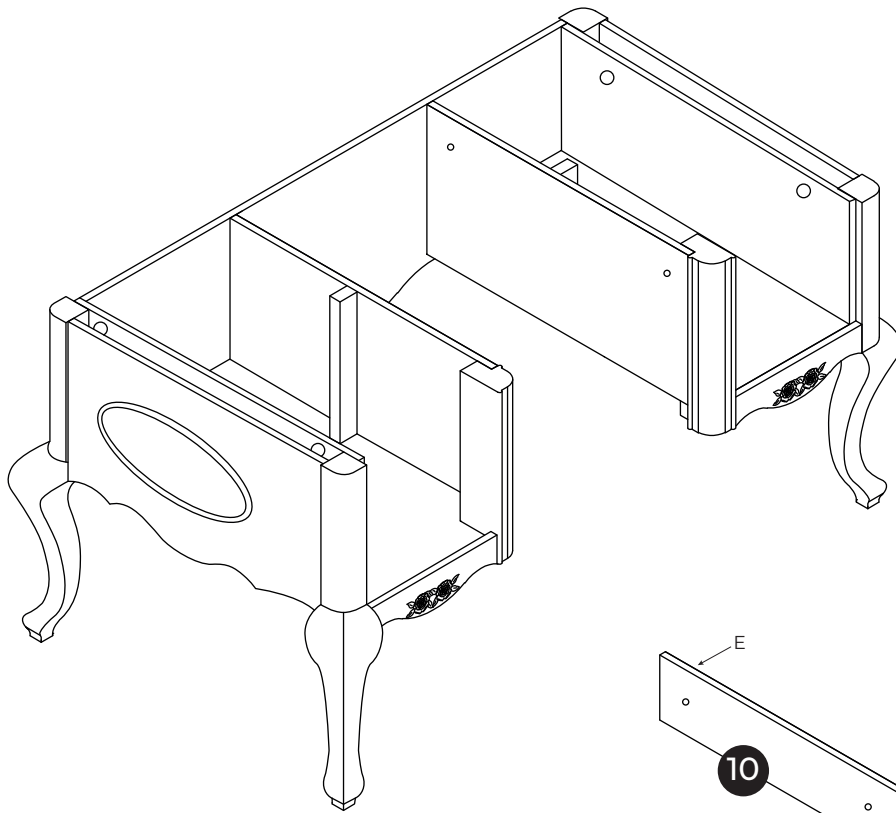
3

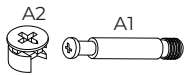


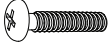
A   x8

B  x6

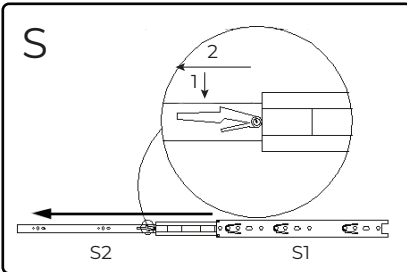
4



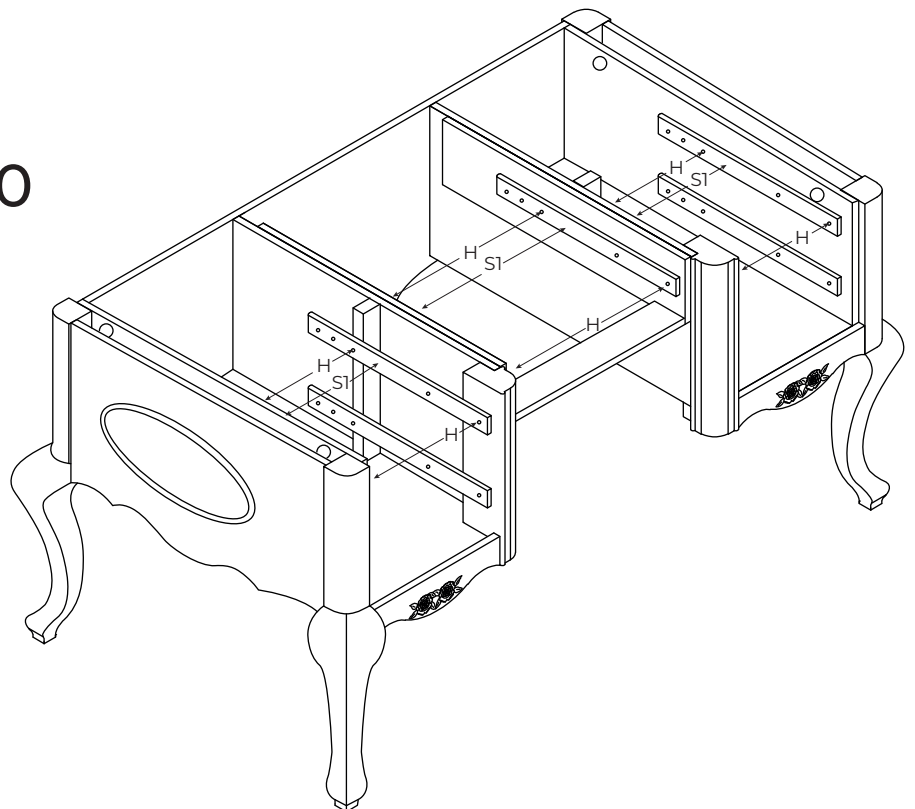
A  x4


E  x4

5



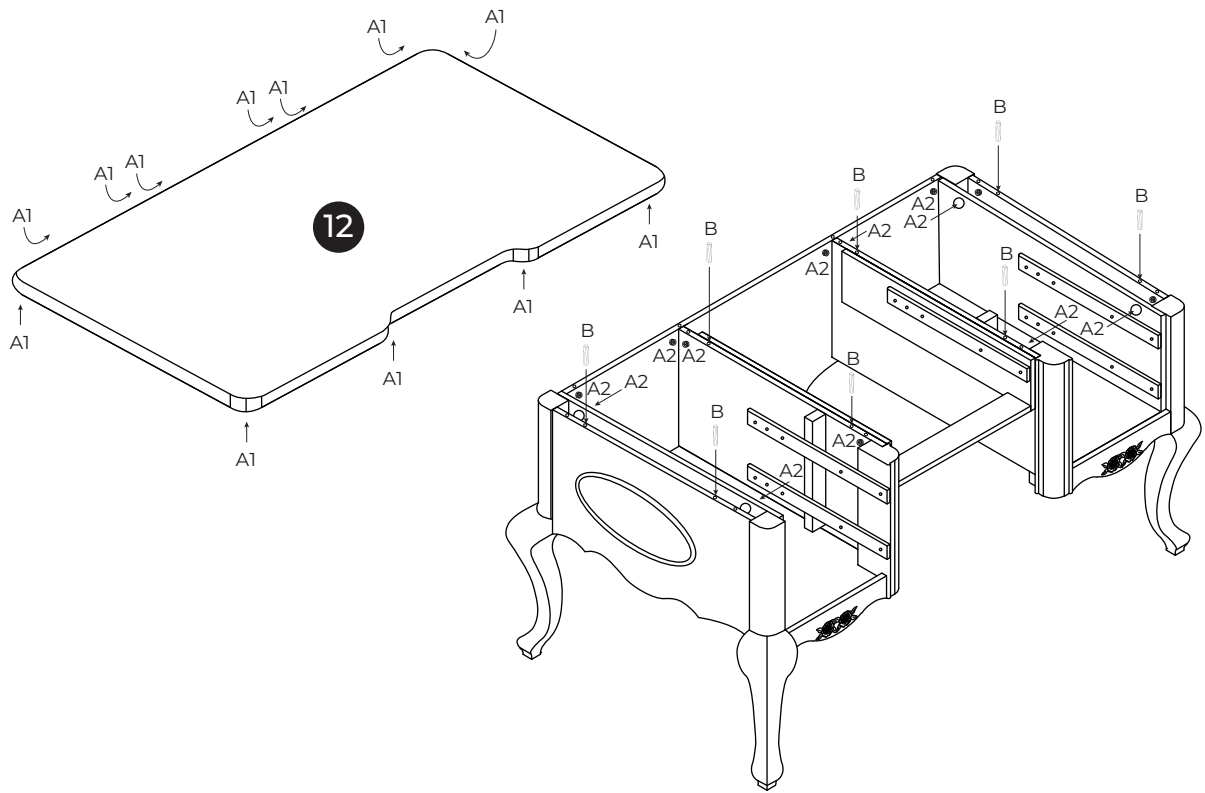
x10

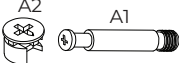


H  x20

S2  x10

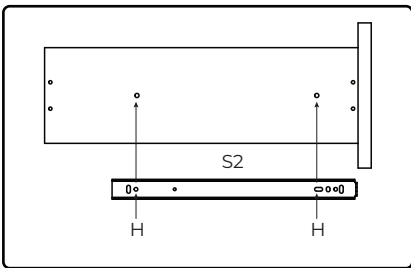
6



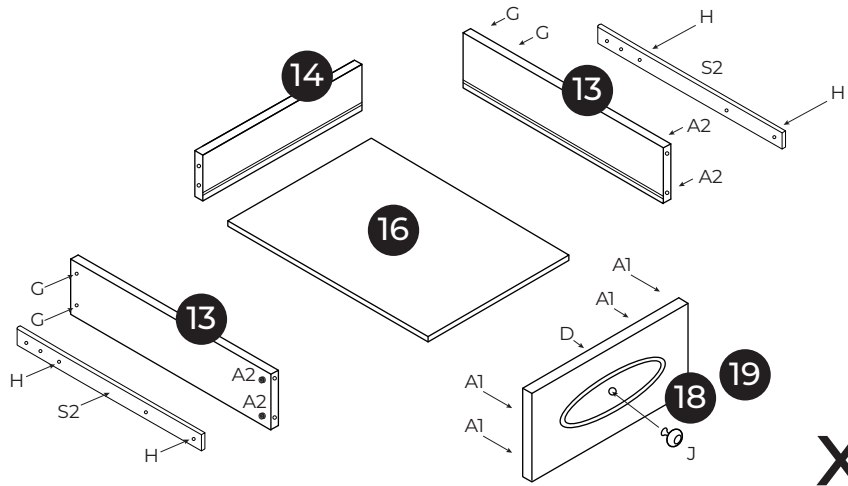
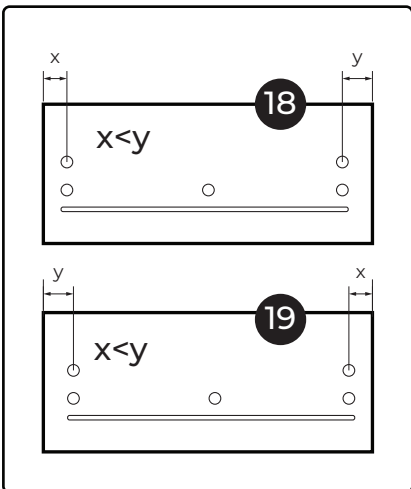
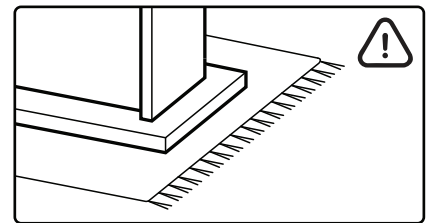
A  x12

B  x8

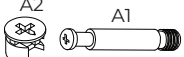
7




x8




x4

A  x16

C  x4

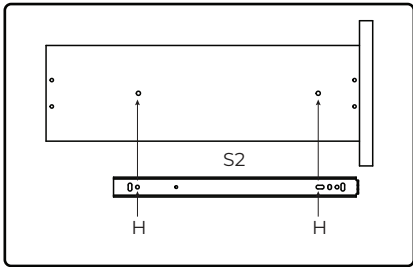
D  x4

G  x16

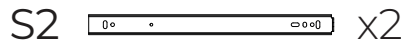
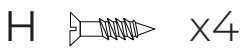
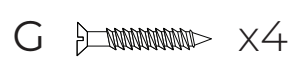
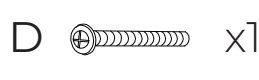
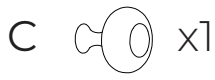
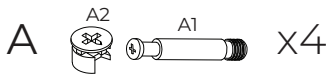
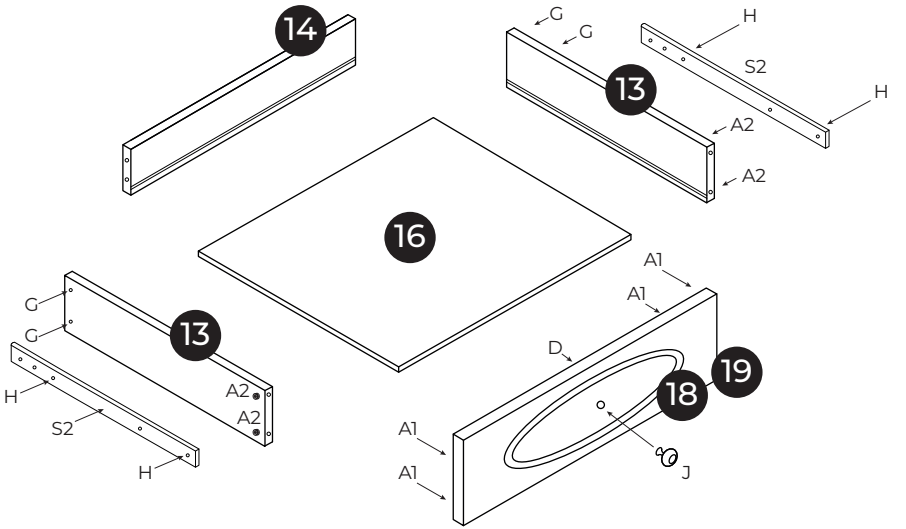
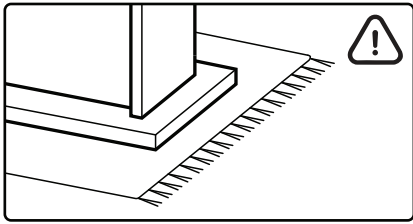
H  x16

S2  x8

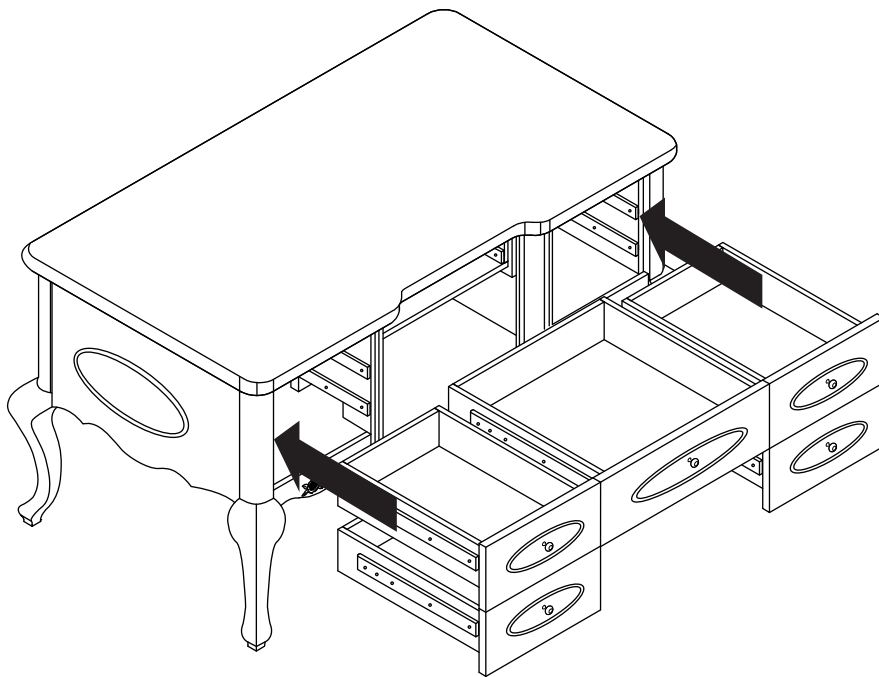
8



x2



9



10

