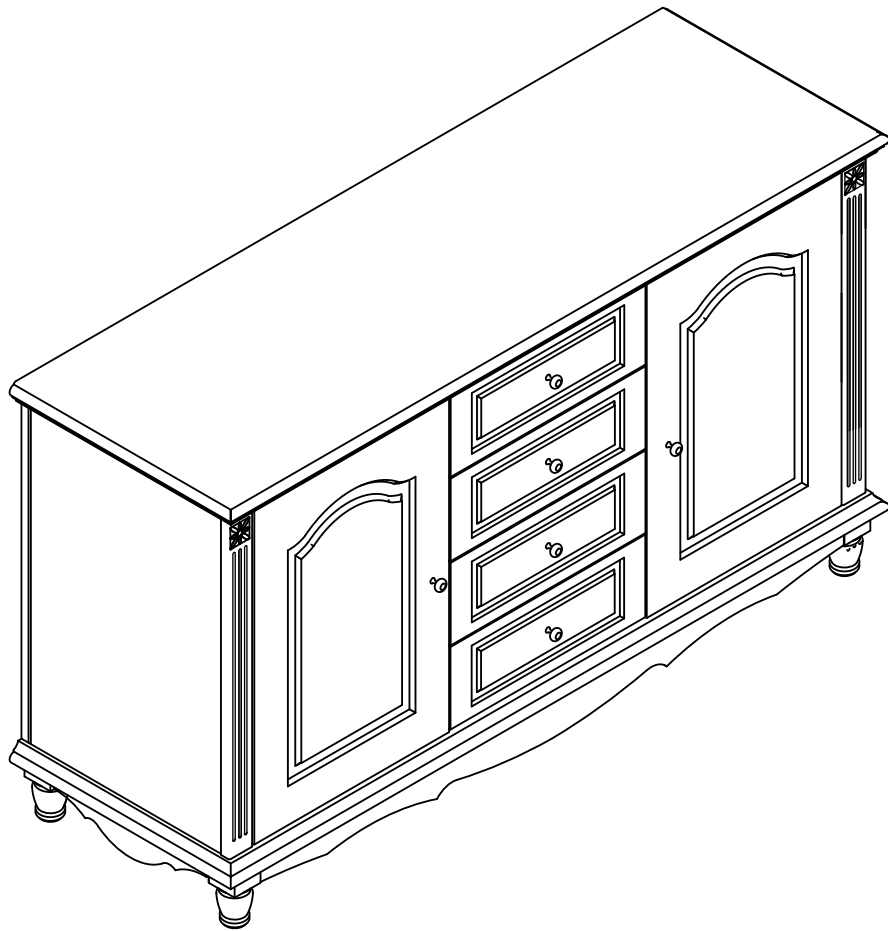
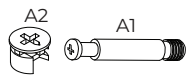
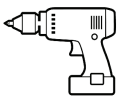
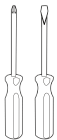
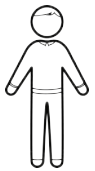
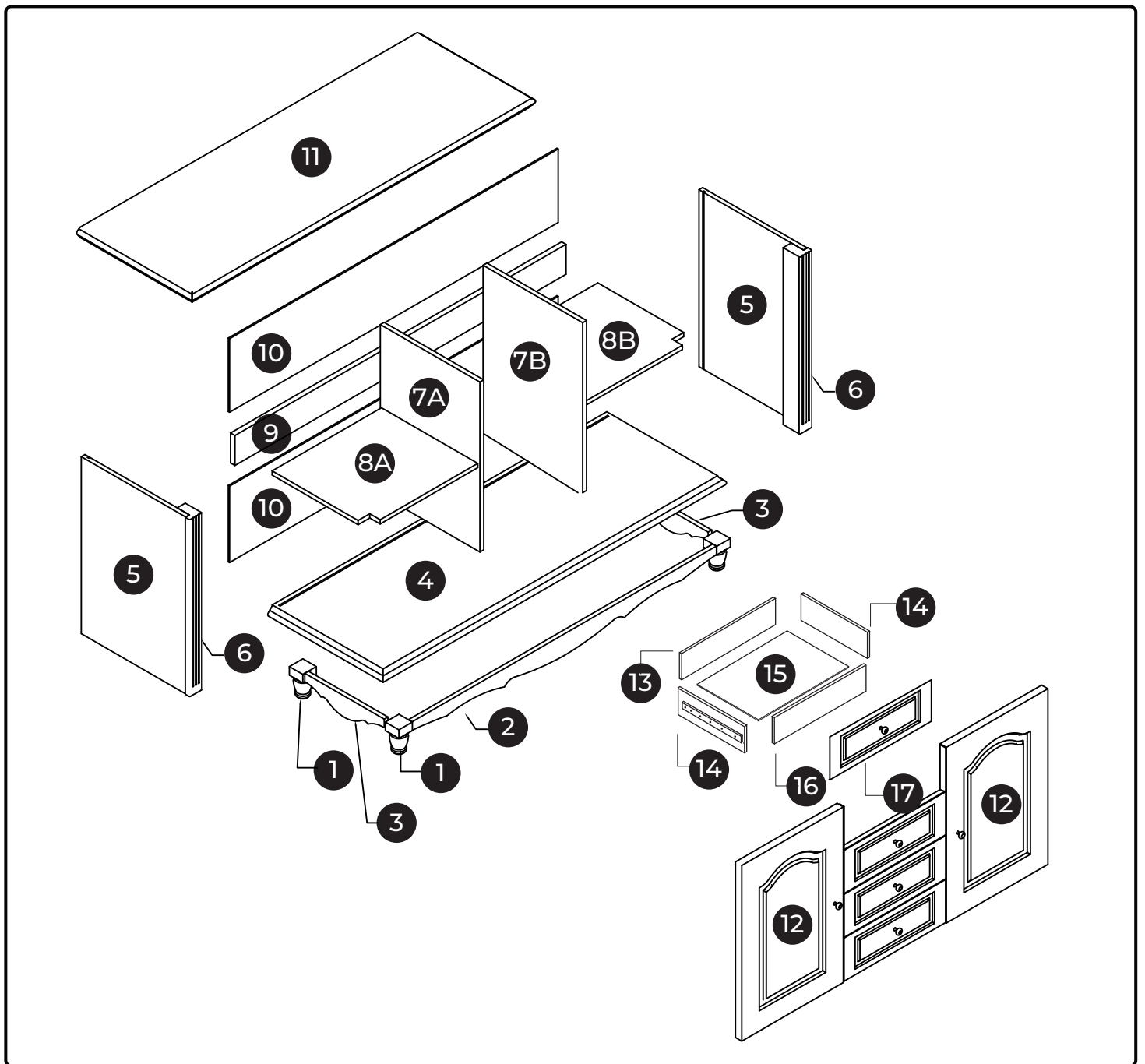


887

1400 x 470 x 800 mm



BEMONDI



A x42
 Ø 15 mm



B x24
 Ø 8 x 30 mm



C x6



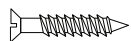
D x6
 Ø 4 x 22 mm



E x16
 Ø 4 x 10 mm



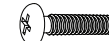
F x16
 Ø 3,5 x 12 mm



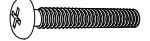
G x32
 Ø 3,5 x 30 mm



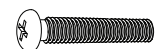
H x16
 Ø 3,5 x 15 mm



I x8
 Ø 6 x 20 mm



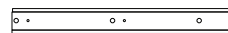
J x4
 Ø 6 x 45 mm



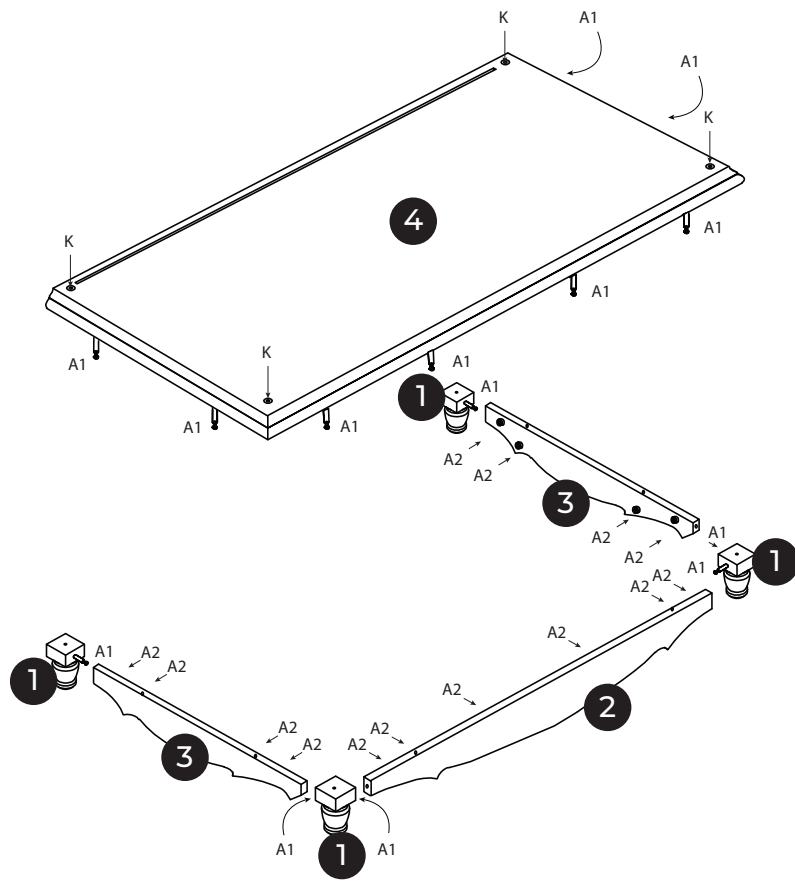
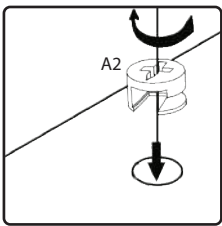
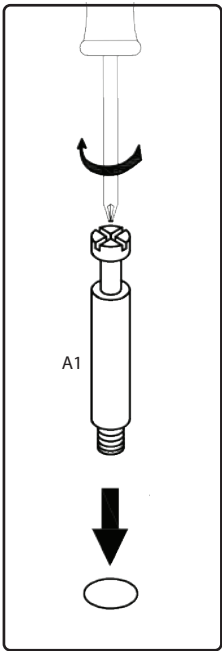
K x4
 Ø 8 x 50 mm


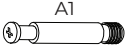


L x4



S x8
 300 x 35 mm

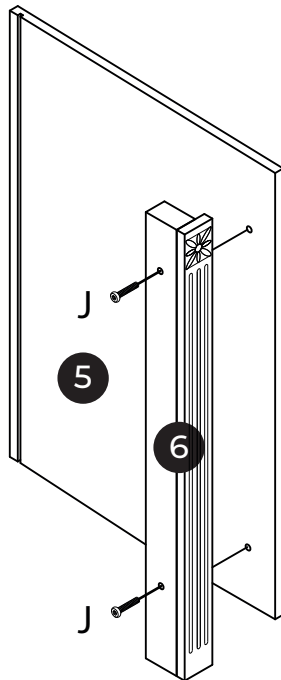


A   x14

K  x4

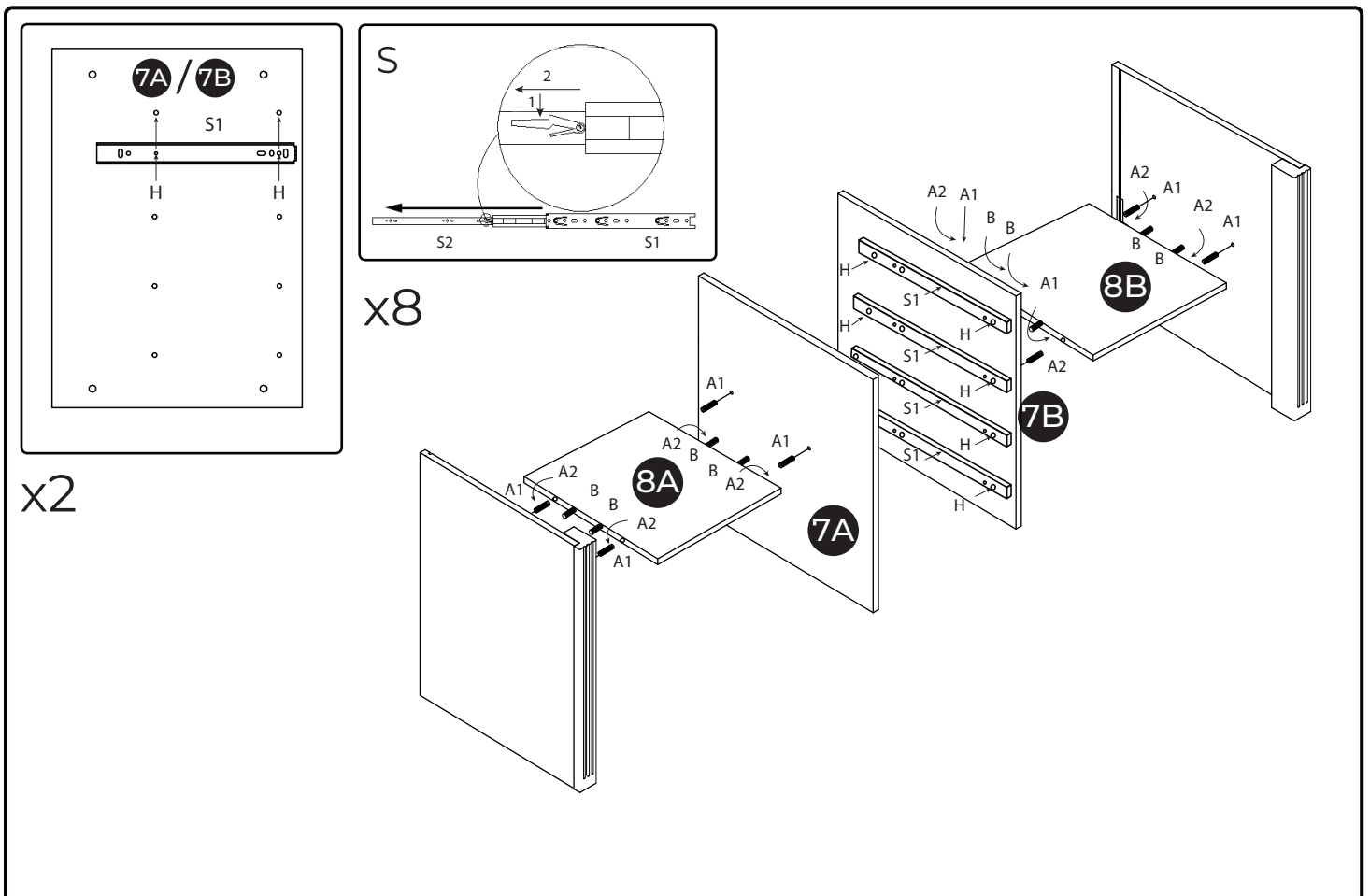
1


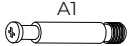

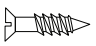
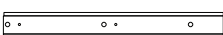
x2



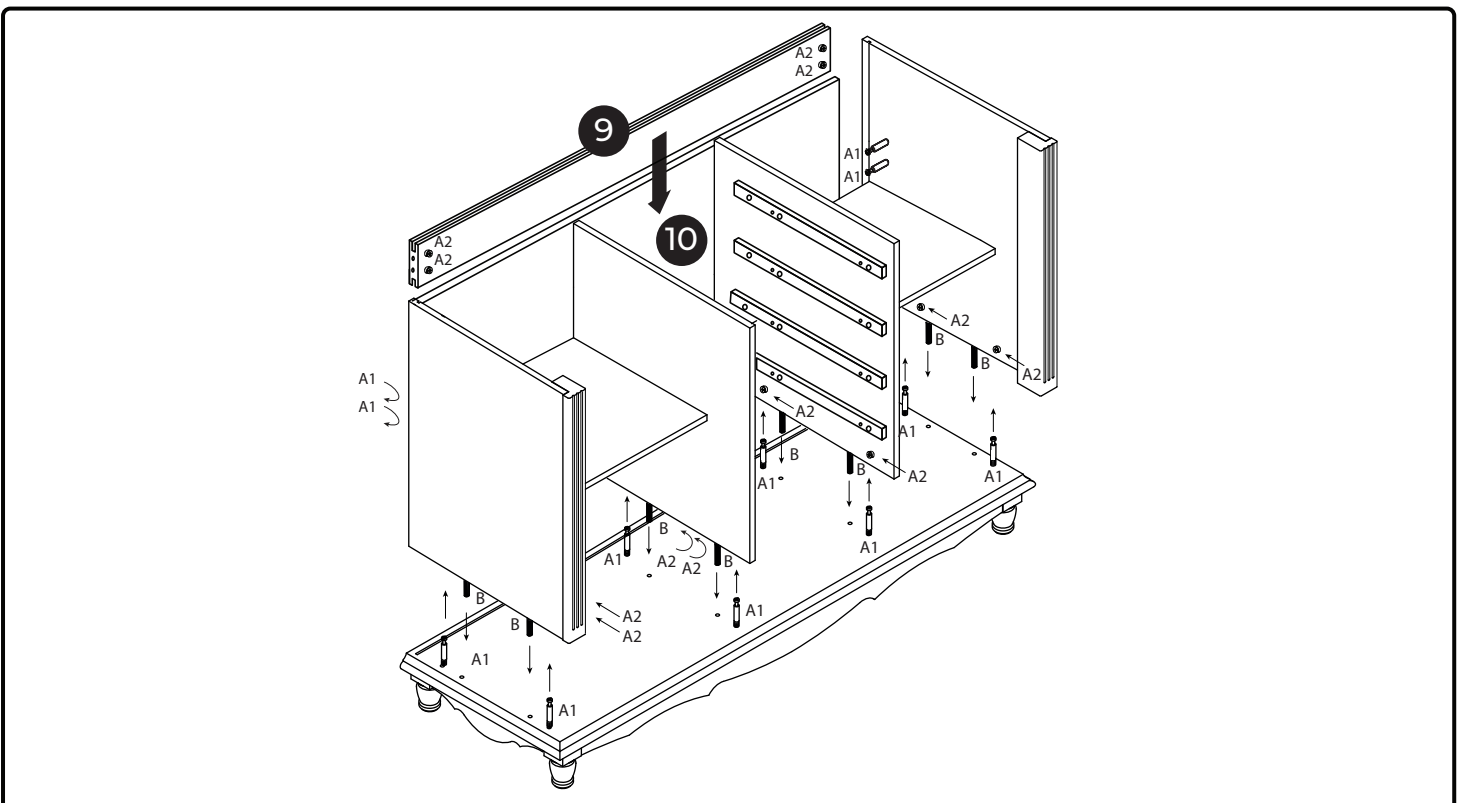
J  x4

2



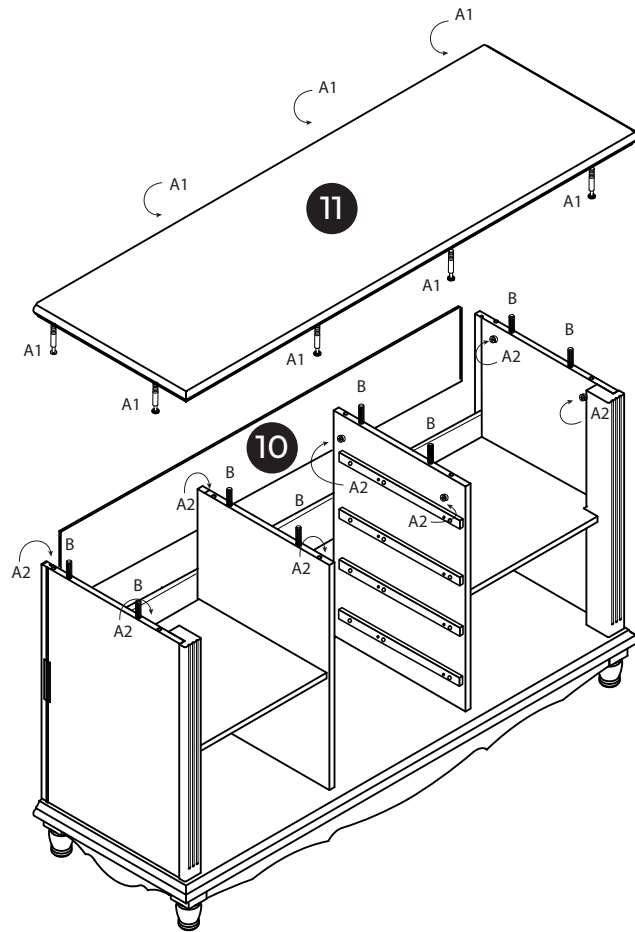
| | |
|---|--|
| <p>A   x8</p> | <p>B  x8</p> |
| <p>H  x16</p> | <p>S1  x8</p> |

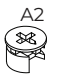
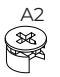
3



| | |
|--|---|
| <p>A   x12</p> | <p>B  x8</p> |
|--|---|

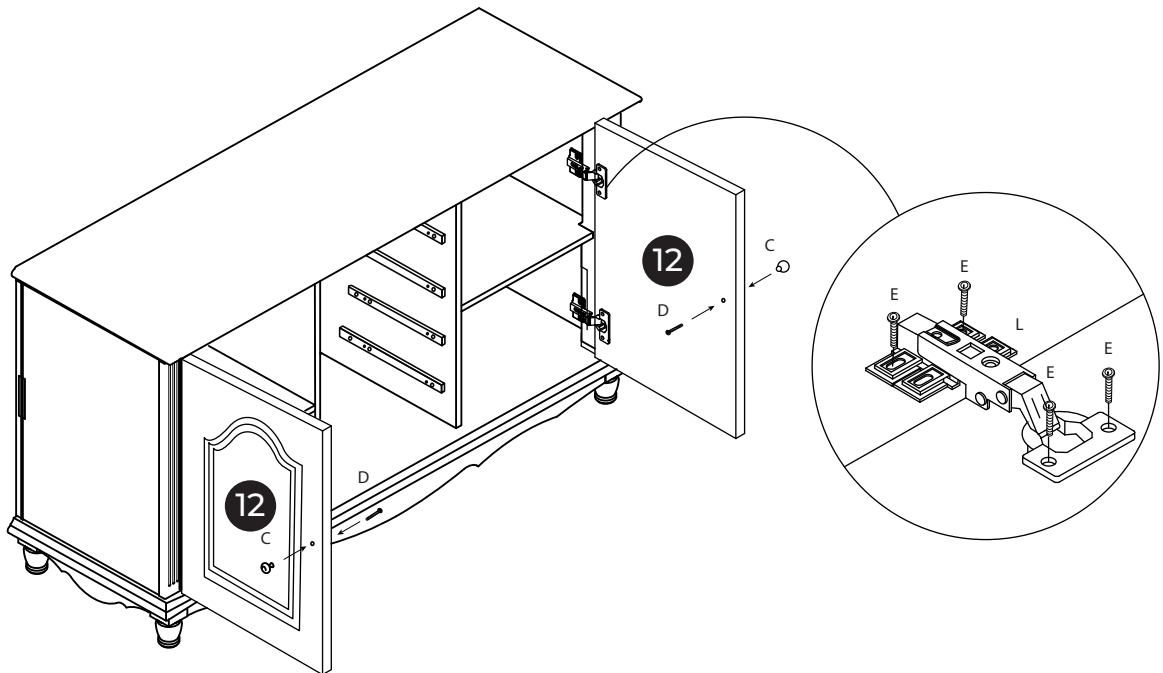
4

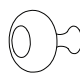


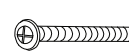
A   x8


B  x8

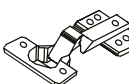
5



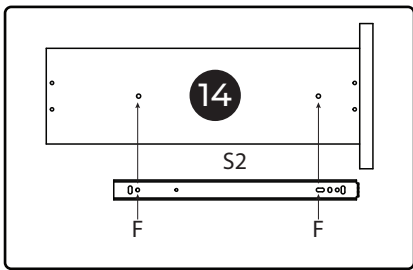
C  x2

D  x2

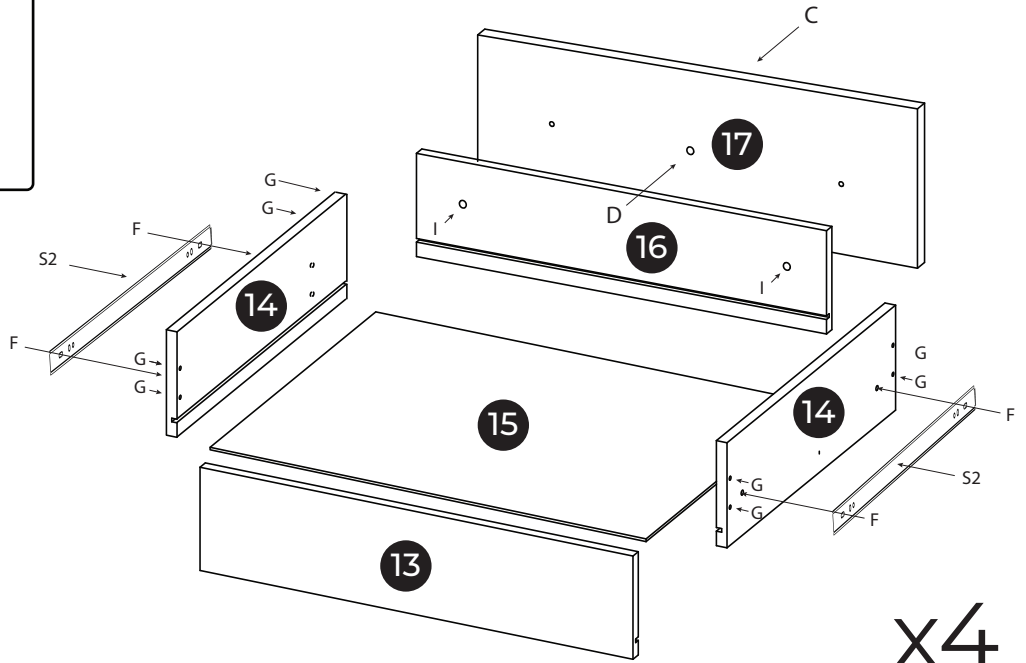
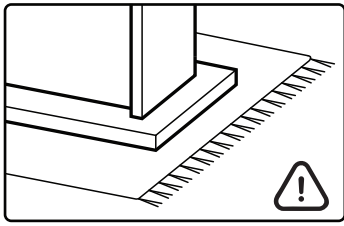
E  x16

L  x4

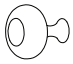
6

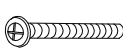


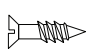
x8



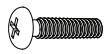
x4

C  x4

D  x4

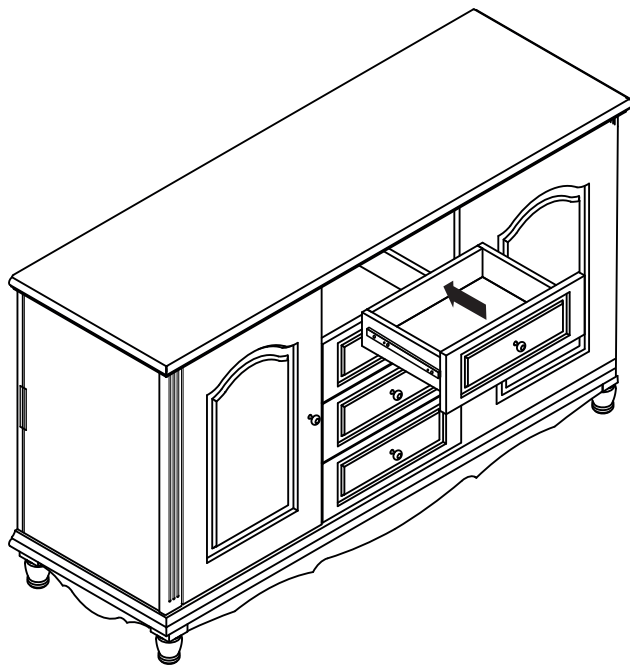
F  x16

G  x32

I  x8

S2  x8

7



8

