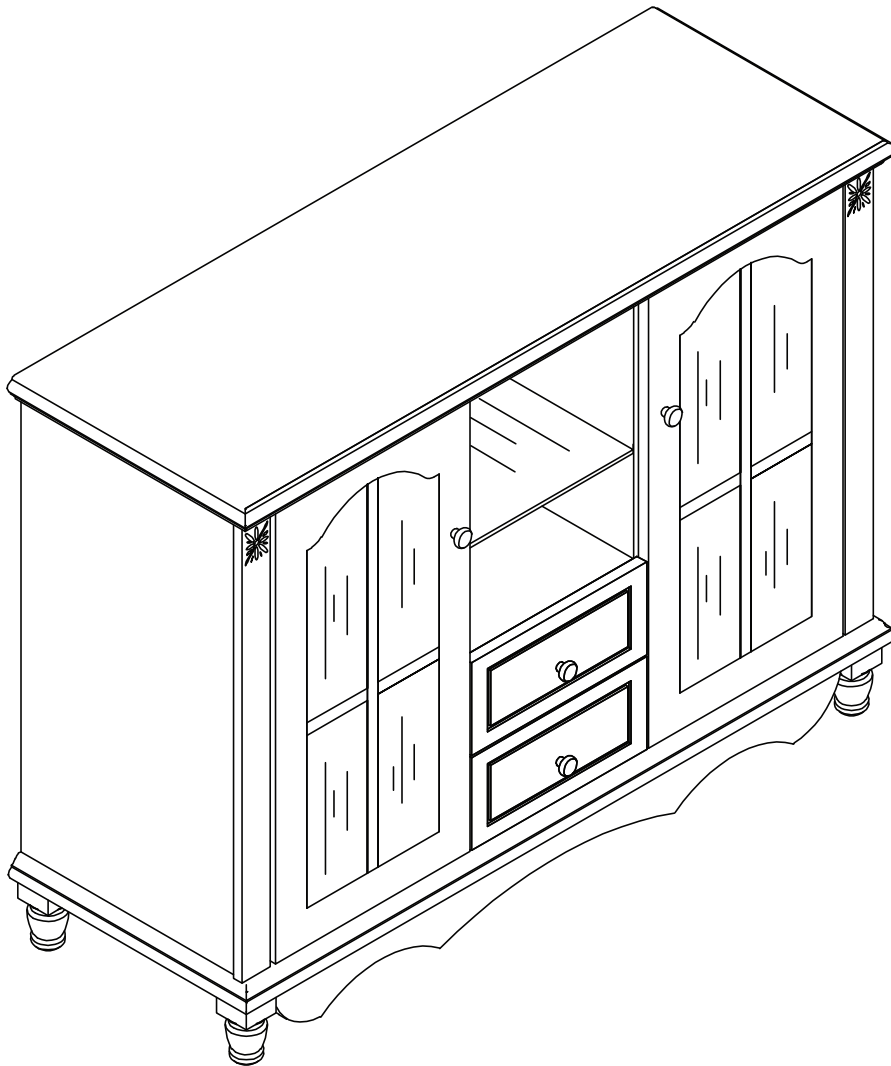
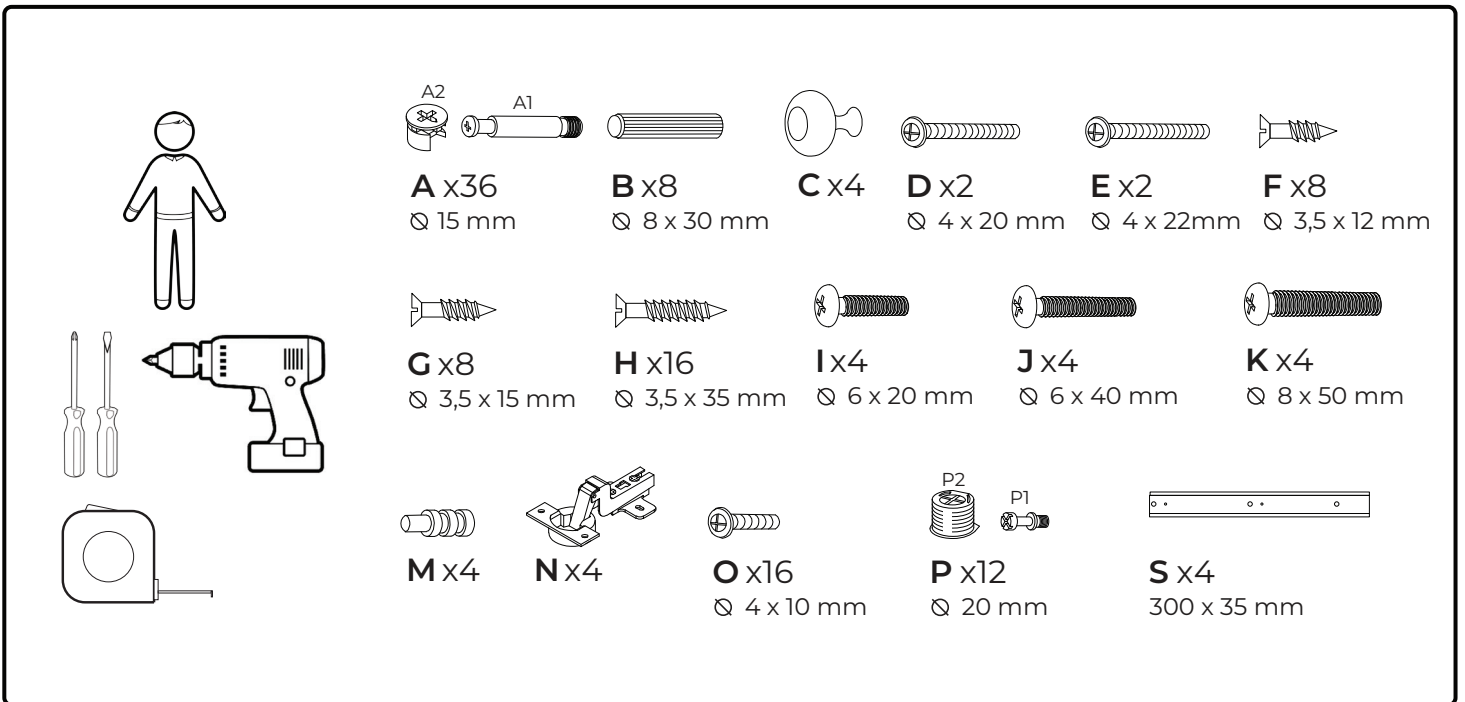
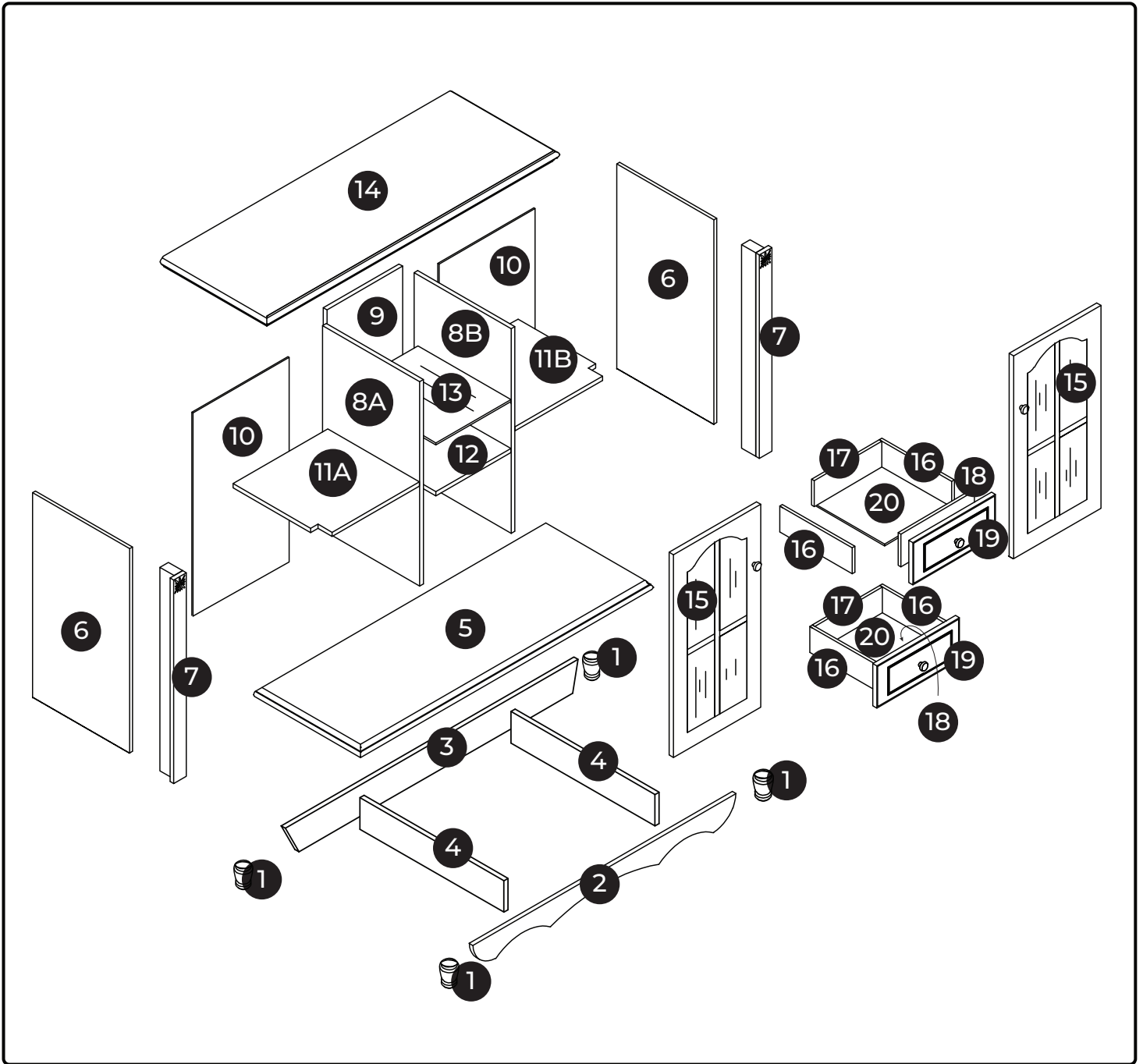


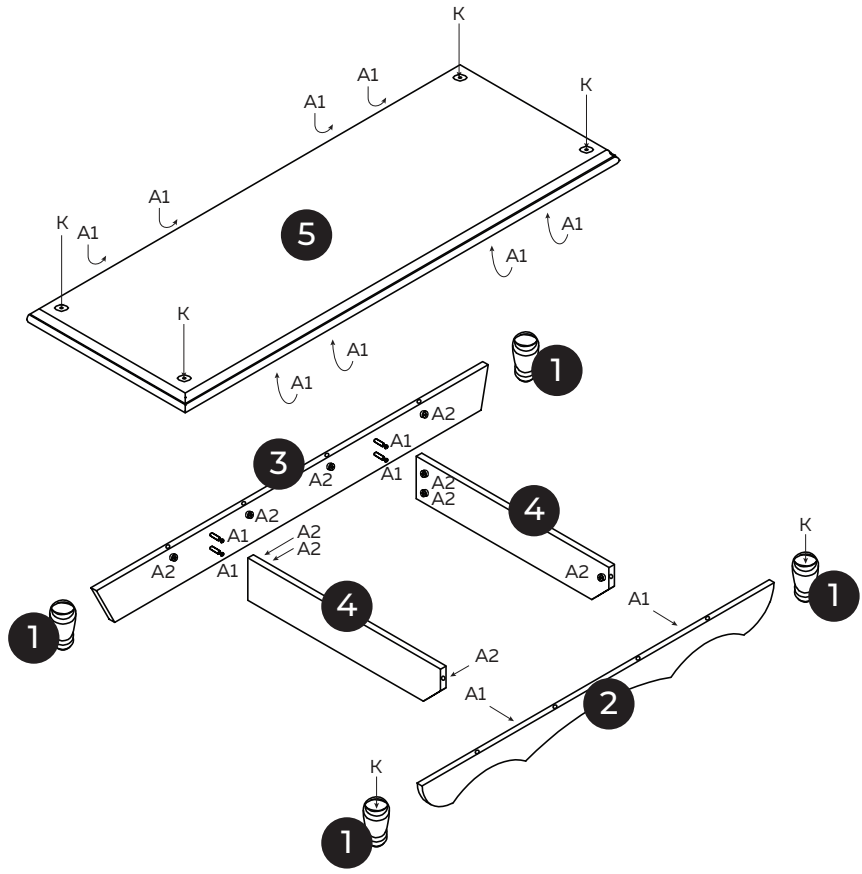
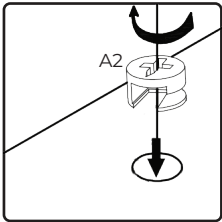
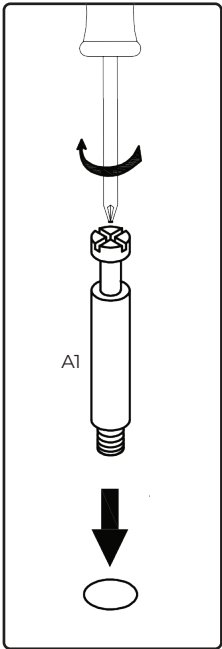
# 882


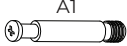
1200 x 440 x 900 mm




**BEMONDI**

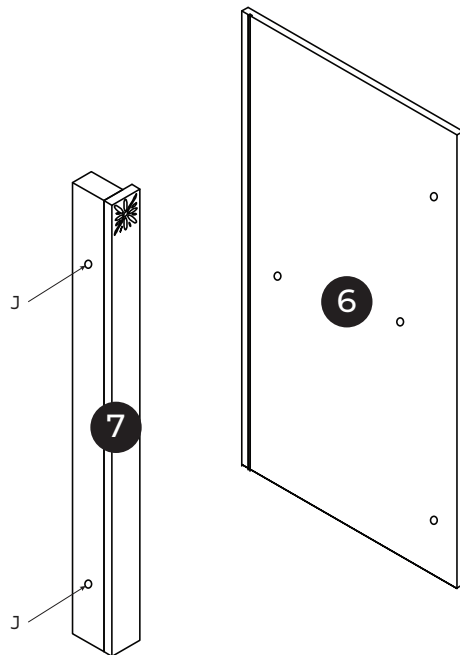




A   x14

K  x4

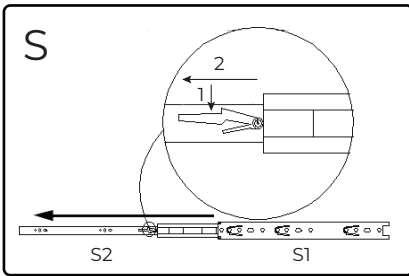
1



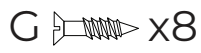
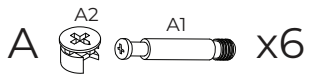
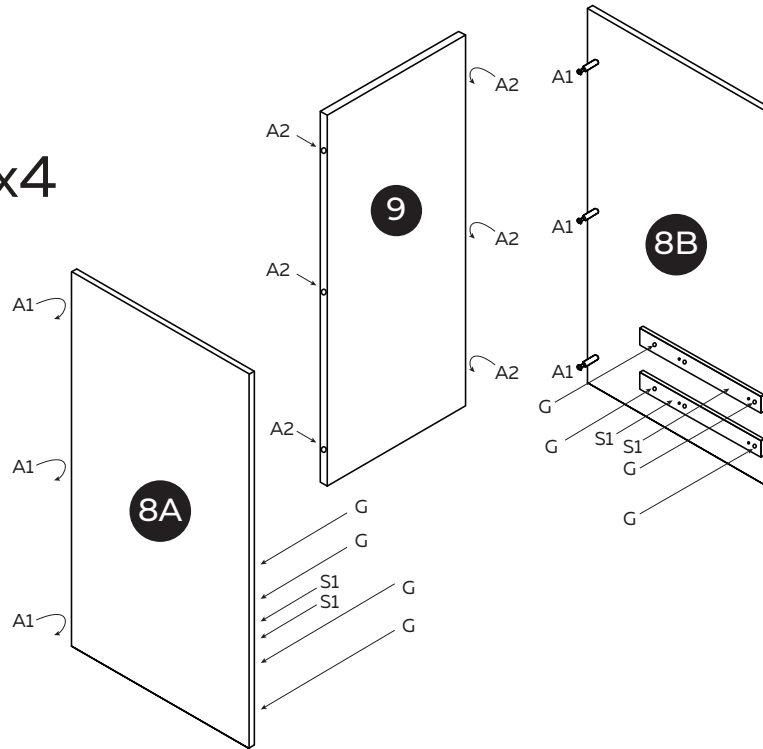
x2

J  x4

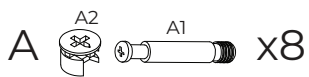
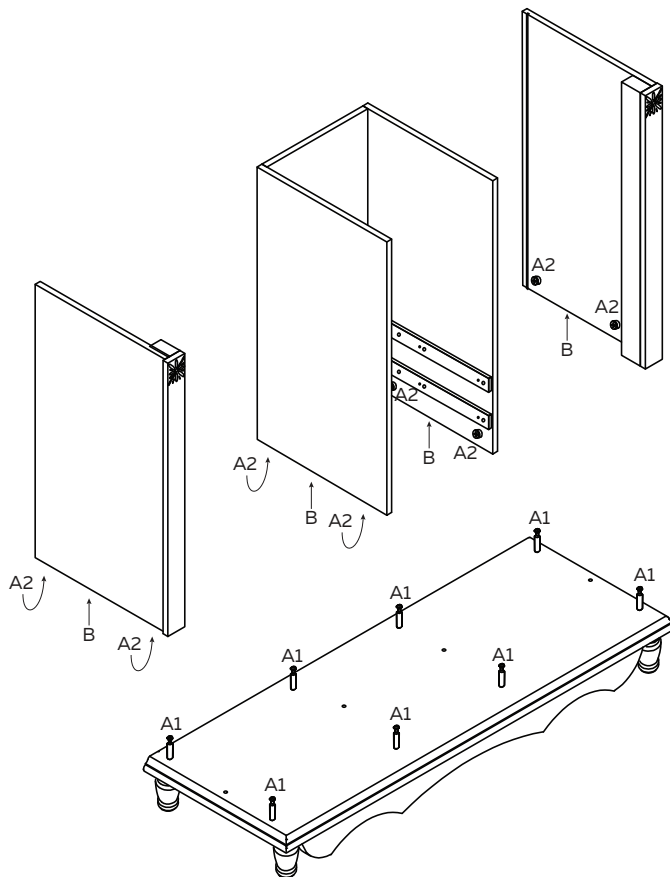
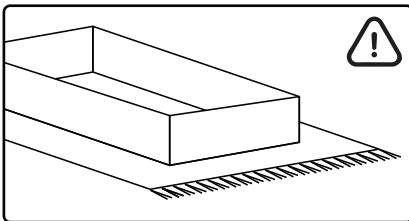
2



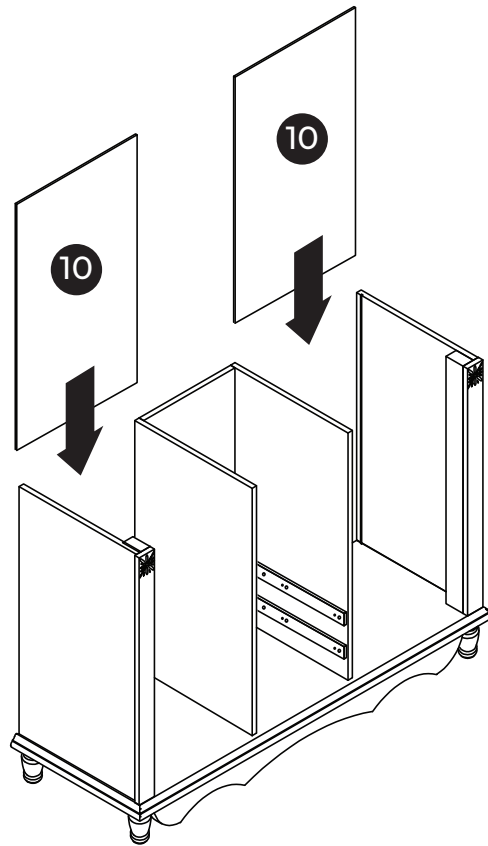
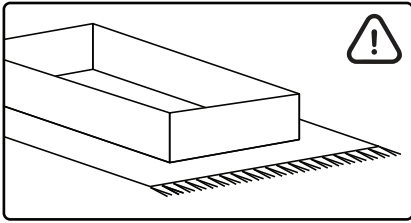
x4



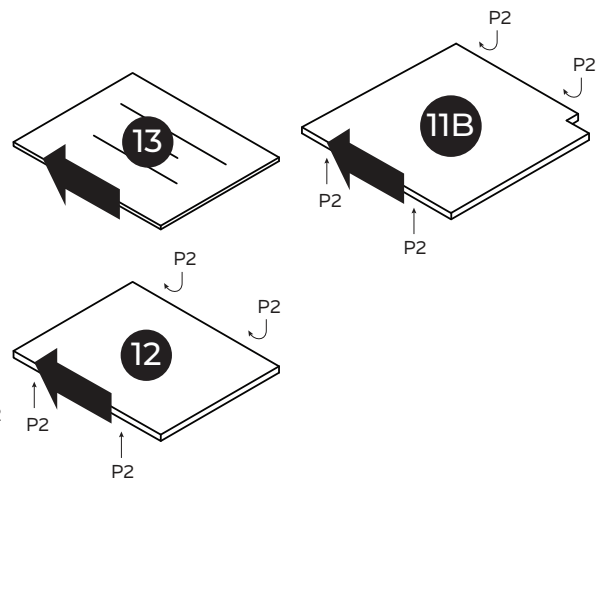
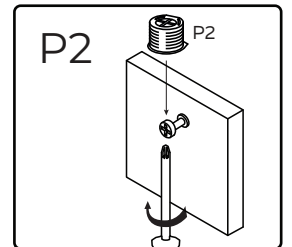
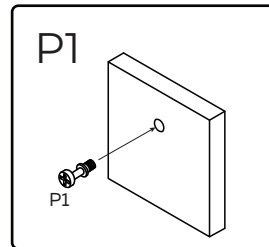
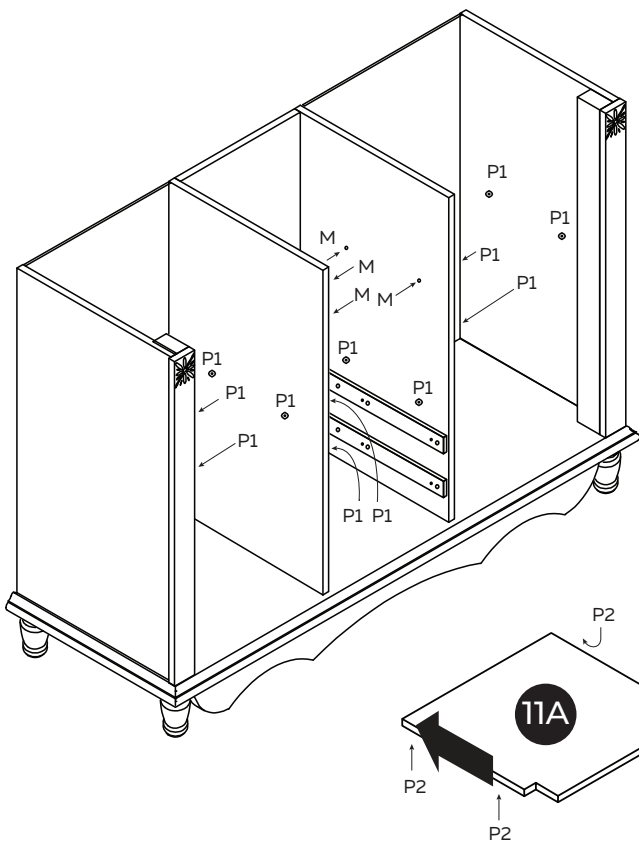
3




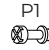
4



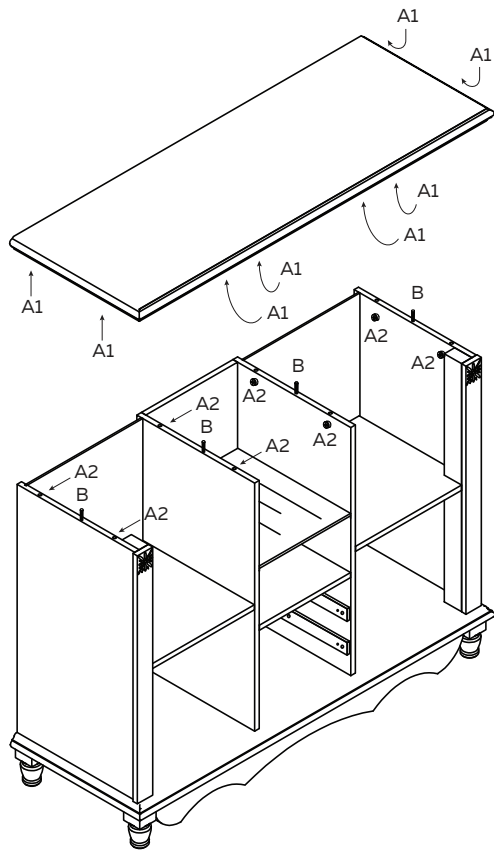
5





M  x4

P   x12

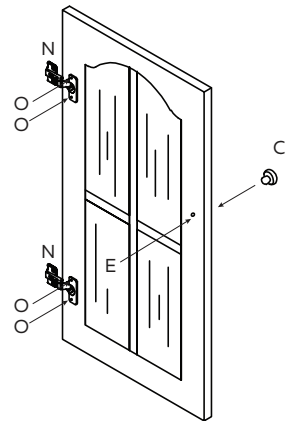
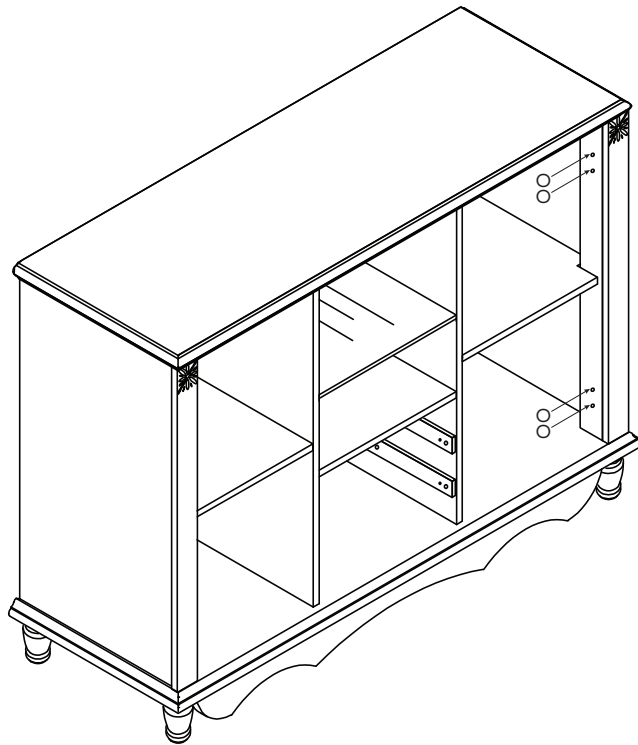
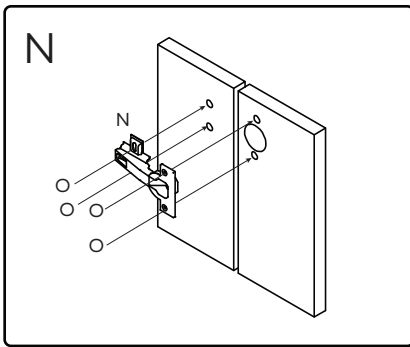
6



A   x8

B  x4

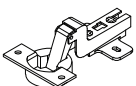
7



x2

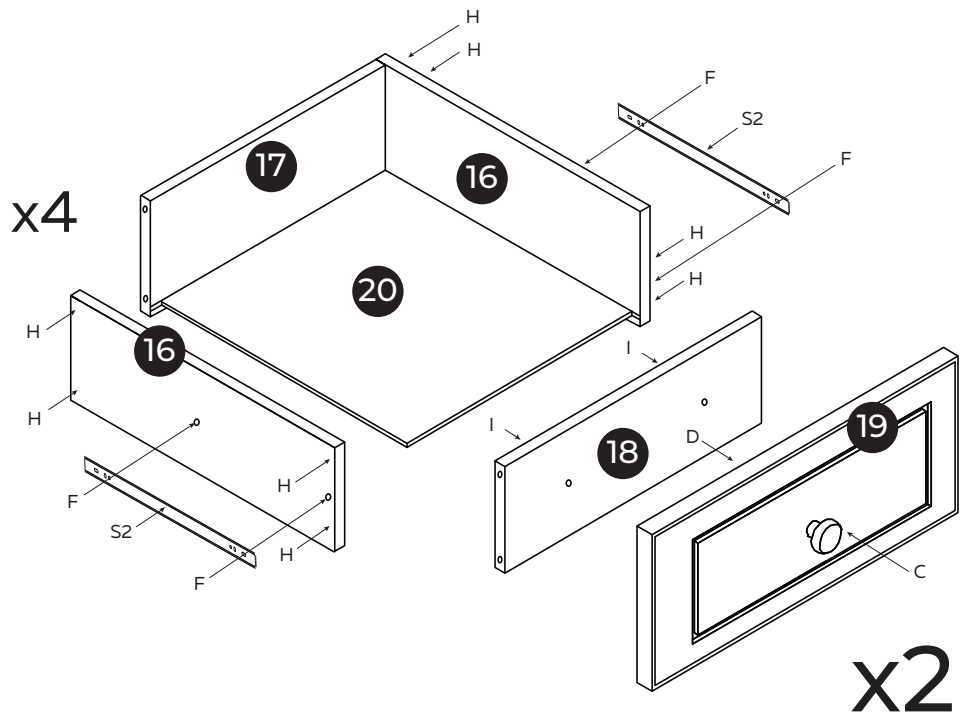
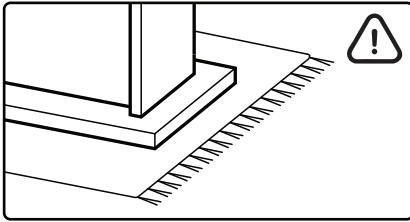
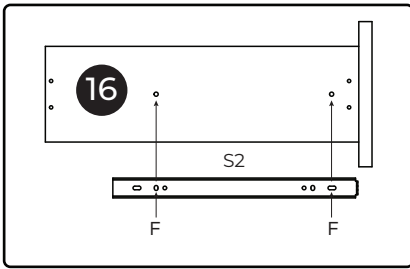
C  x2

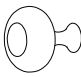
E  x2

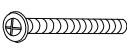
N  x4

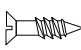
O  x16

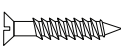
8

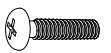


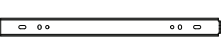
C  x2

D  x2

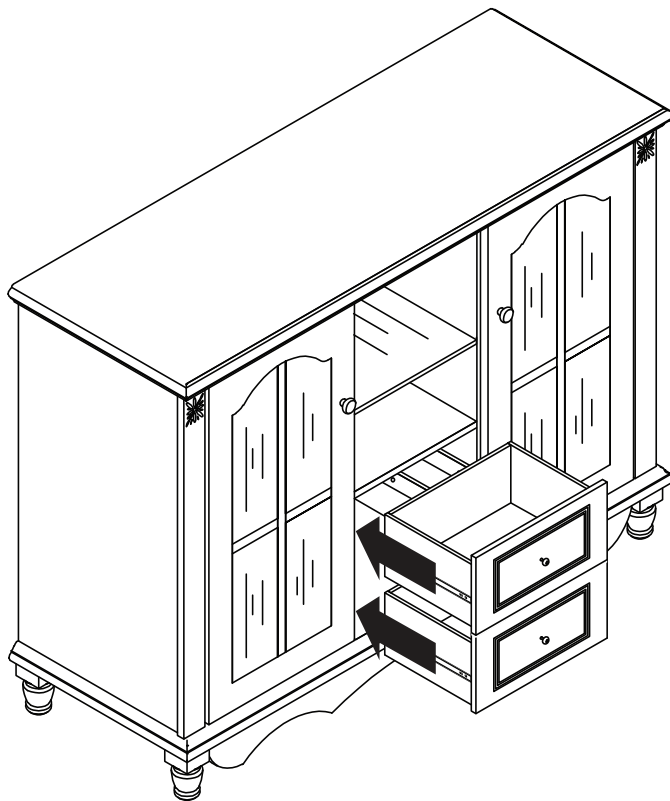
F  x8

H  x16

I  x4

S2  x4

**9**



**10**

