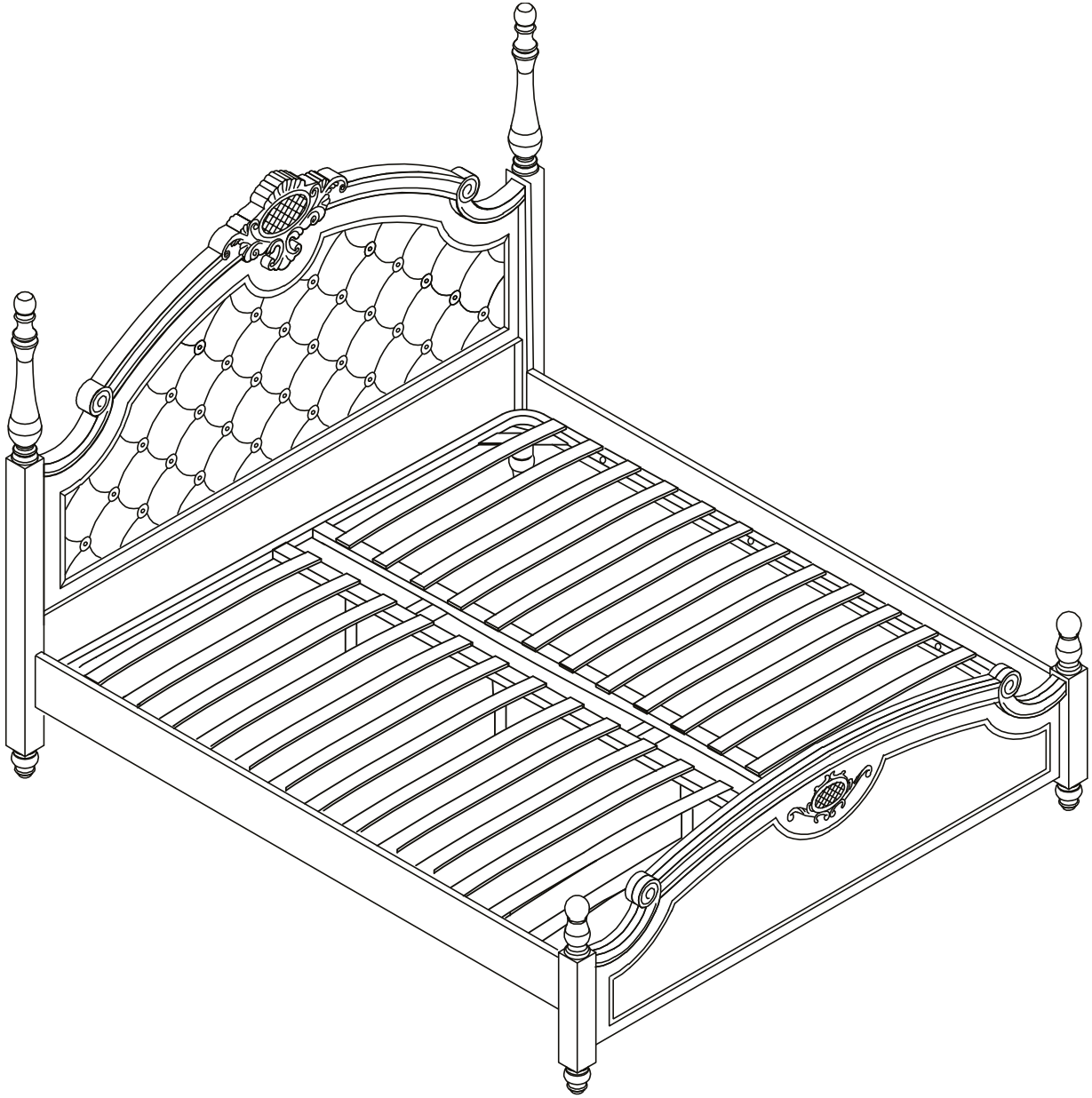
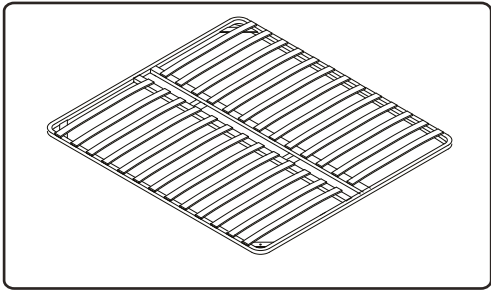


872

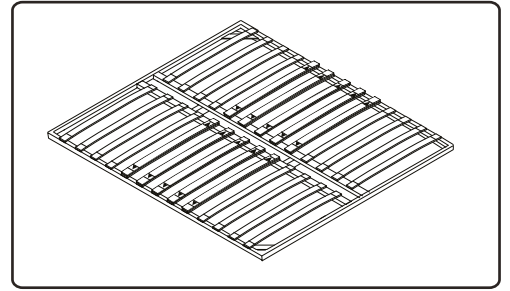
180 x 200 2130 x 1900 x 1530 mm



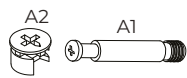
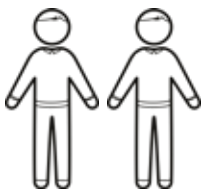
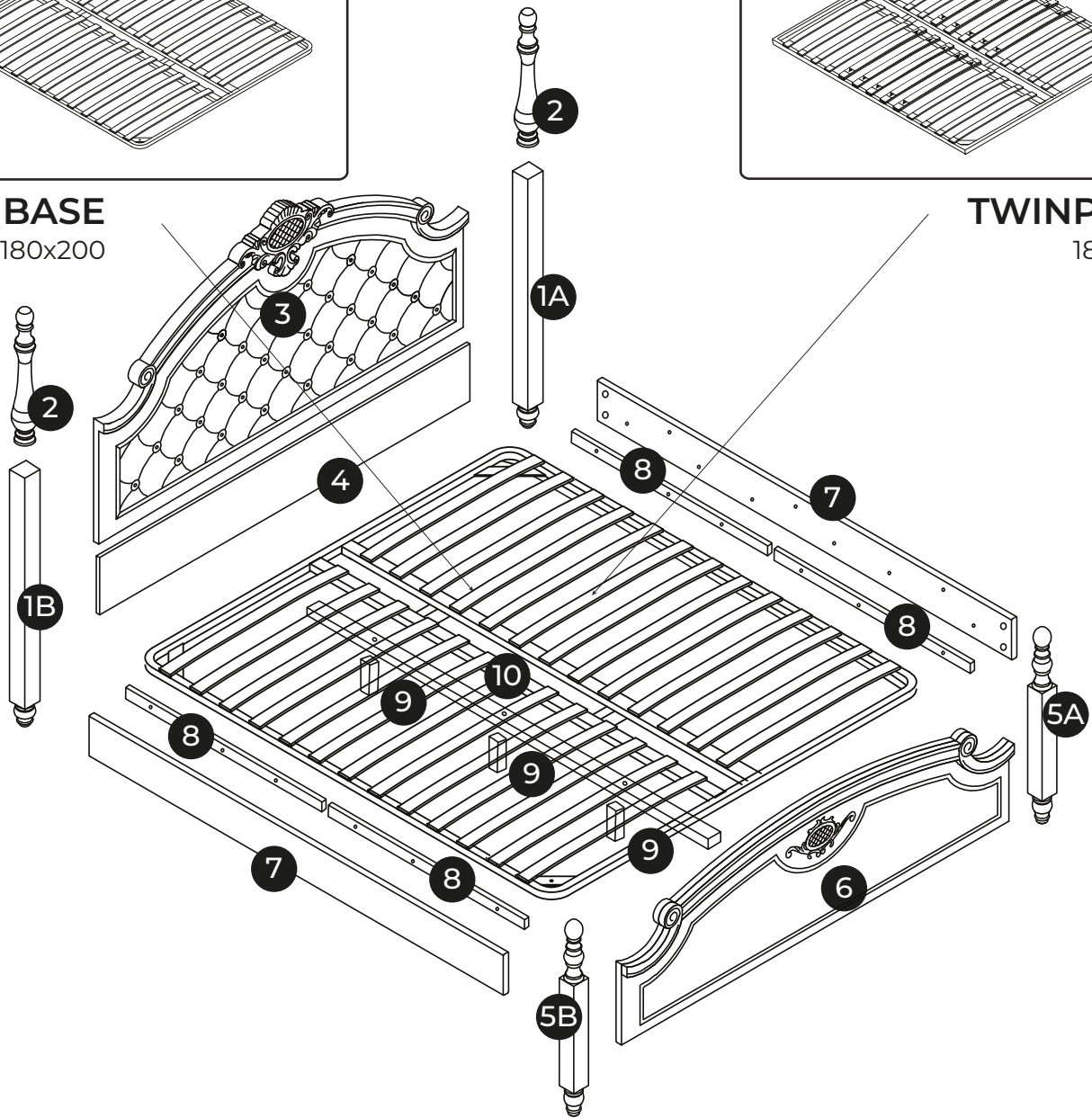
BEMONDI



BED BASE
180x200



TWINPACK
180x200



A x4
Ø 15 mm



B x14
Ø 8 x 30 mm



C x2
Ø 8 x 60 mm



D x16
Ø 8 x 70 mm



E x16



F x16



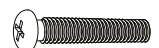
G x12
Ø 38



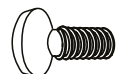
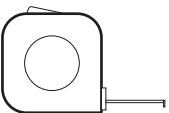
H x18
Ø 6 x 50 mm



I x14
Ø 4 x 16 mm



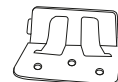
J x3
Ø 8 x 45 mm



K x3
Ø 20 mm



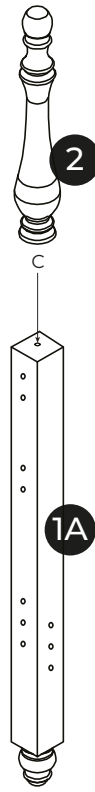
L1 x2




L2 x2



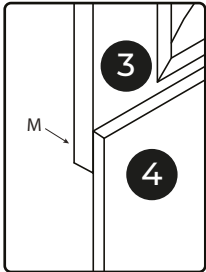
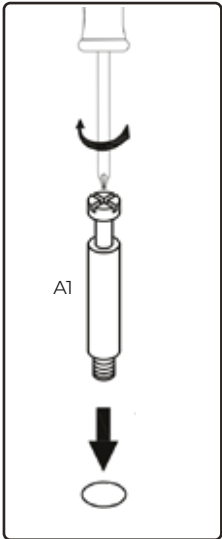
M x4
Ø 3,5 x 25 mm



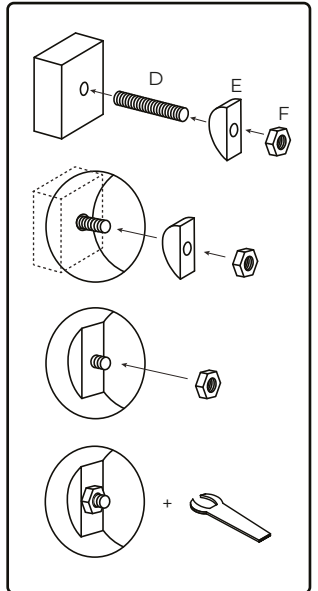
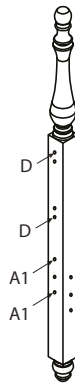
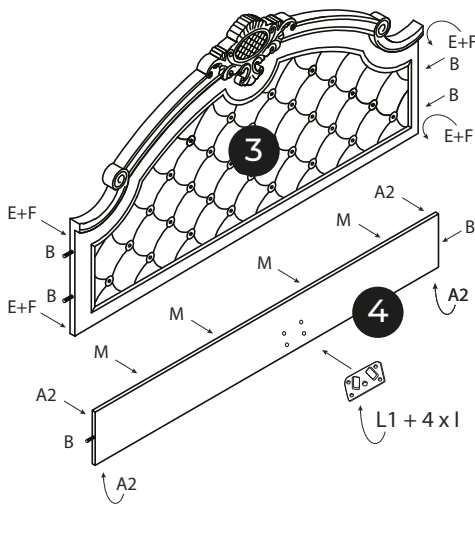
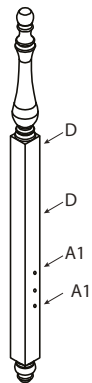
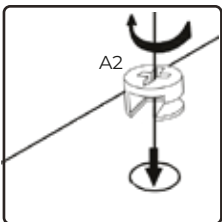
x2


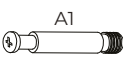
C  x2

1




l x4



A   x4

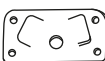
B  x6

D  x4

E  x4

F  x4

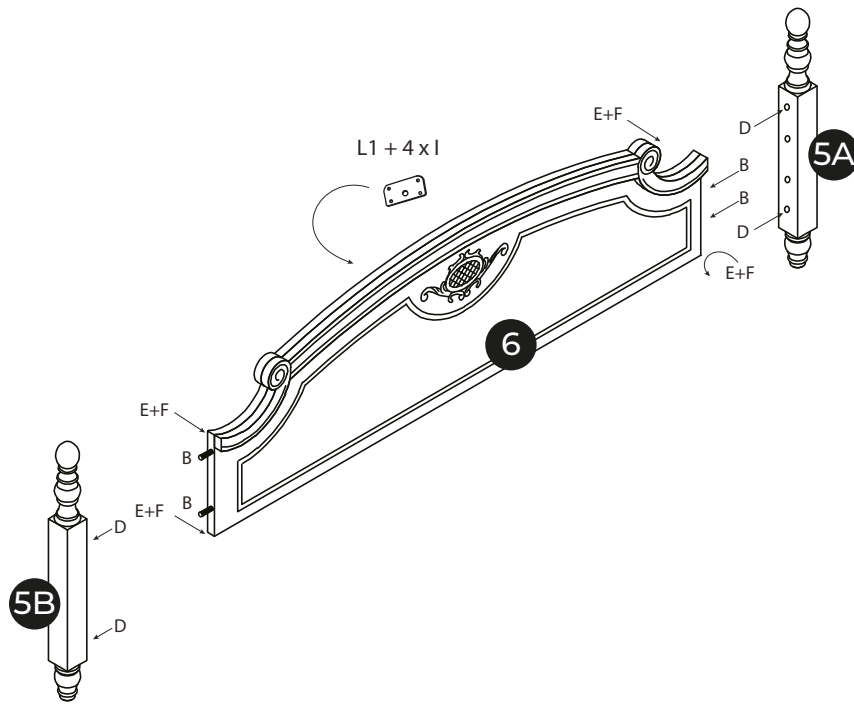
I  x4

L1  x1

M  x6


2


1 x 4



B  x4

D  x4

E  x4

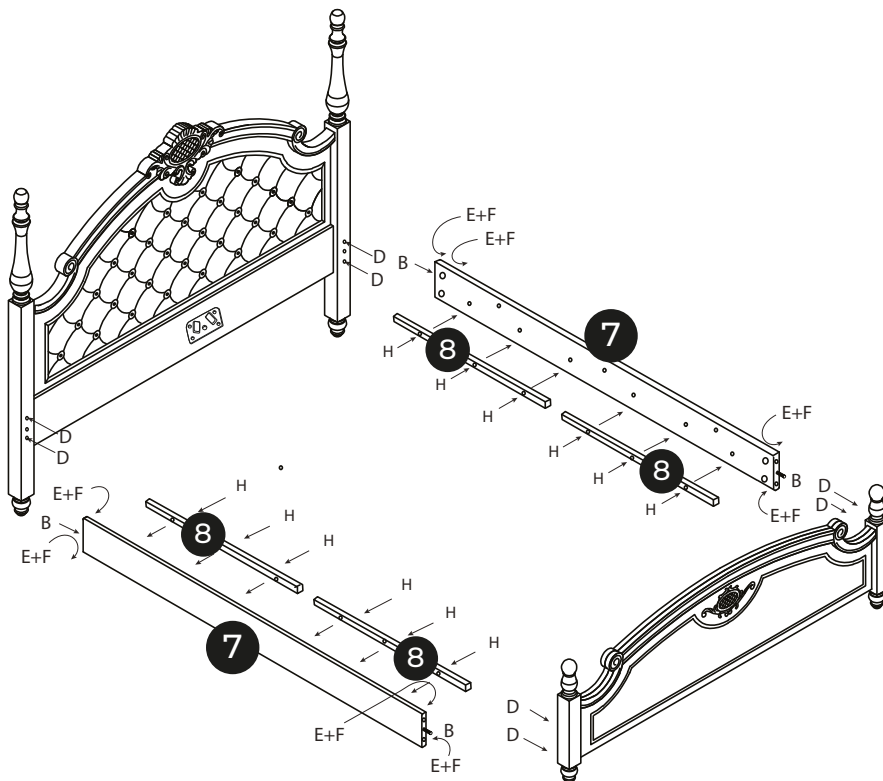
F  x4

G  x4

I  x4


L1  x1


3



B  x4

D  x8

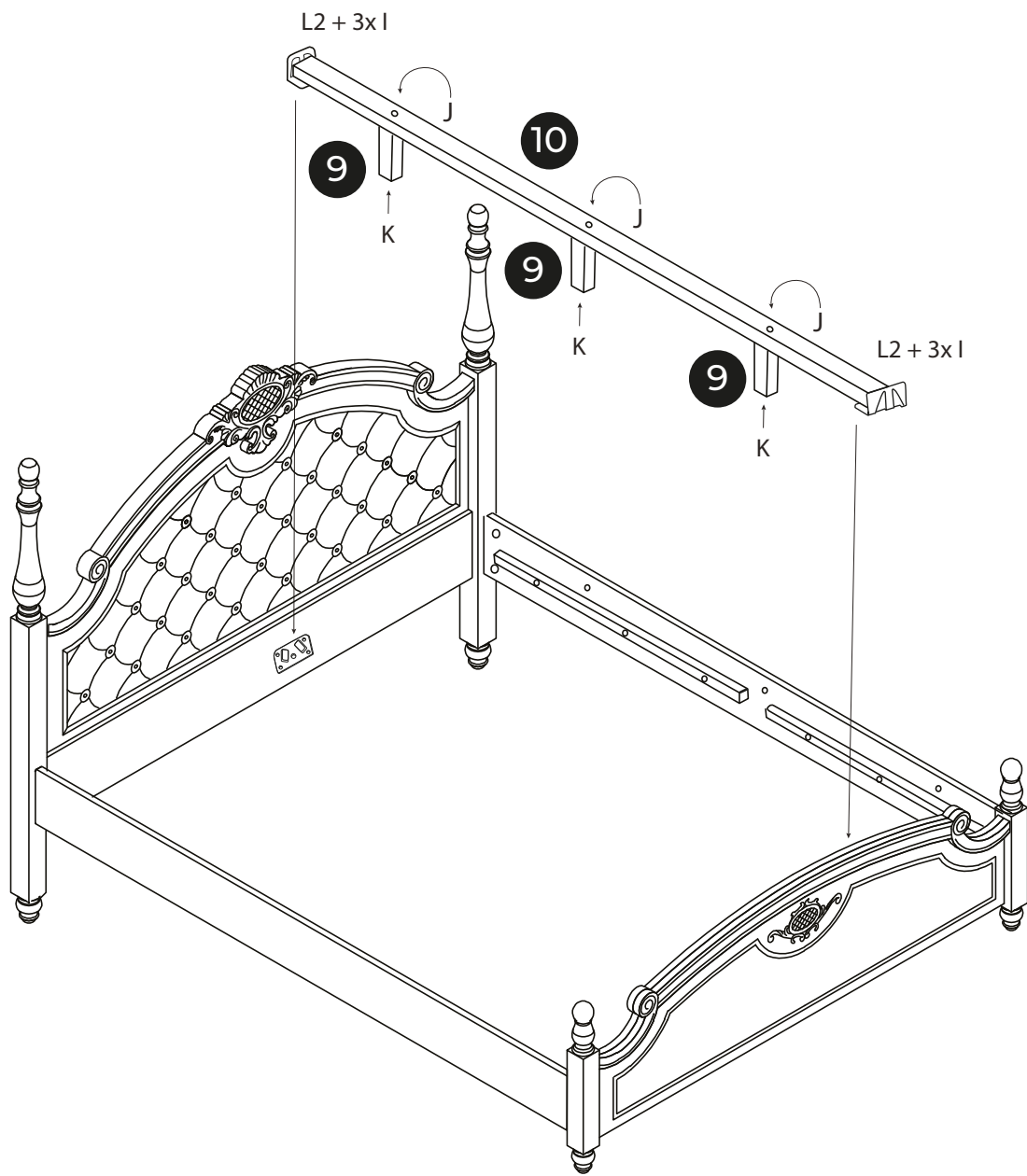
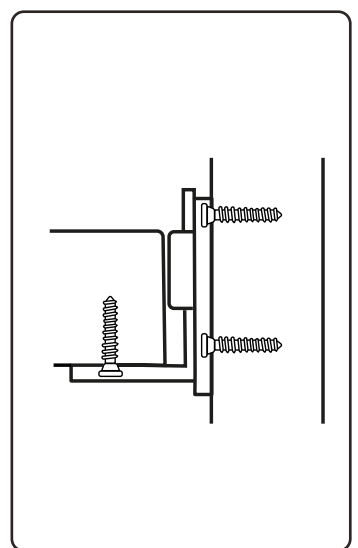
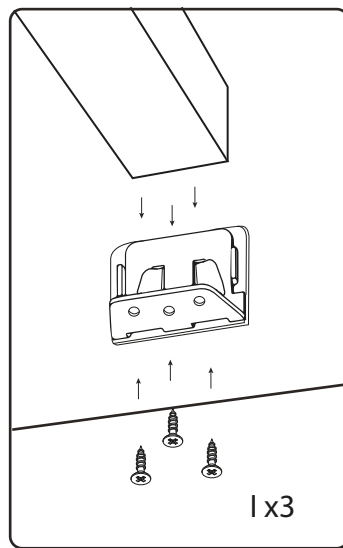
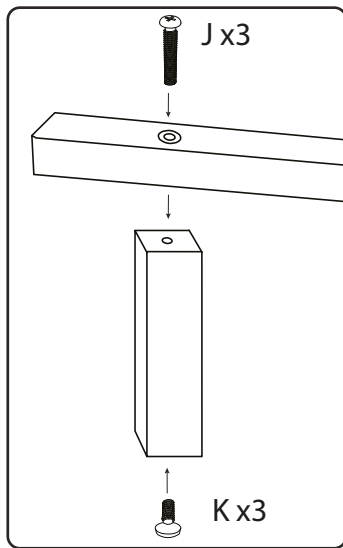
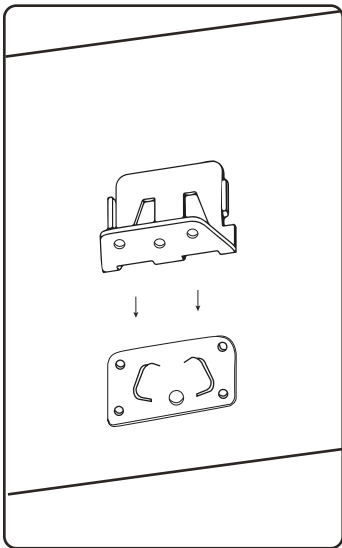
E  x8

F  x8

G  x8

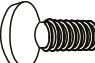
H  x12

4

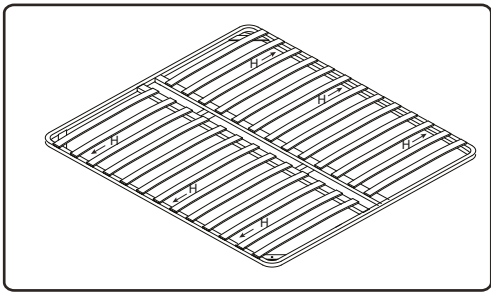


I  x6

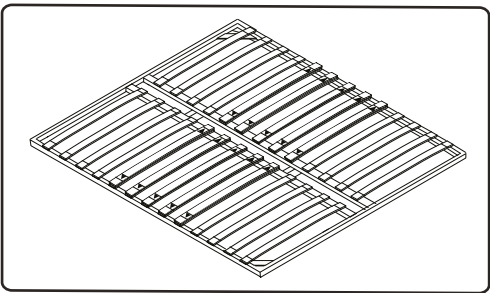
J  x3

K  x3

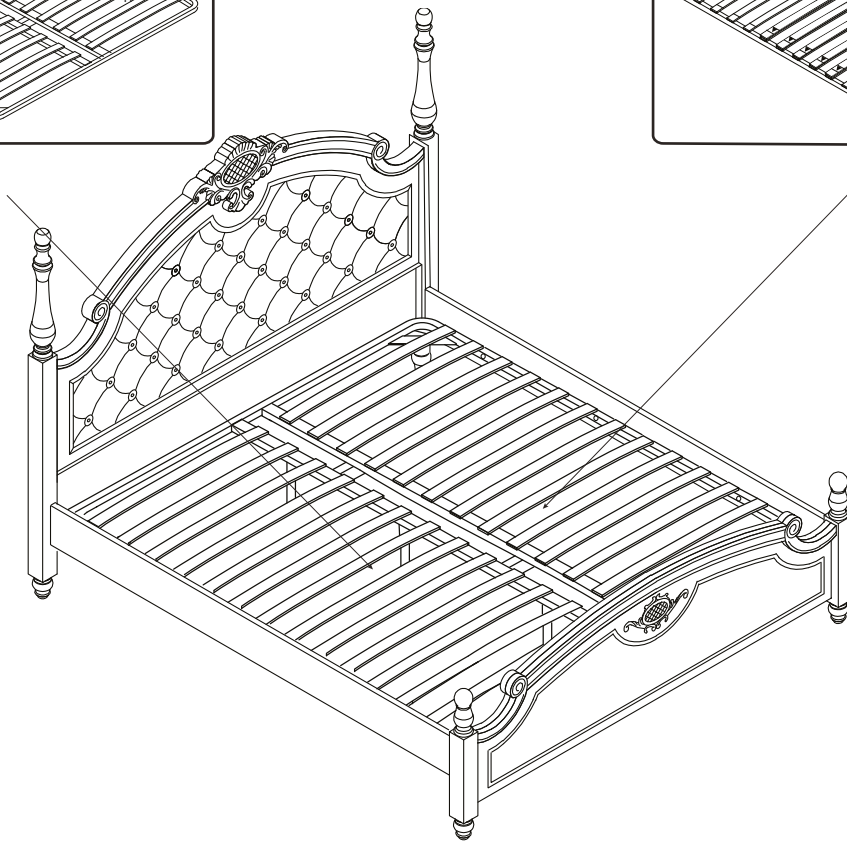
L2  x2



BED BASE
180x200



TWINPACK
180x200

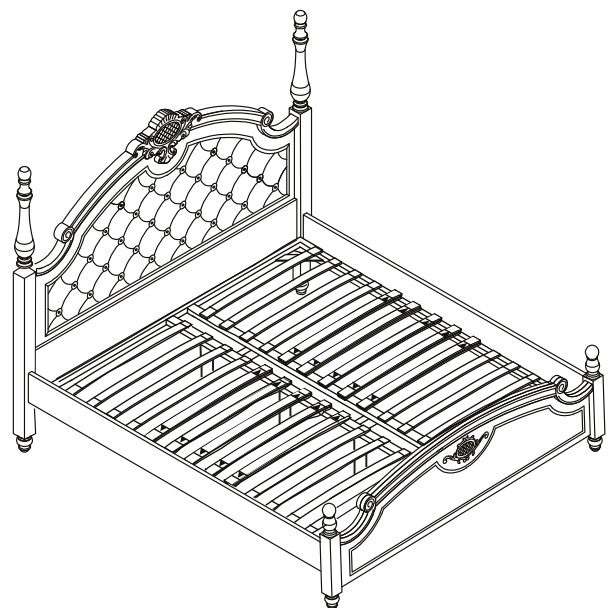
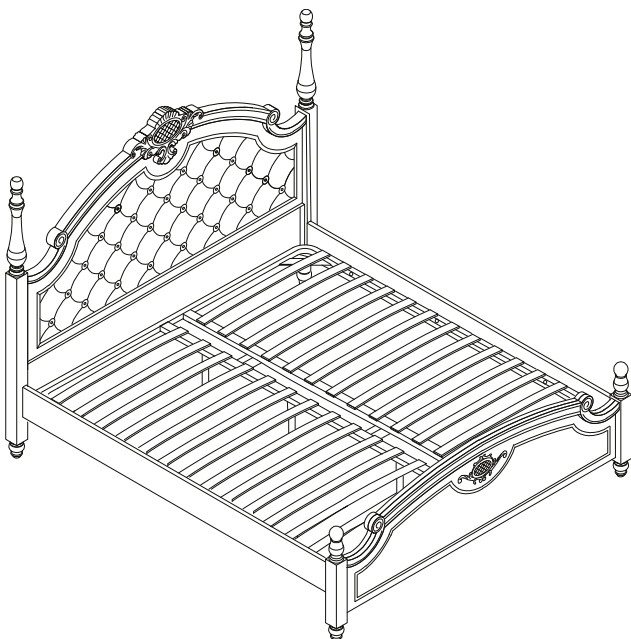


H  x6 **BED BASE**

6

BED BASE
180x200

TWINPACK
180x200



7