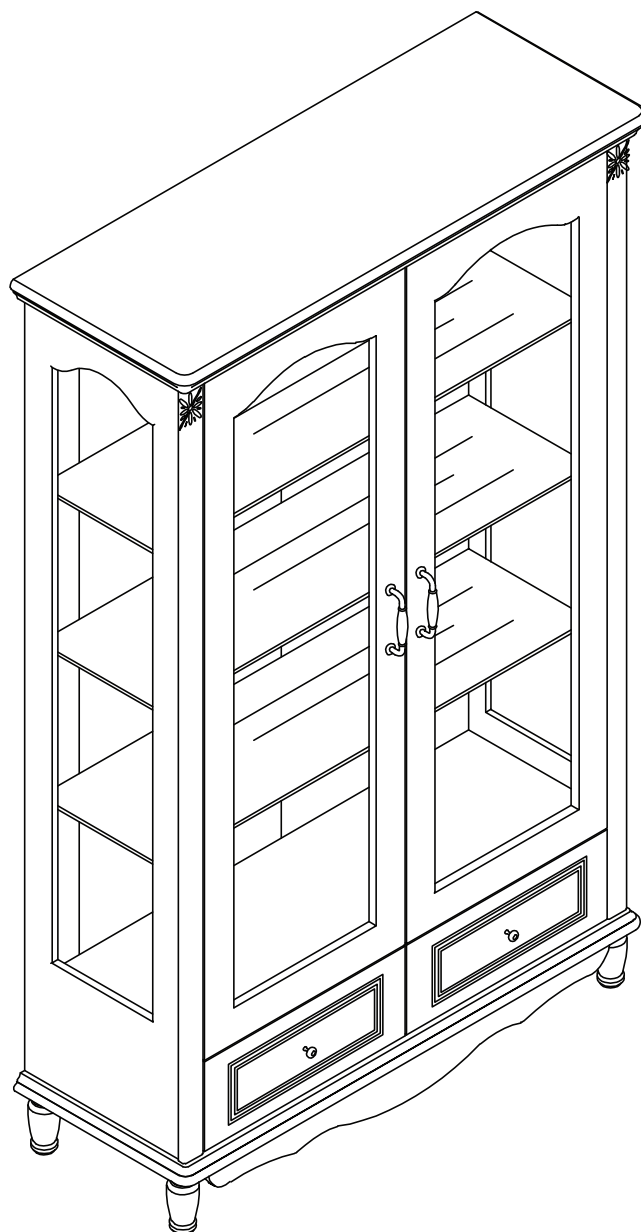
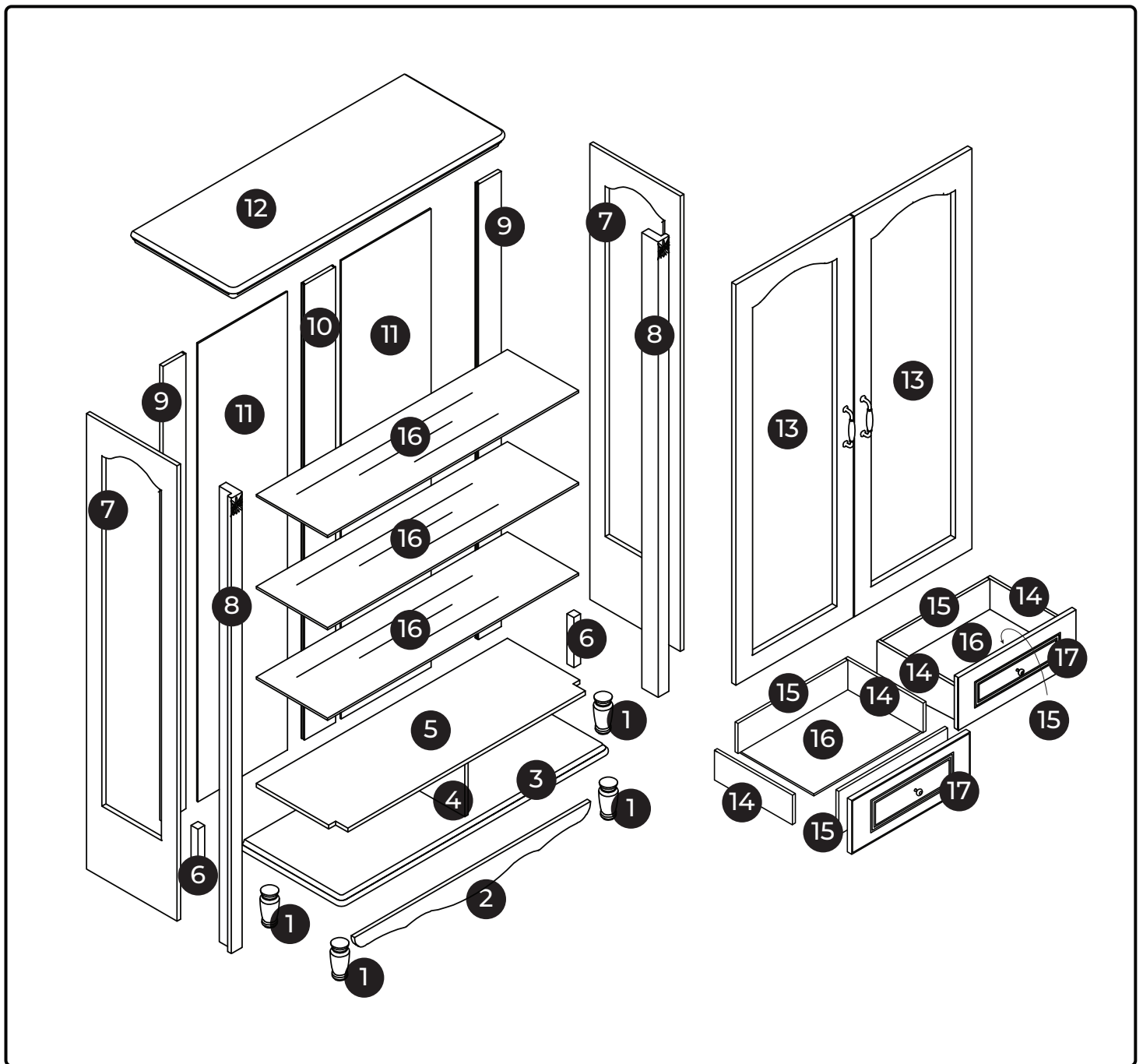


# 861

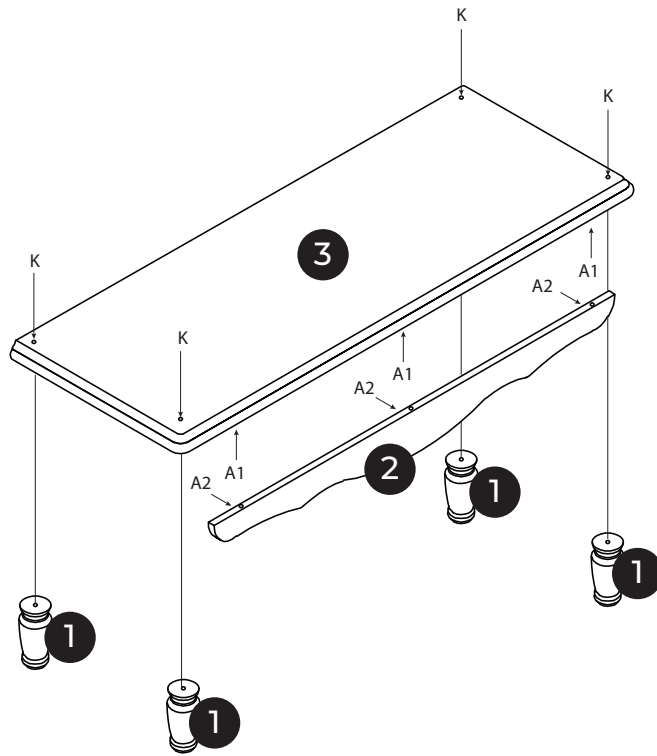
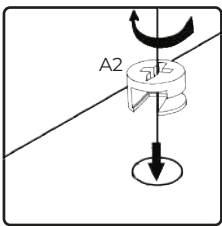
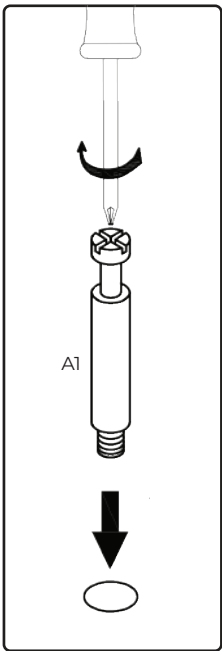
1000 x 480 x 2000 mm


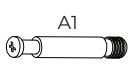



## BEMONDI



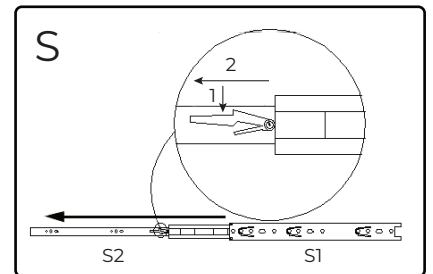
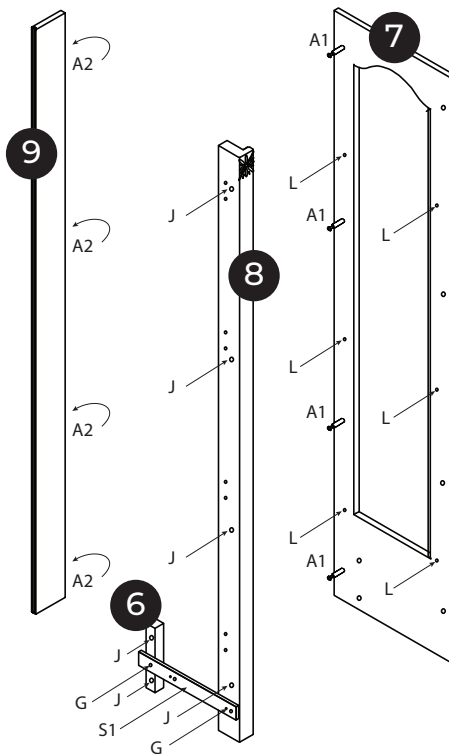
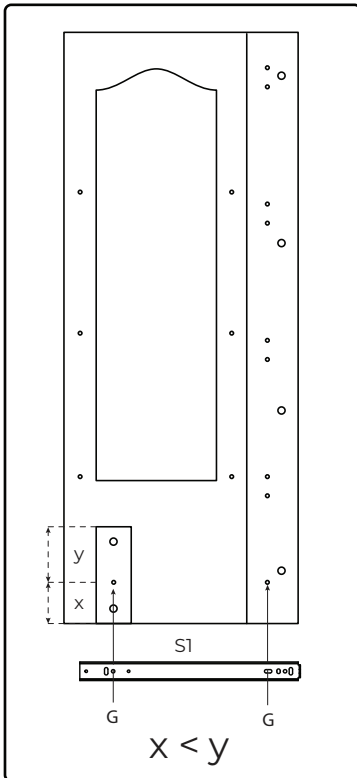
   	 <b>A x39</b> Ø 15 mm	 <b>B x16</b> Ø 8 x 30 mm	 <b>C x2</b>	 <b>D x2</b>	 <b>E x2</b> Ø 4 x 20 mm	 <b>F x8</b> Ø 3,5 x 12 mm
	 <b>G x8</b> Ø 3,5 x 15 mm	 <b>H x16</b> Ø 3,5 x 35 mm	 <b>I x4</b> Ø 6 x 20 mm	 <b>J x12</b> Ø 6 x 50 mm	 <b>K x4</b> Ø 8 x 50 mm	 <b>L x12</b> Ø 5 x 18 mm
	 <b>M x8</b>	 <b>N x4</b> Ø 4 x 25 mm	 <b>O x32</b> Ø 4 x 10 mm	 <b>S x4</b> 300 x 35 mm		




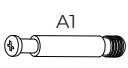
A   x3

K  x4

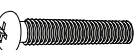
1




x2

A   x8

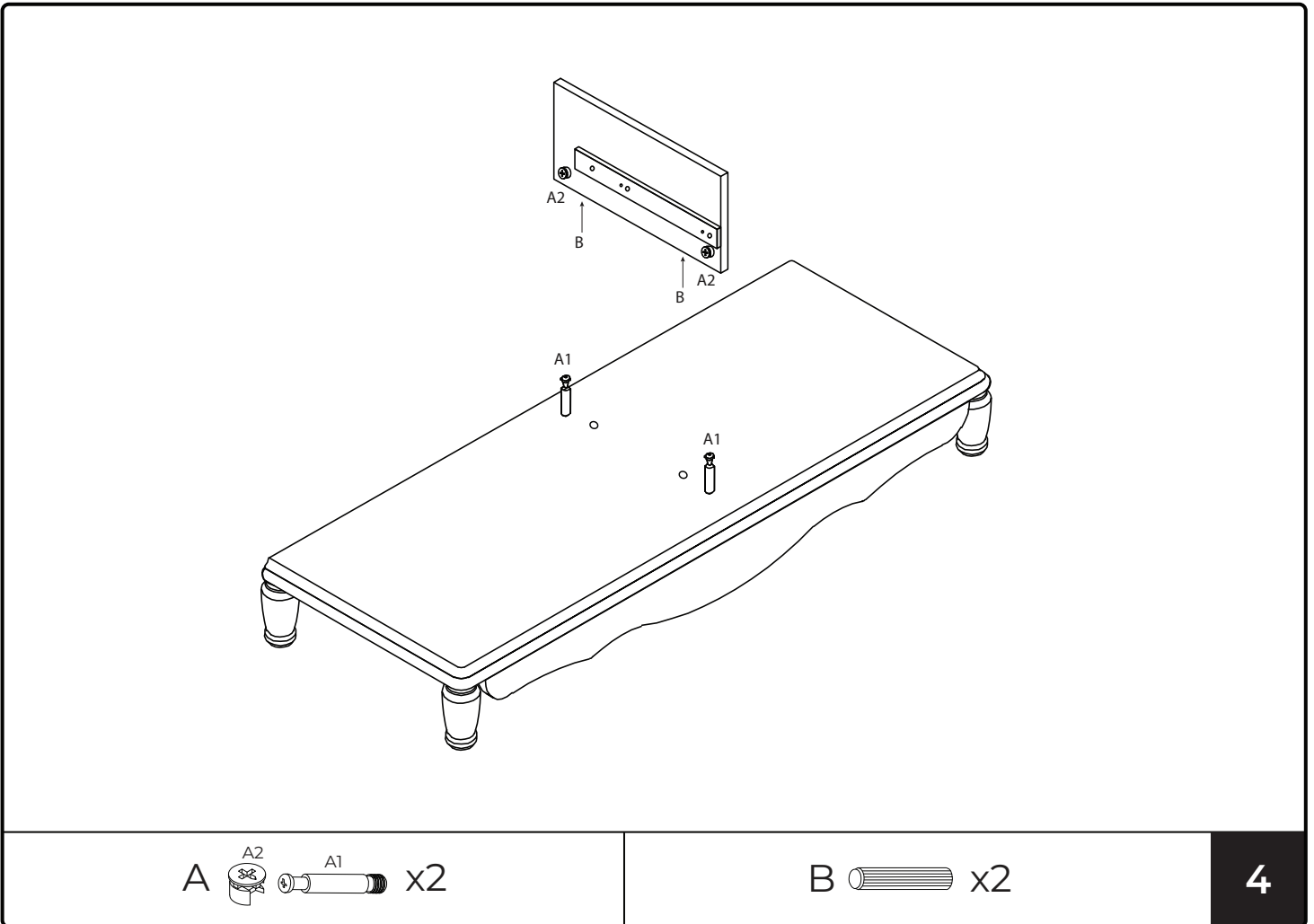
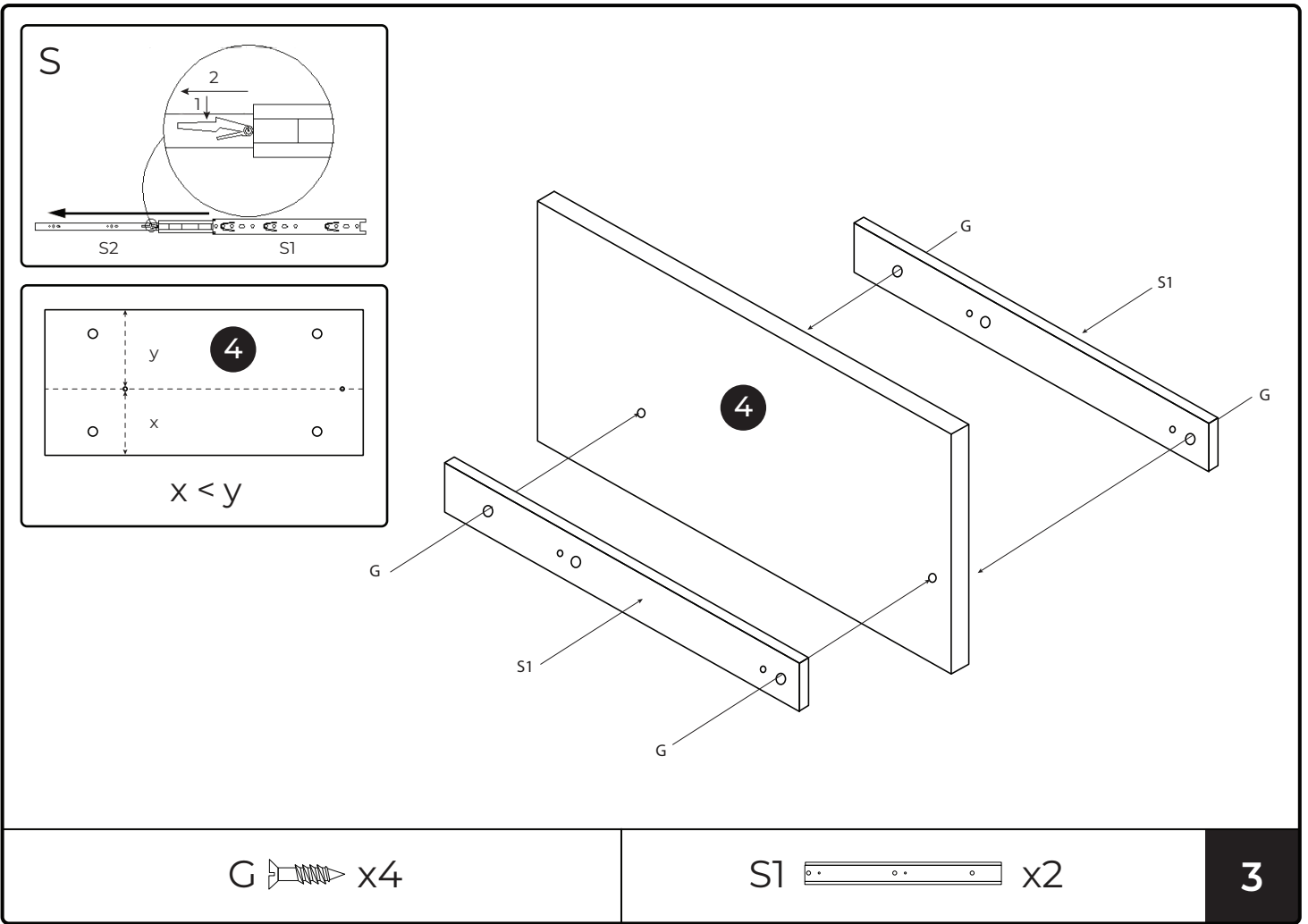
G  x4

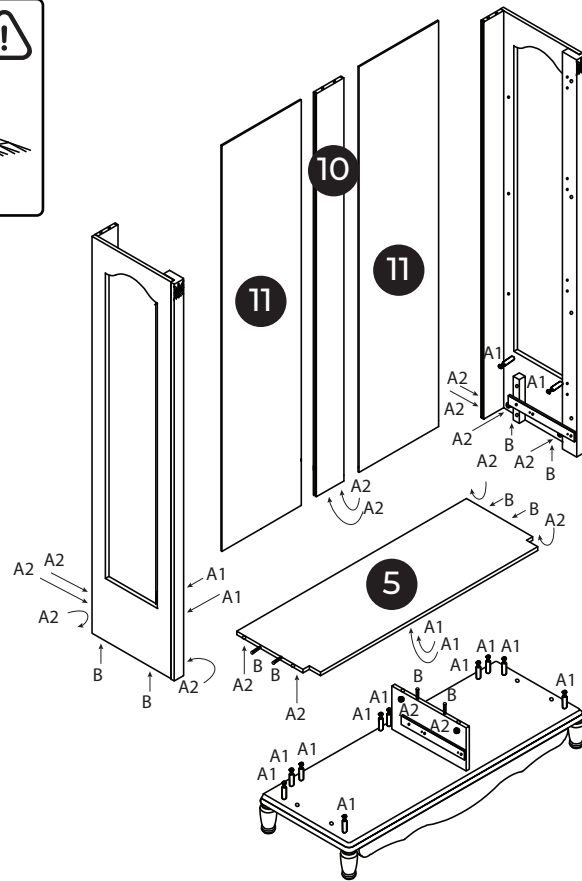
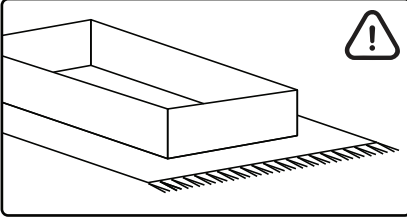
J  x12


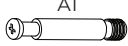
L  x12

S1  x2

2

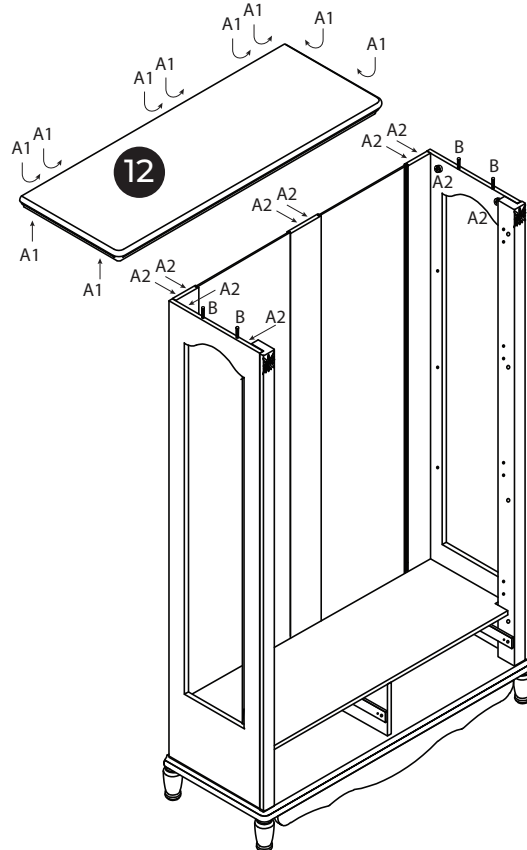
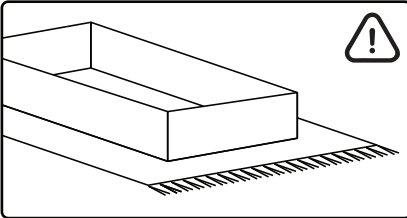



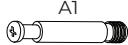


A   x16

B  x10

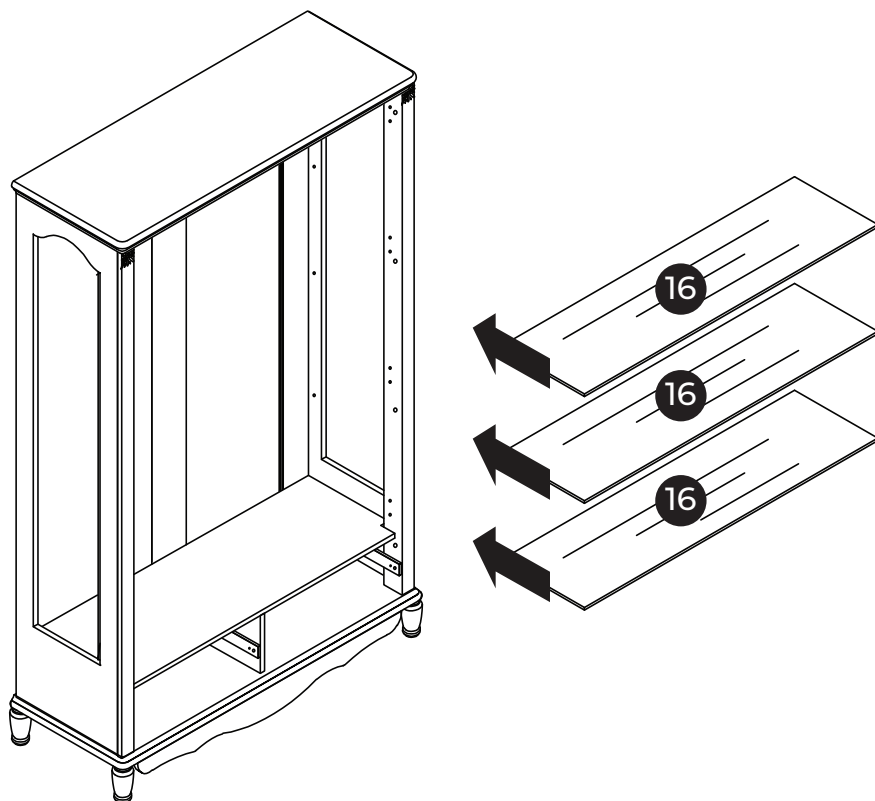
5



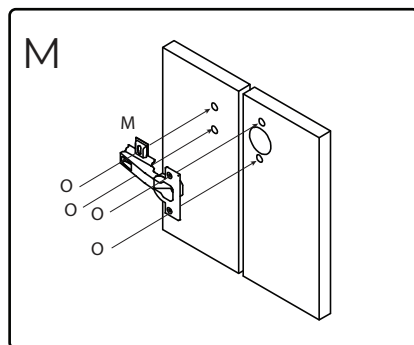
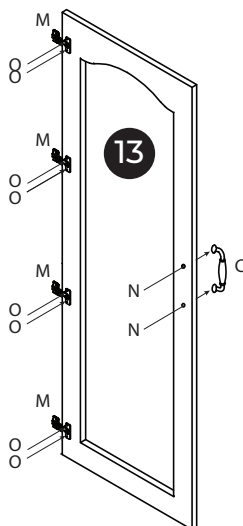
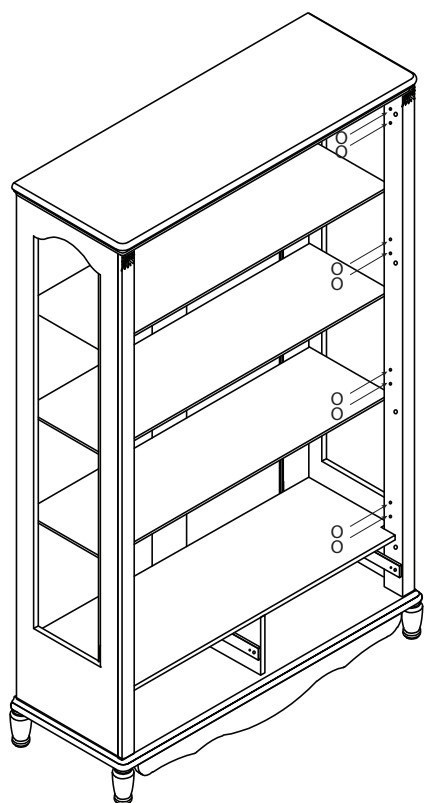
A   x10

B  x4

6

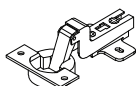


7



x2

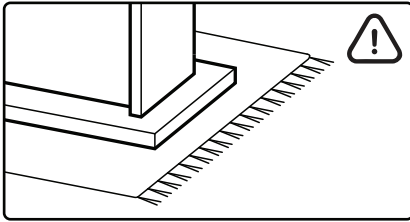
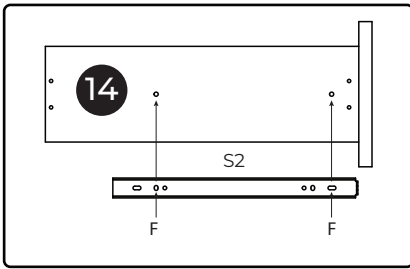
C  x2

M  x8

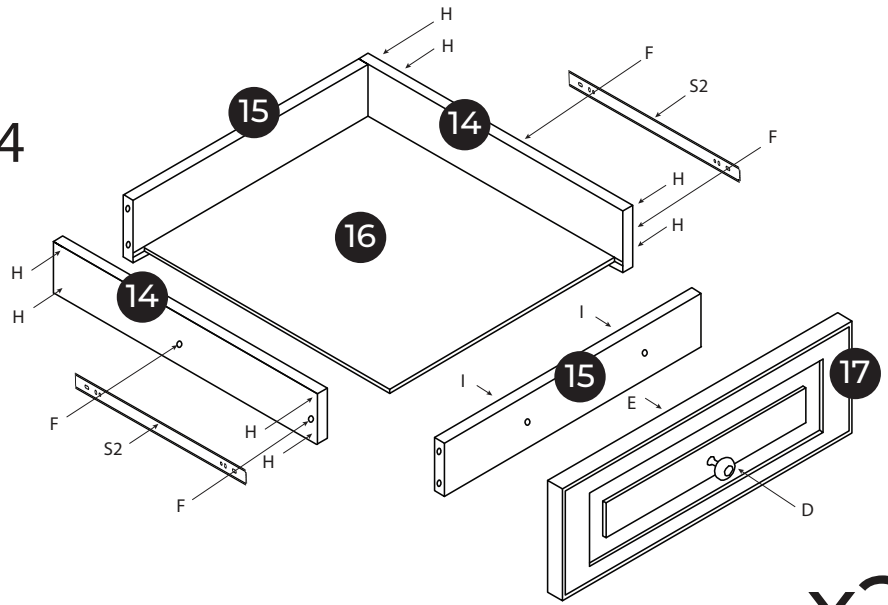
N  x4

O  x32

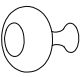
8

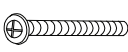



x4



x2

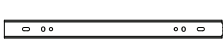
D  x2

E  x2

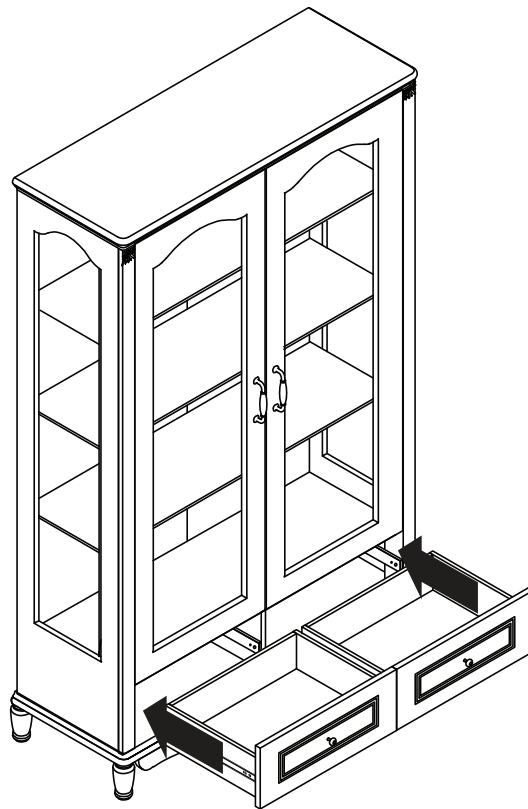
F  x8

H  x16

I  x4

S2  x4

9



10

