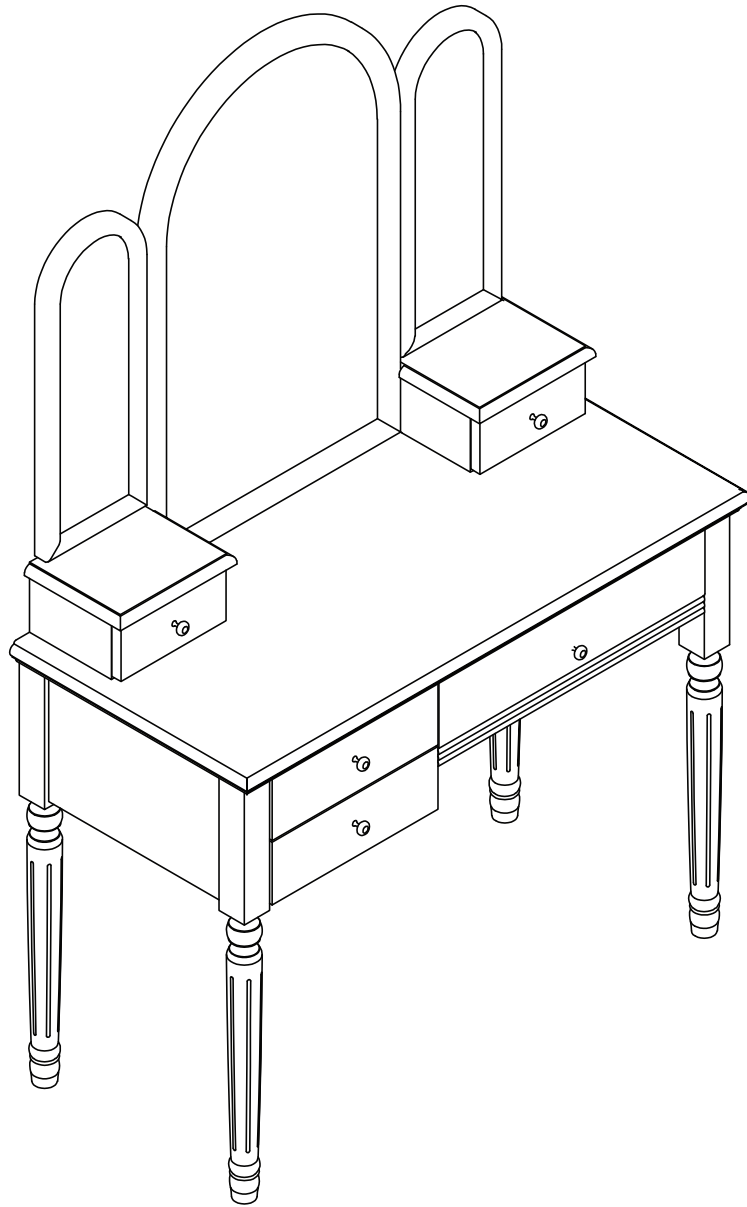
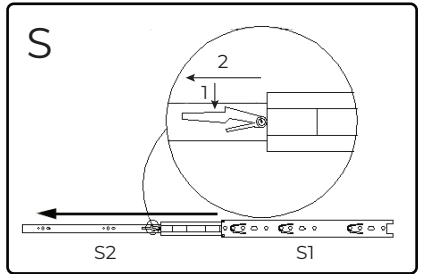
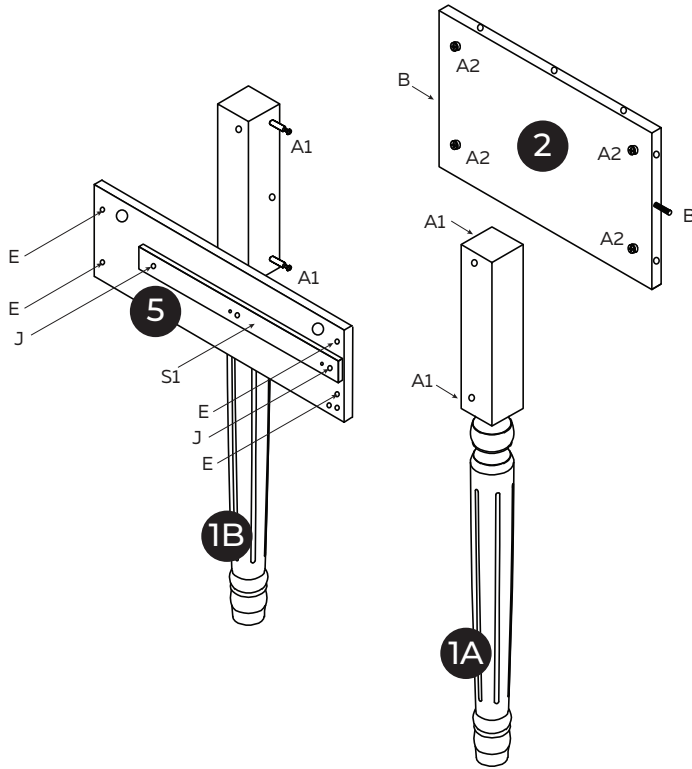
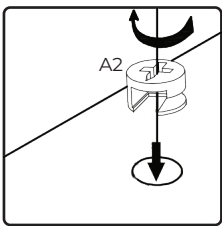
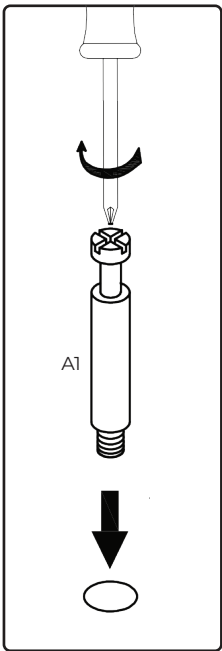



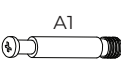

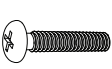
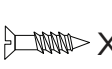
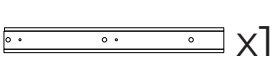
808

1000 x 470 x 1560 mm

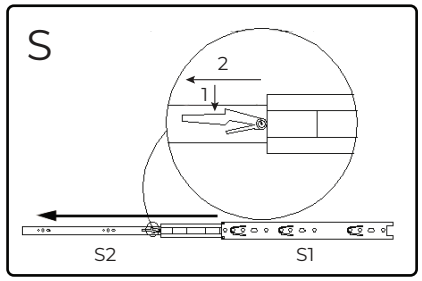
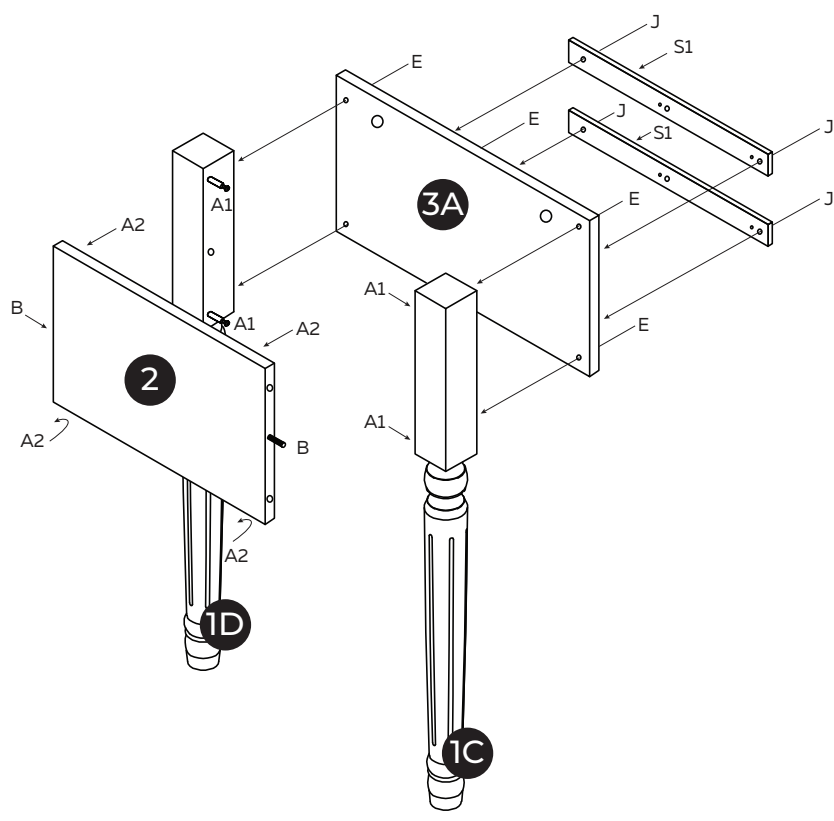



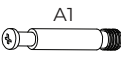

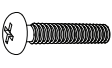
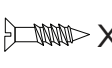
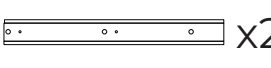
BEMONDI



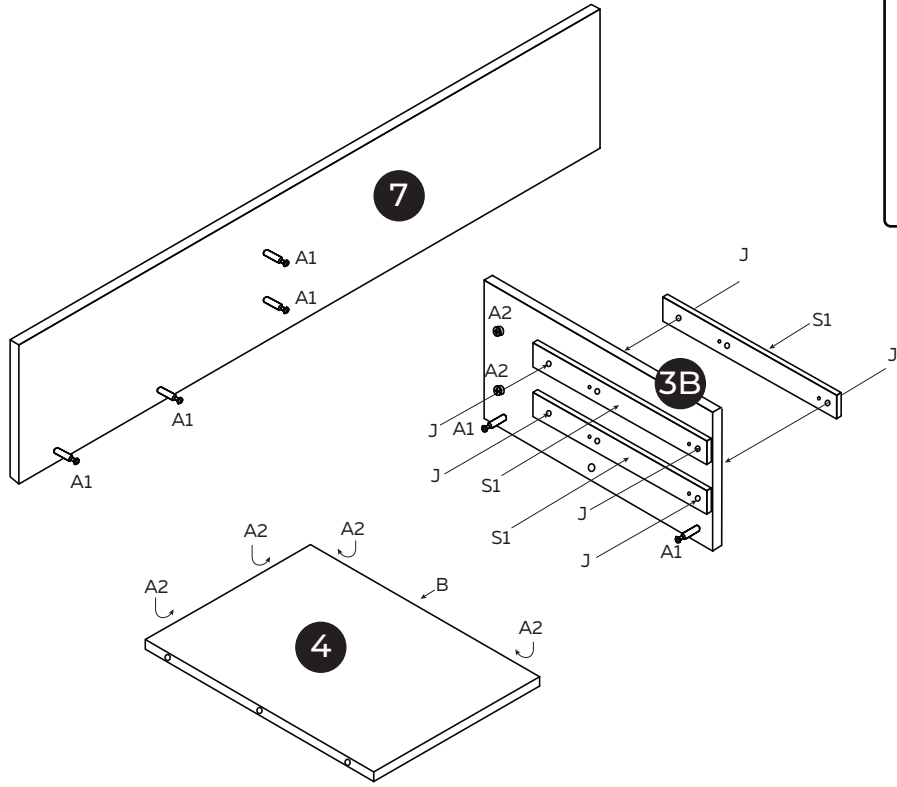
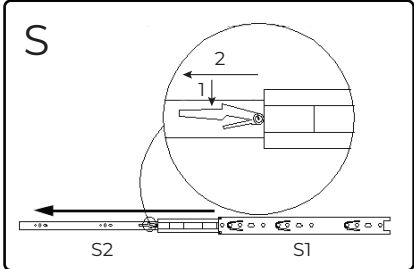
- A   x4
- B  x2
- E  x4
- J  x2
- S1  x1

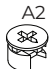
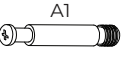

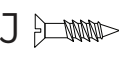
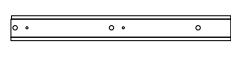
1

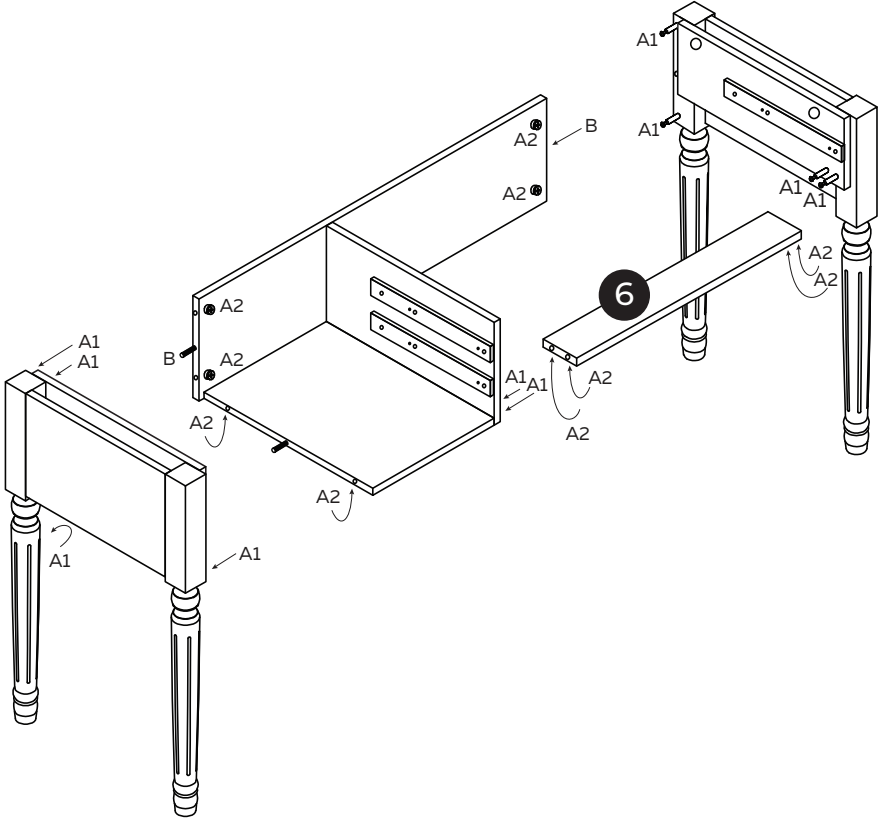


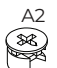
- A   x4
- B  x2
- E  x4
- J  x4
- S1  x2

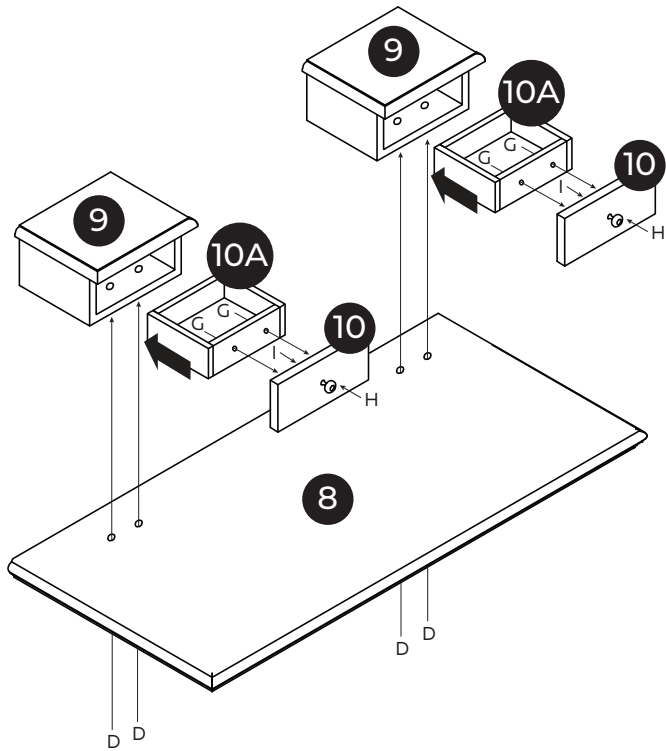
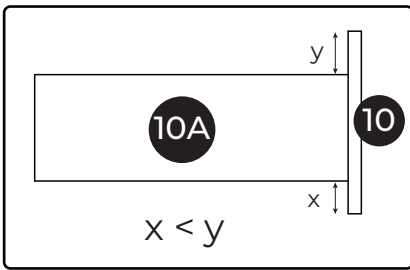
2

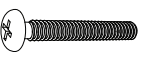


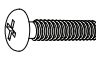
- | | | | | |
|--|---|---|--|---|
| A   x6 | B  x1 | J  x6 | S1  x3 | 3 |
|--|---|---|--|---|

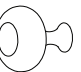


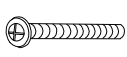
- | | | |
|--|---|---|
| A   x10 | B  x3 | 4 |
|--|---|---|



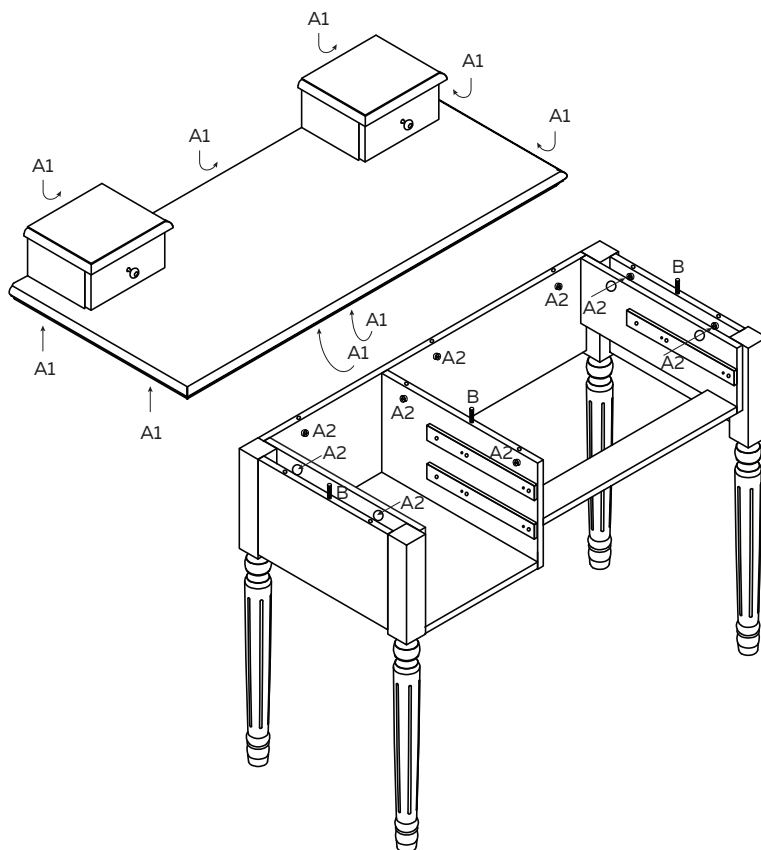
D  x4

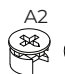
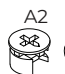
G  x4

H  x2

I  x2

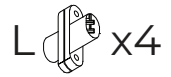
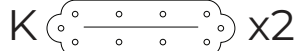
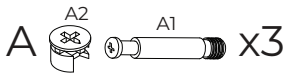
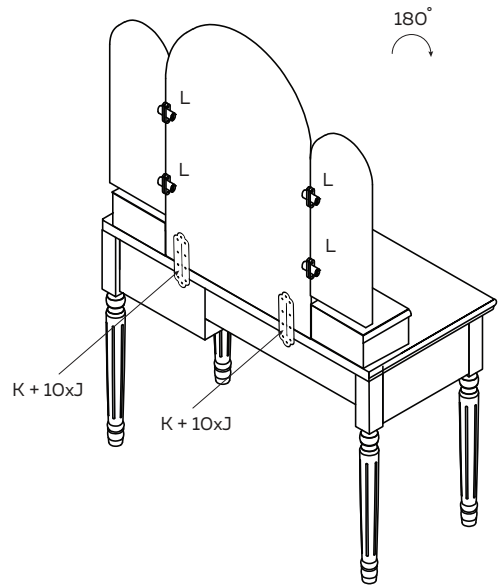
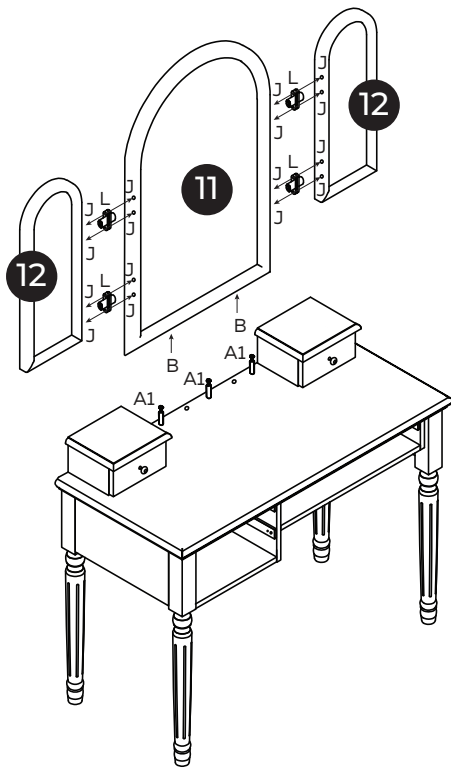
5



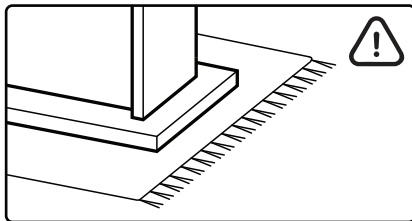
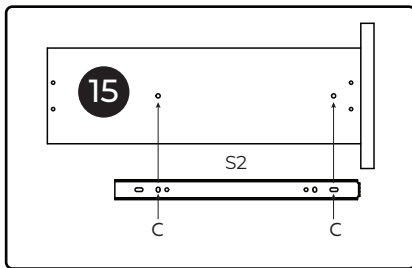
A   x9

B  x3

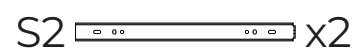
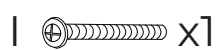
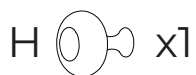
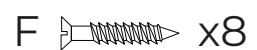
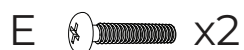
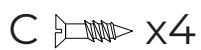
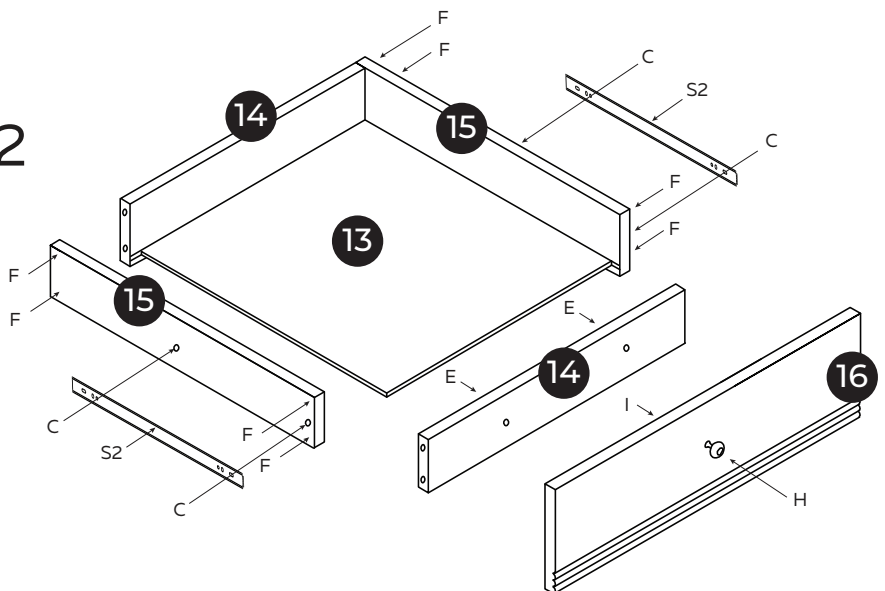
6



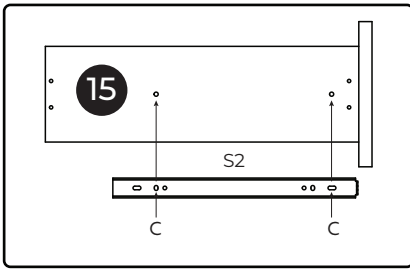
7



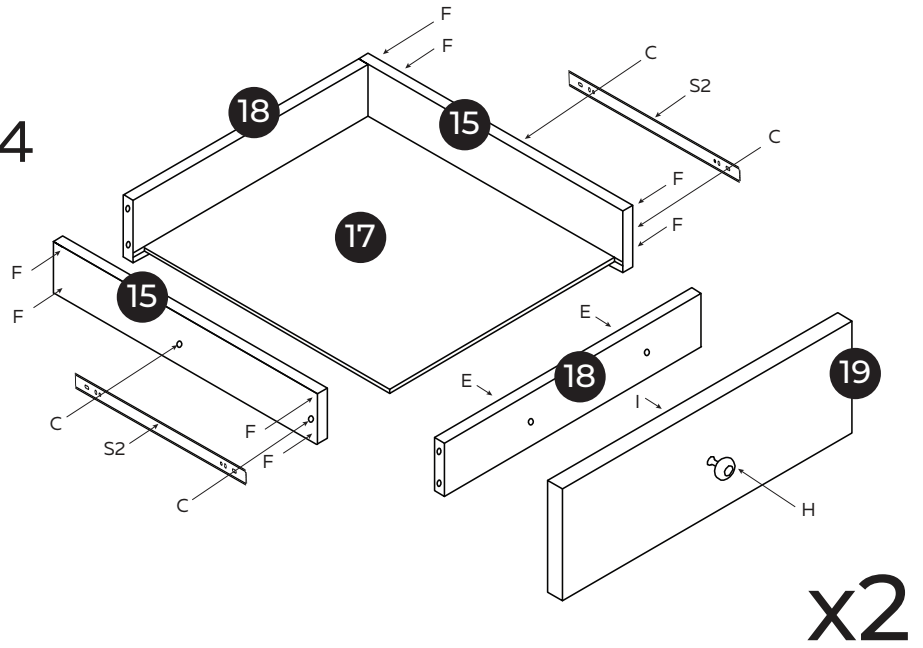
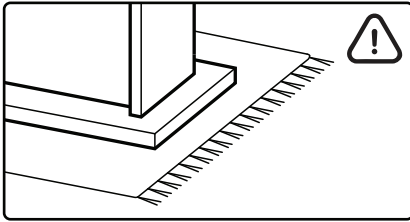
x2

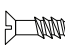


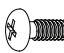
8



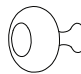
x4

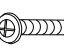


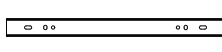
C  x8

E  x4

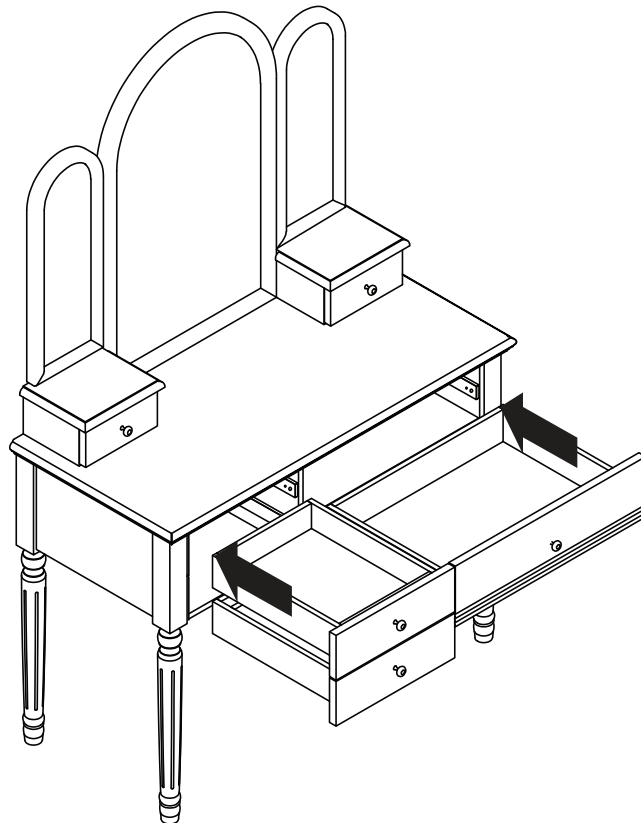
F  x16

H  x2

I  x2

S2  x4

7



8

