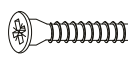
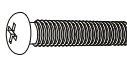
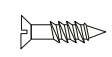
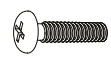
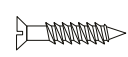
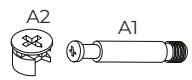
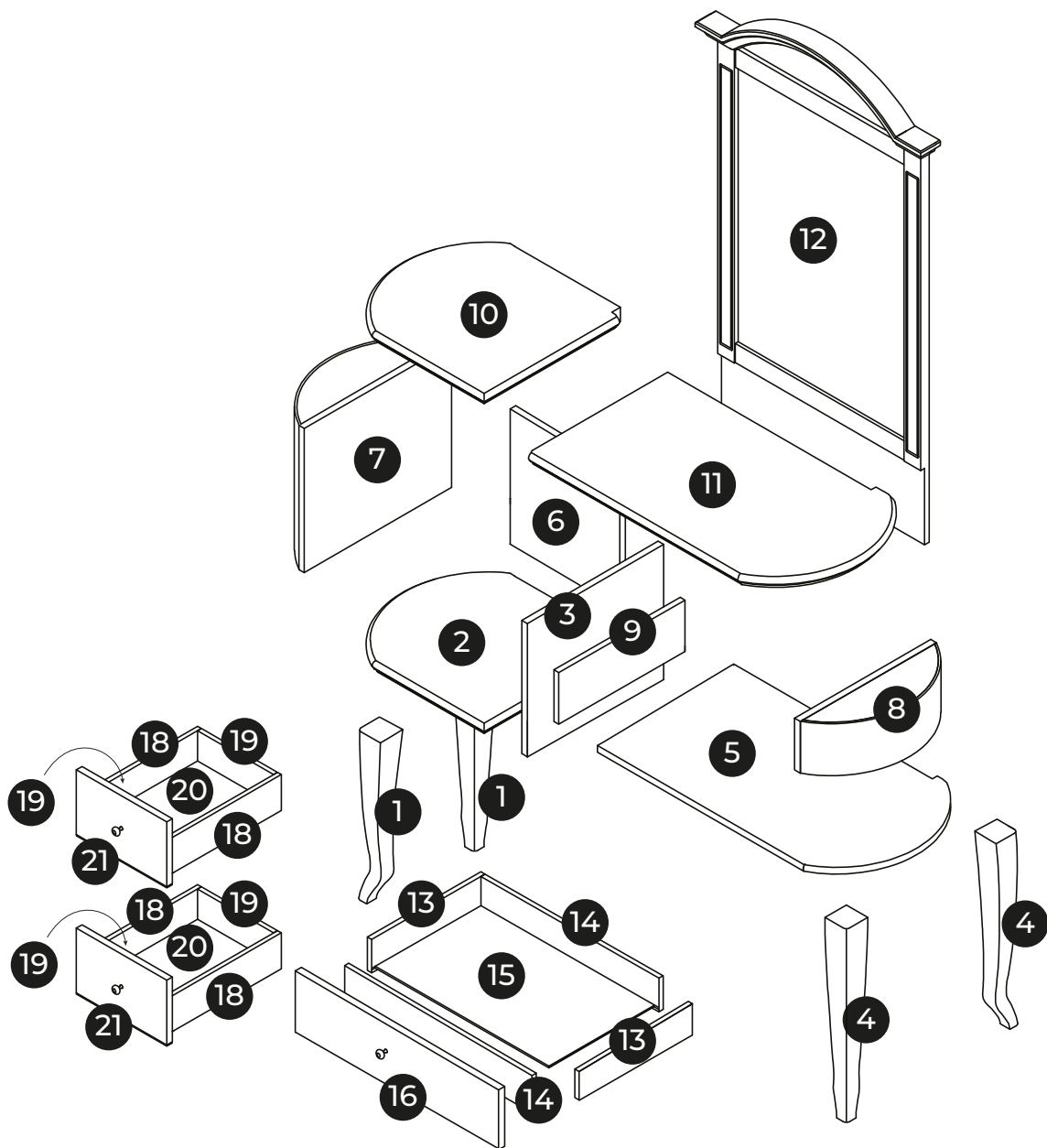


# 806

1280 x 450 x 1730 mm



**BEMONDI**



**A** x22  
Ø 15 mm

**B** x12  
Ø 8 x 30 mm

**C** x12  
Ø 3,5 x 12 mm

**D** x3  
Ø 4 x 20mm

**E** x4  
Ø 6 x 45 mm

**F** x24  
Ø 3,5 x 30 mm

**G** x6  
Ø 6 x 20 mm

**H** x12  
Ø 3,5 x 15 mm

**I** x8  
Ø 8 x 40 mm

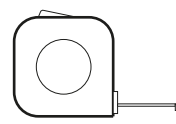
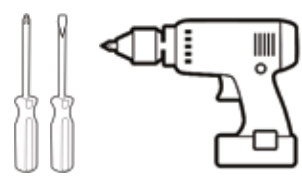
**J** x3

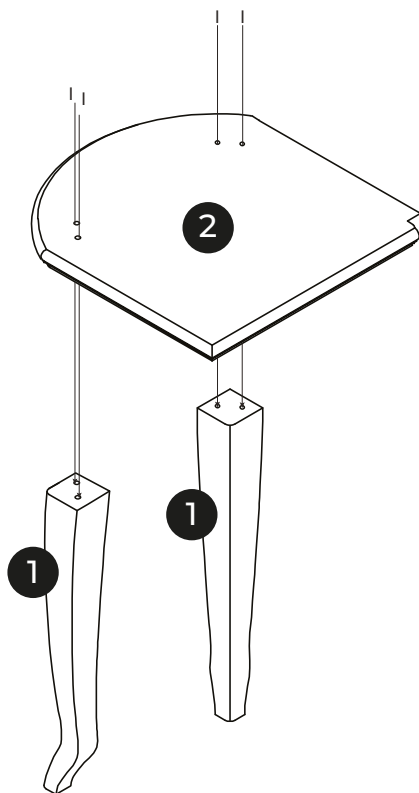
**K** x8  
Ø 7 x 38 mm

**L** x4

**M** x4

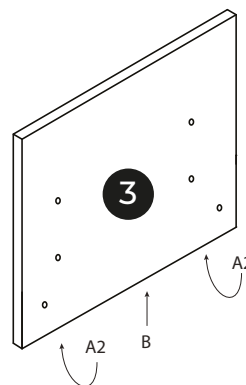
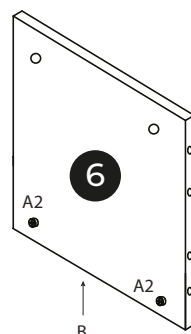
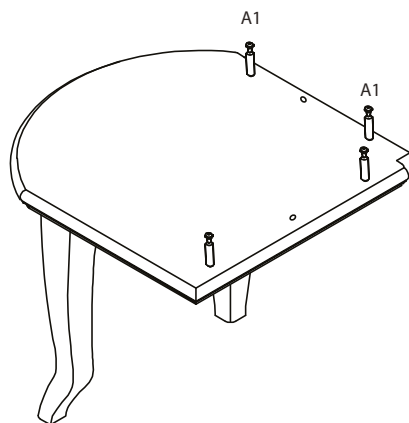
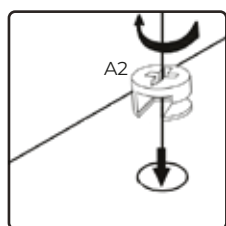
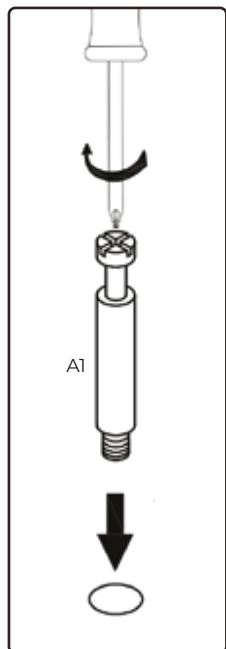
**S** x6  
300 x 35 mm







I  x4

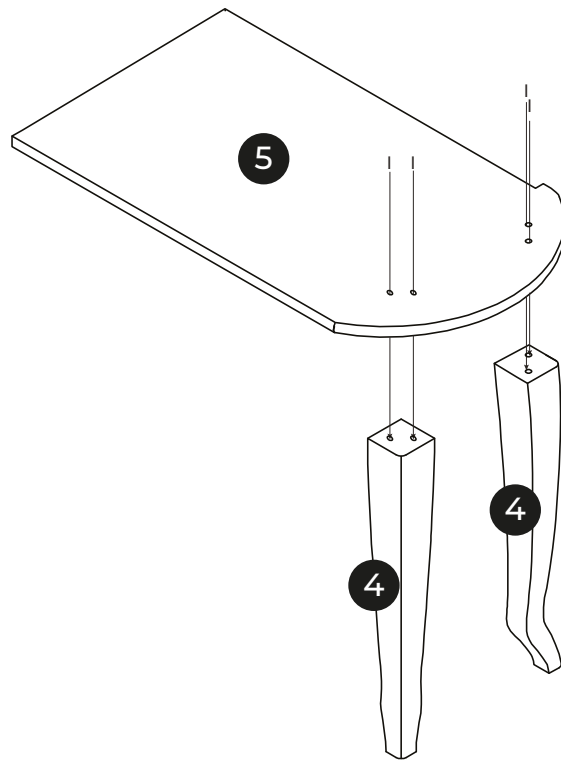
1



A   x4

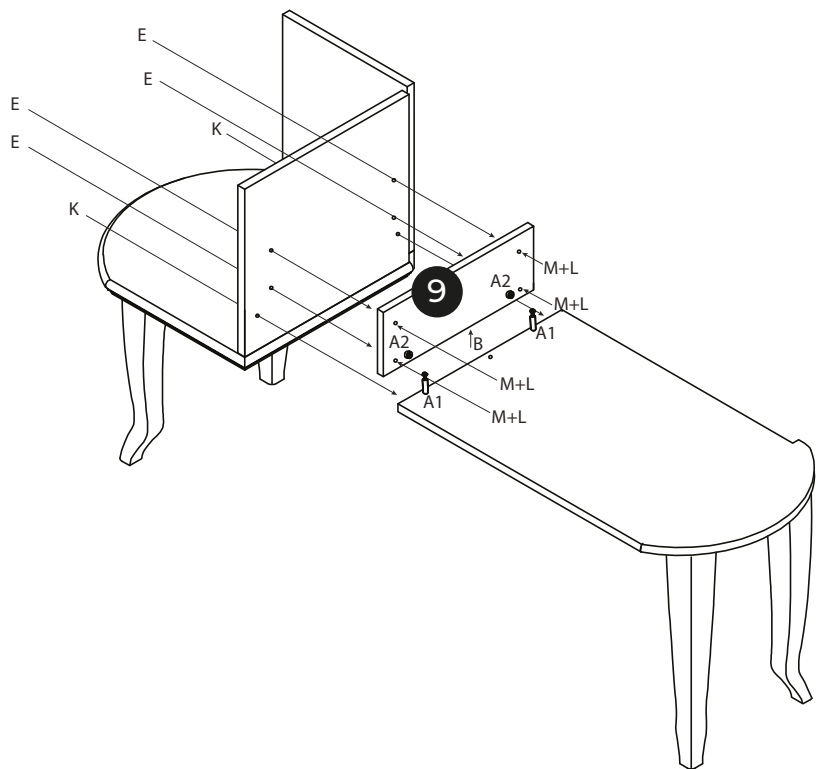
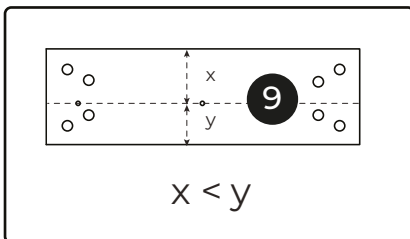
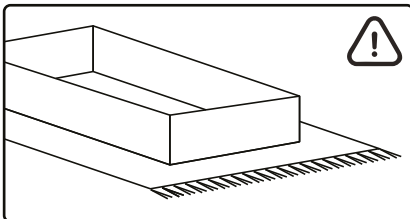
B  x2


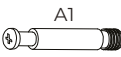
2



I  x4

3



A   x2

B  x1

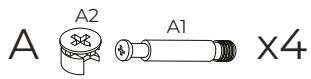
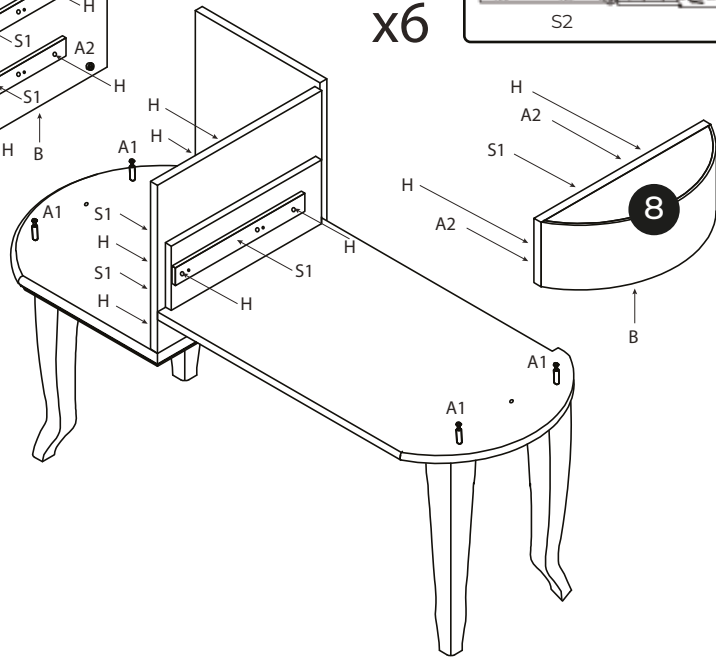
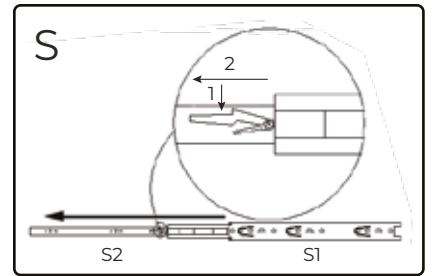
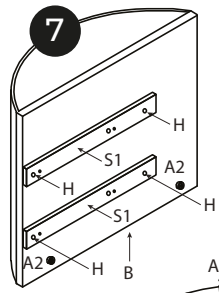
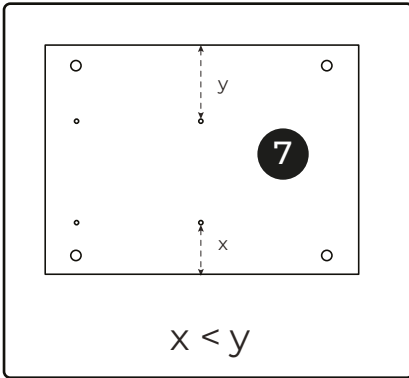
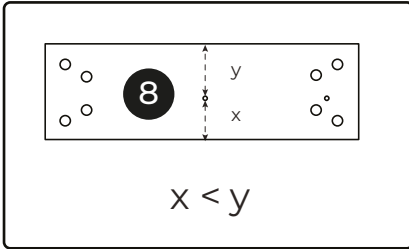
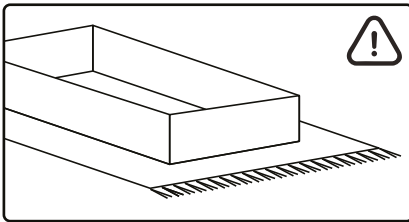
E  x4

K  x2

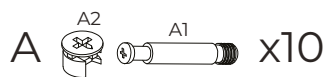
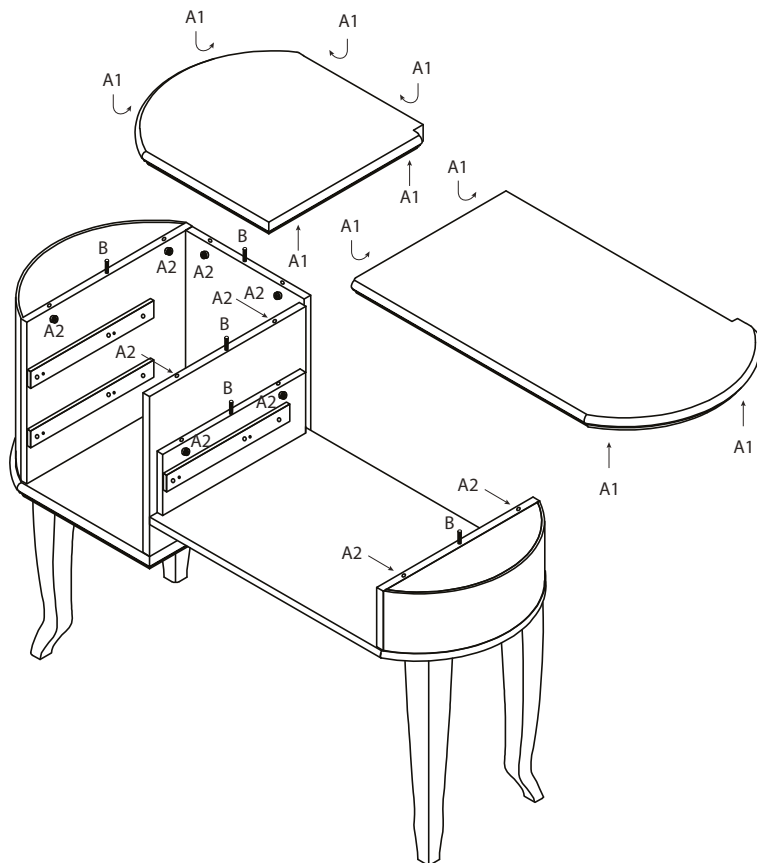
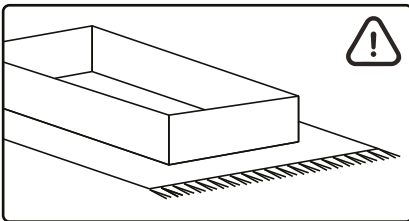
L  x4

M  x4

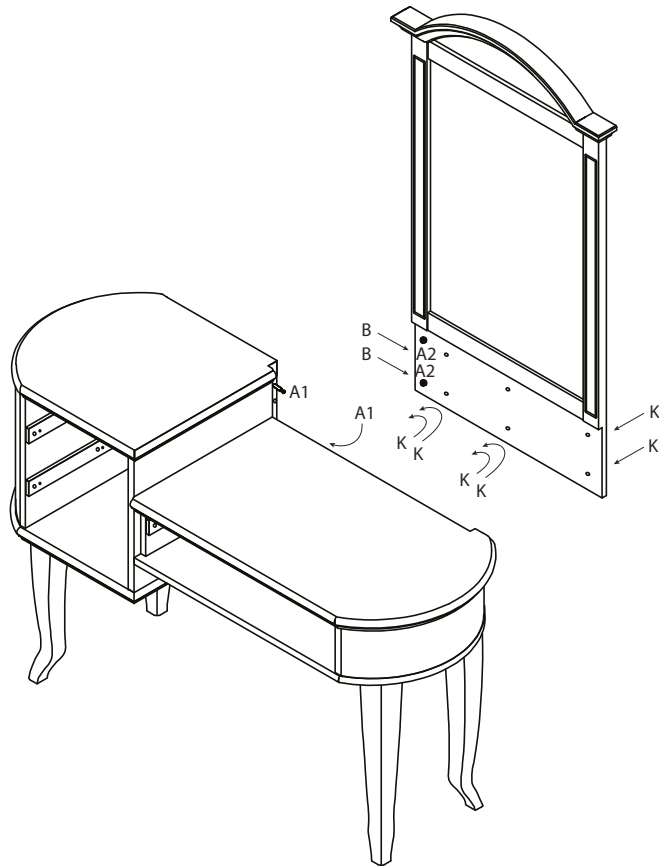
4

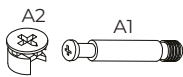


**5**




**6**

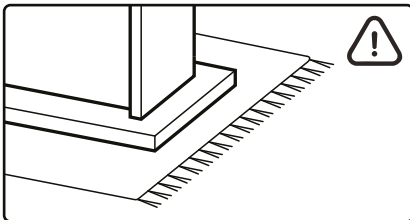
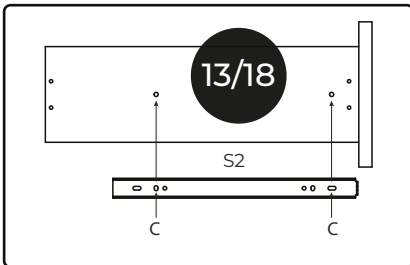


A  x2

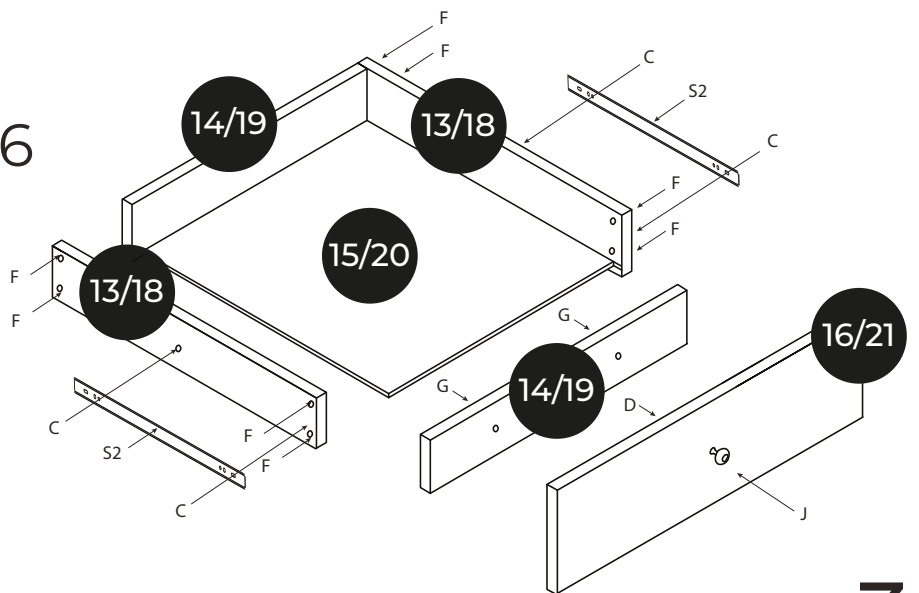
B  x2

K  x6

7



x6

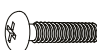


x3

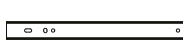
C  x12

D  x3

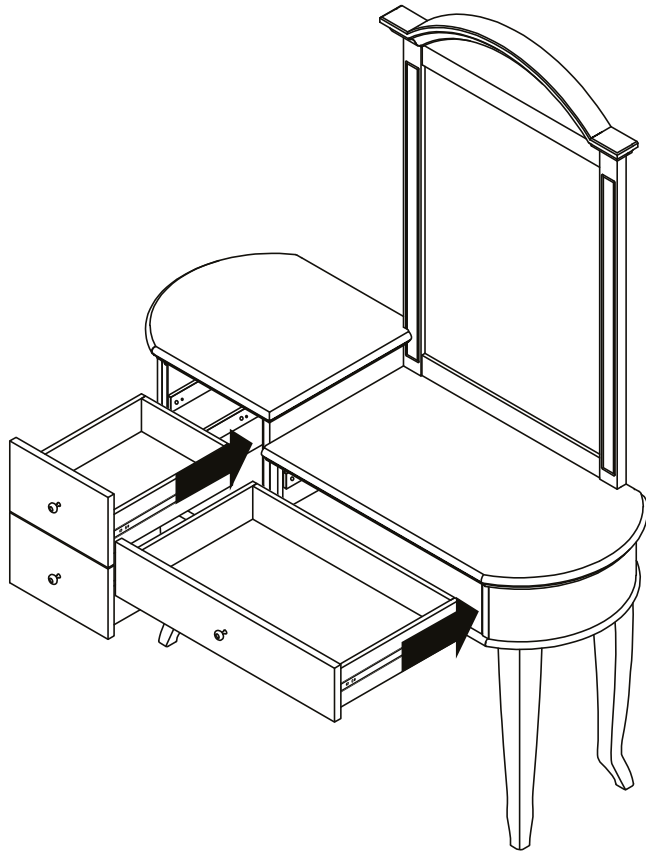
F  x24

G  x6

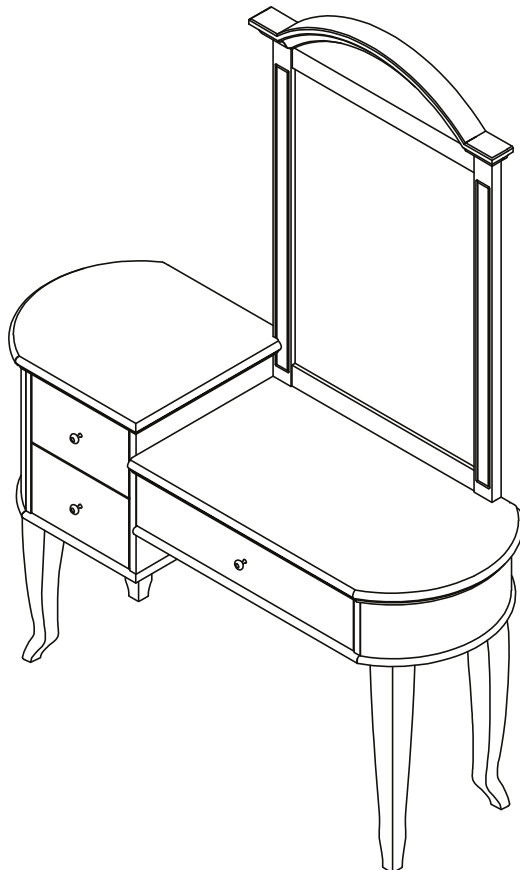
J  x3

S2  x6

8



7



8