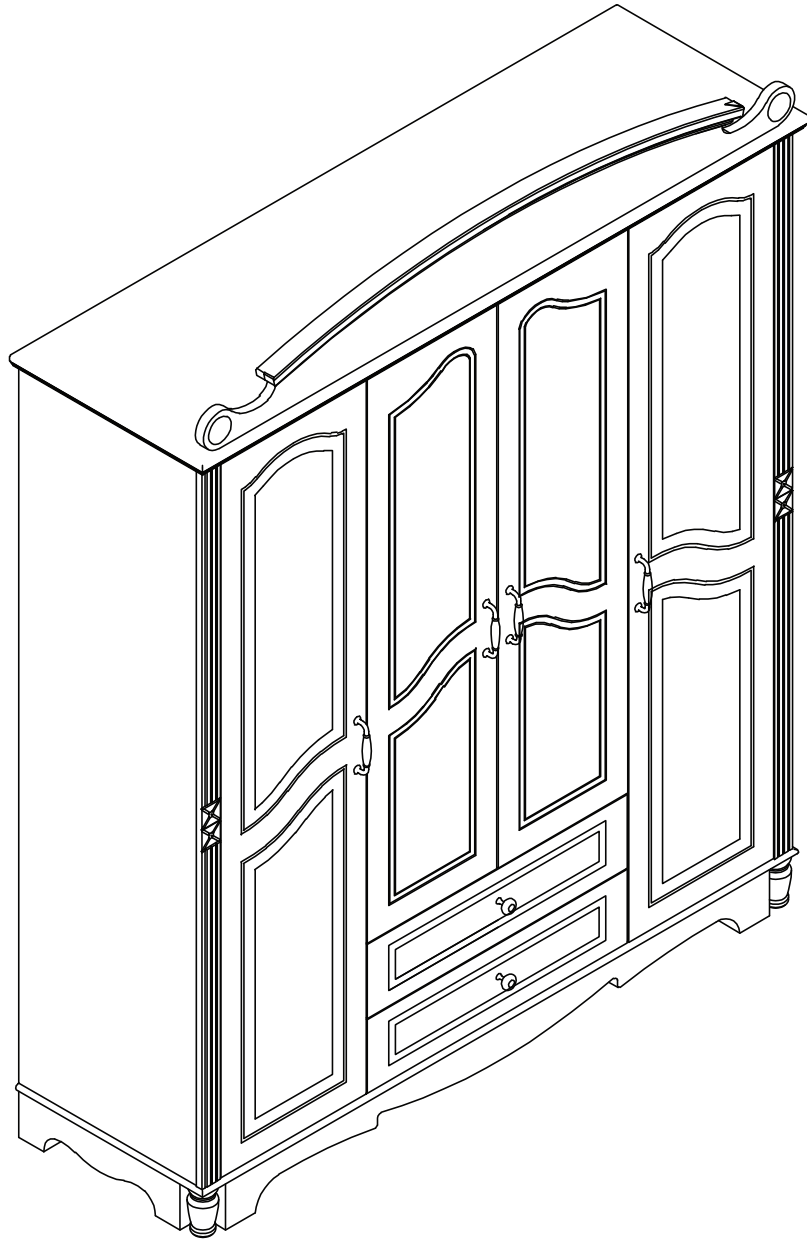
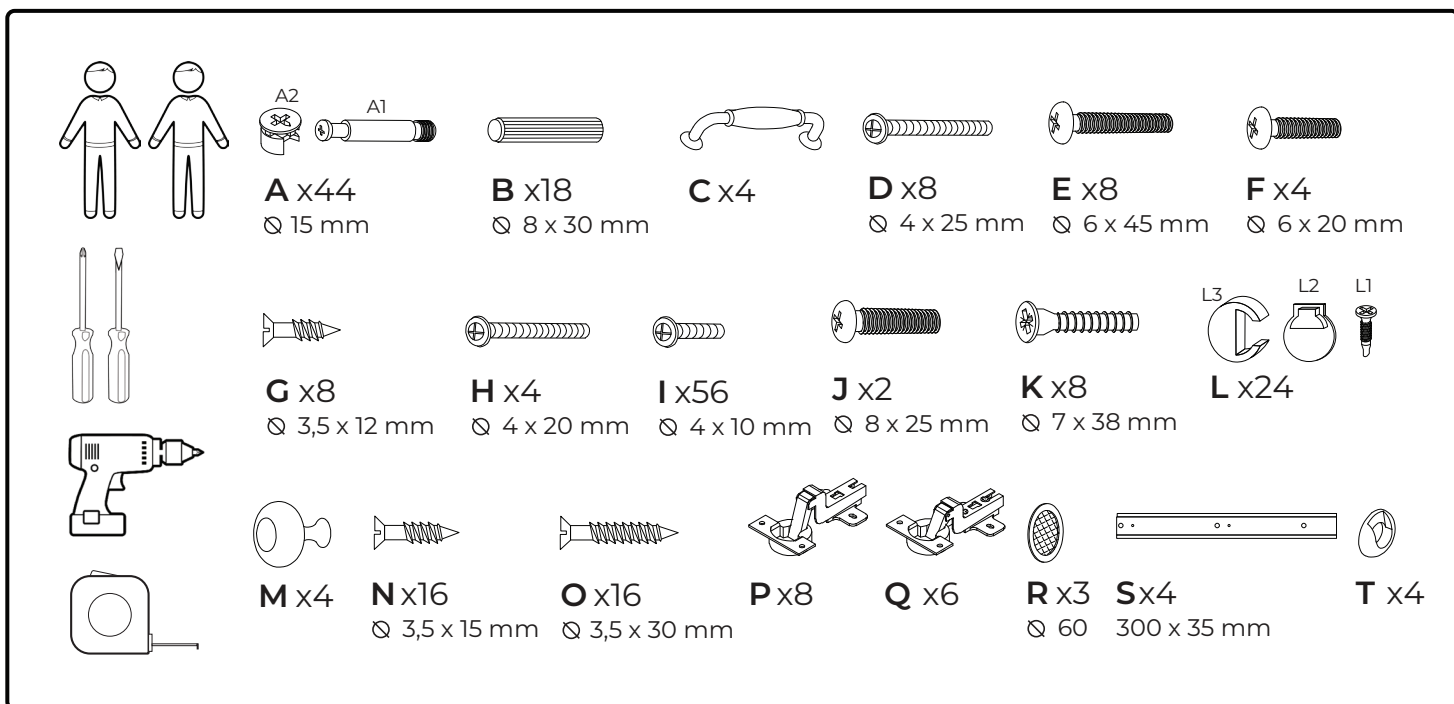
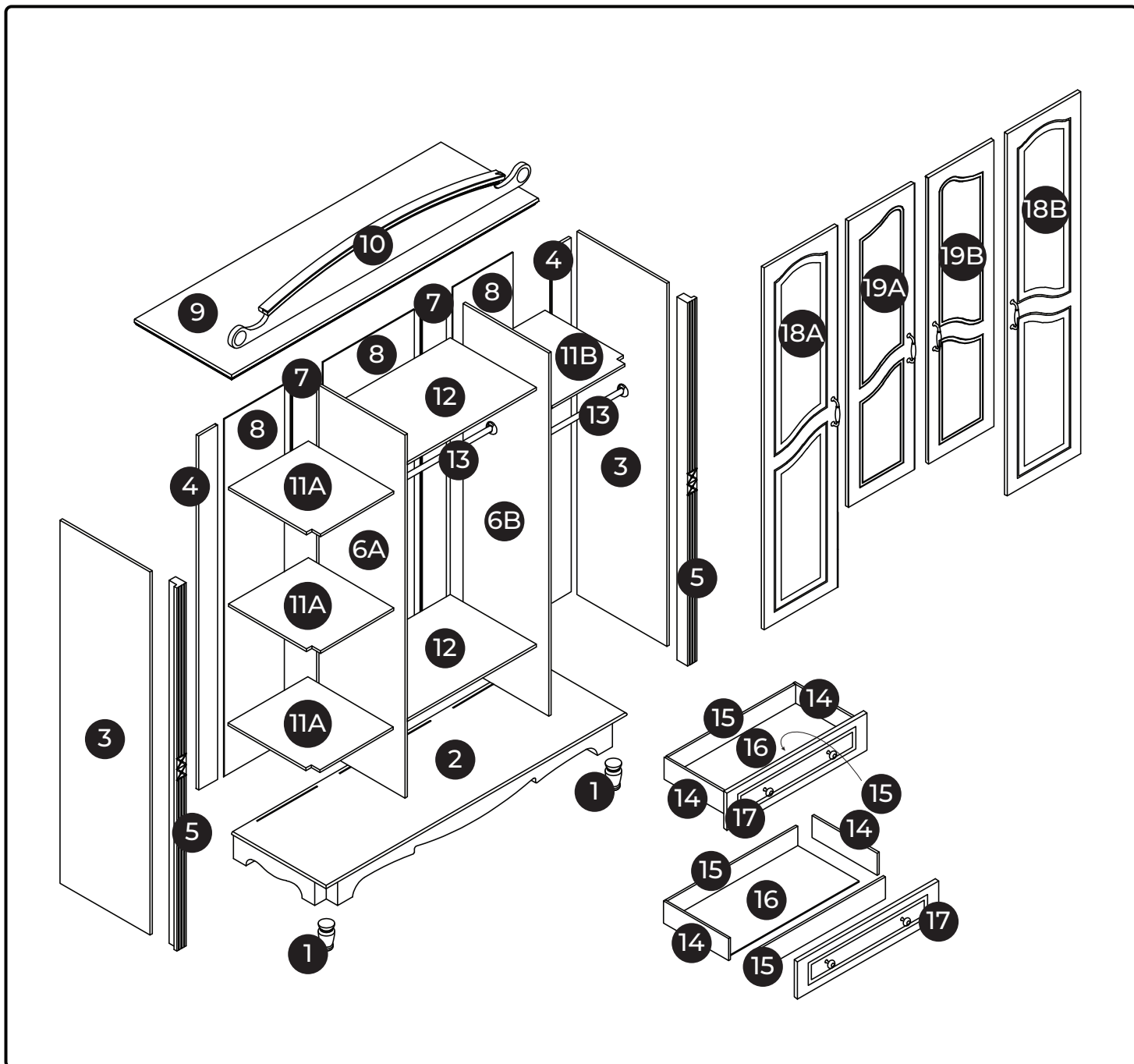


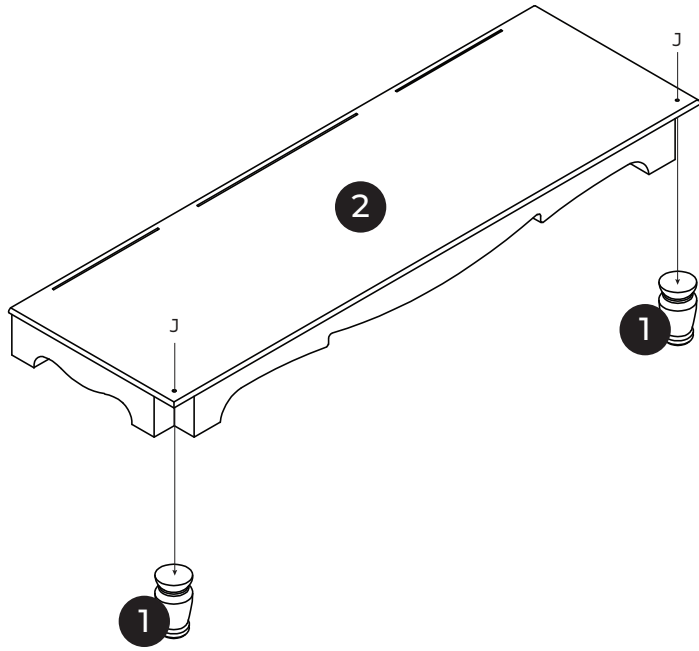
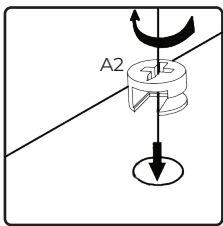
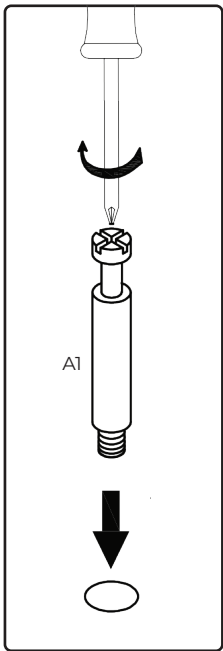
# 805


1890 x 600 x 2360 mm



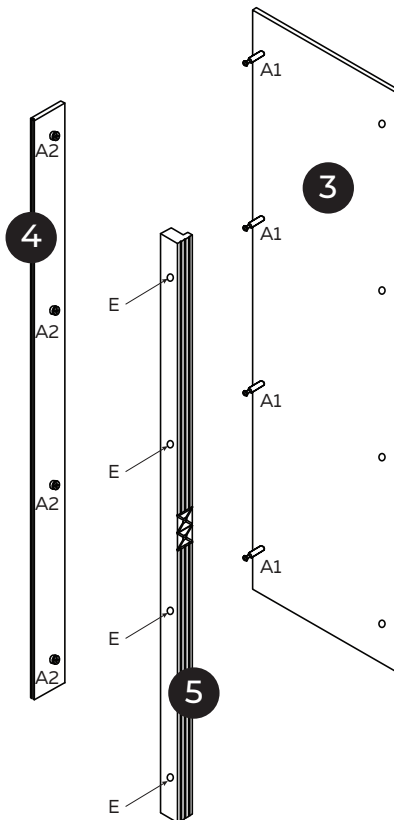
**BEMONDI**




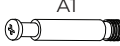


J  x2

1

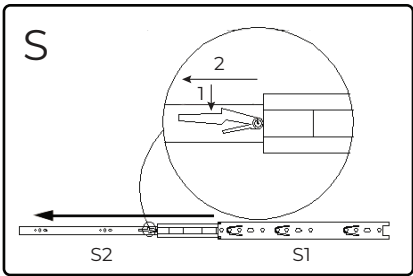


x2

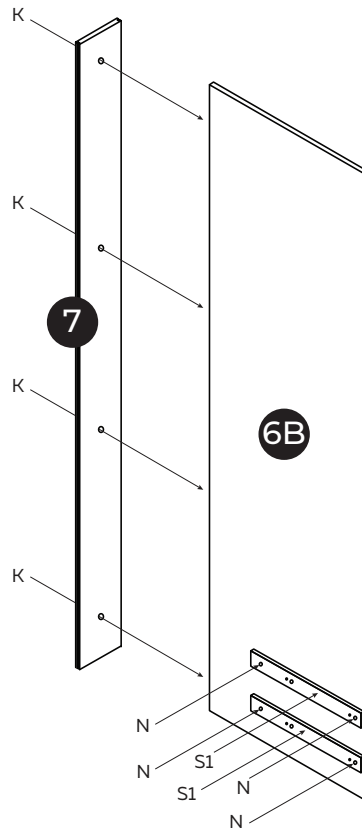
A   x8

E  x8

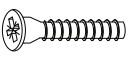
2

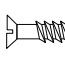


x4



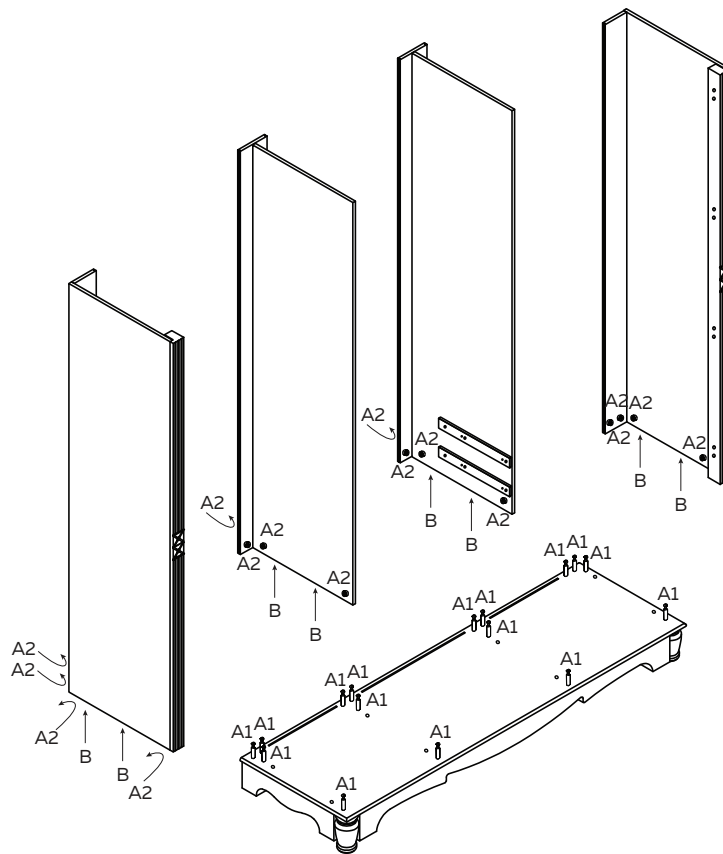
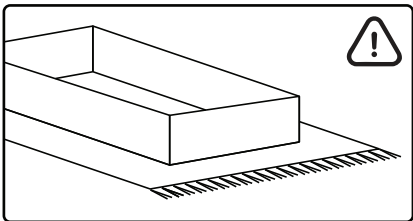
x2

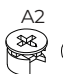
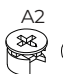
K  x8

N  x8

S1  x4

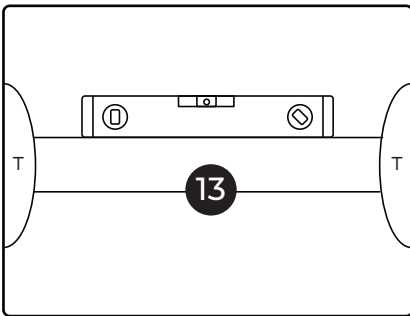
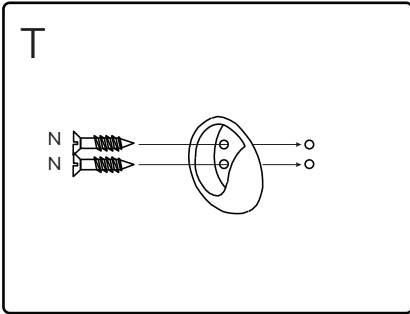
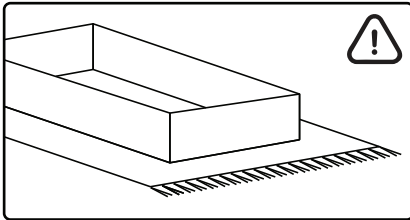
3



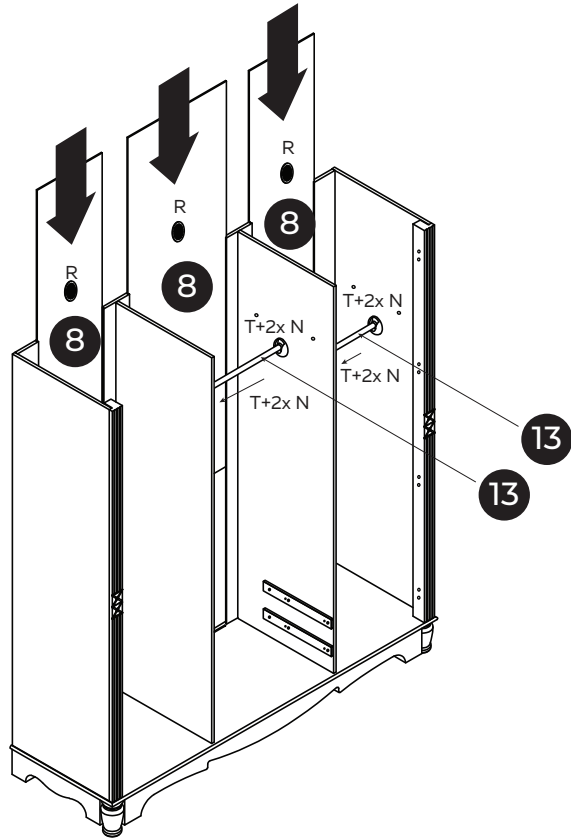
A   x16

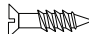
B  x8

4



x4

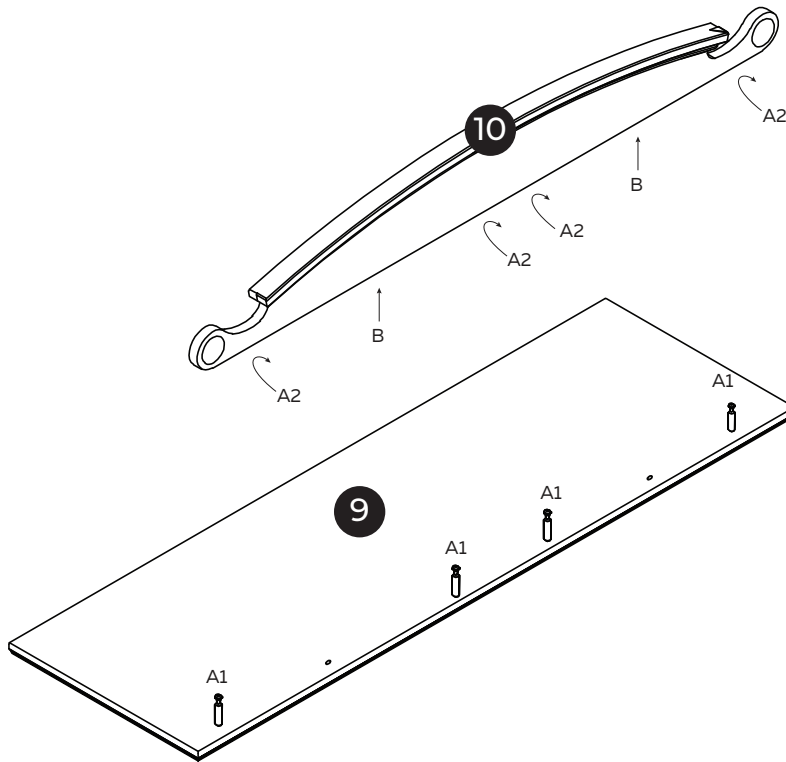




N  x8

R  x3

T  x4

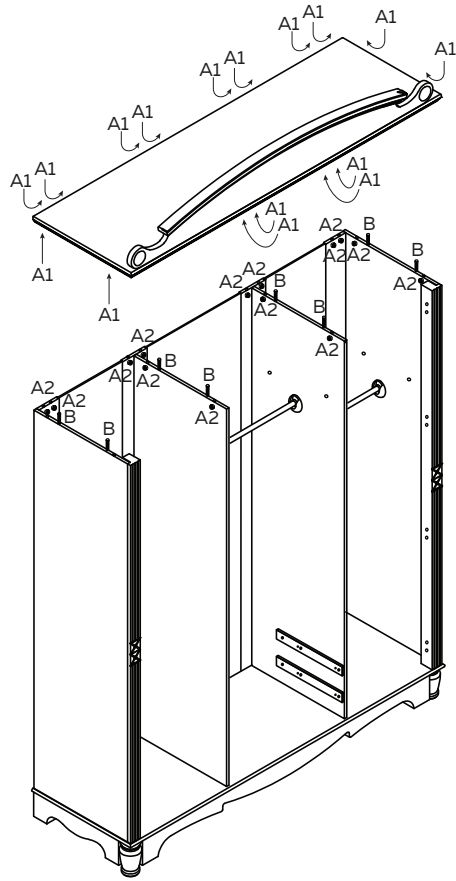
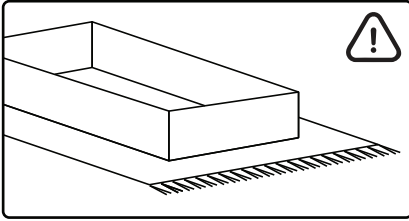
5





A   x4

B  x2

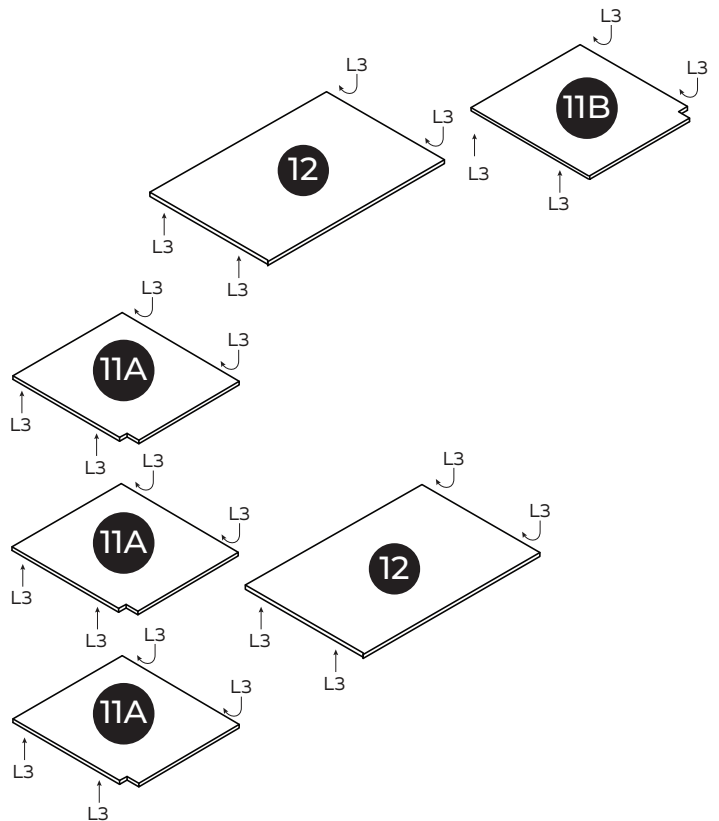
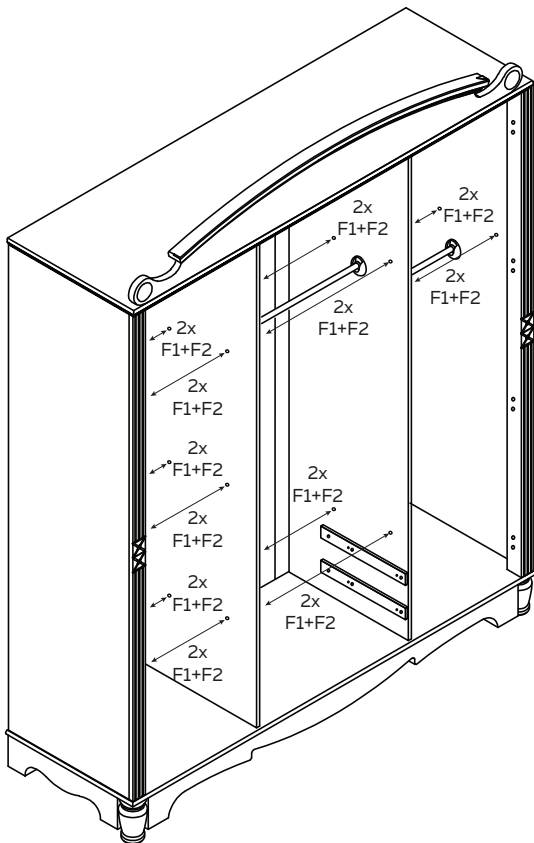
6



A   x16

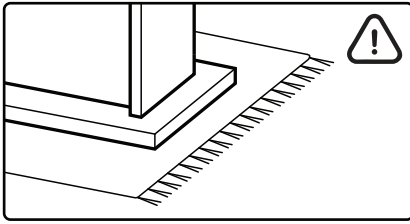
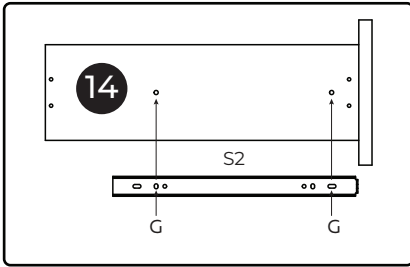
B  x8

7

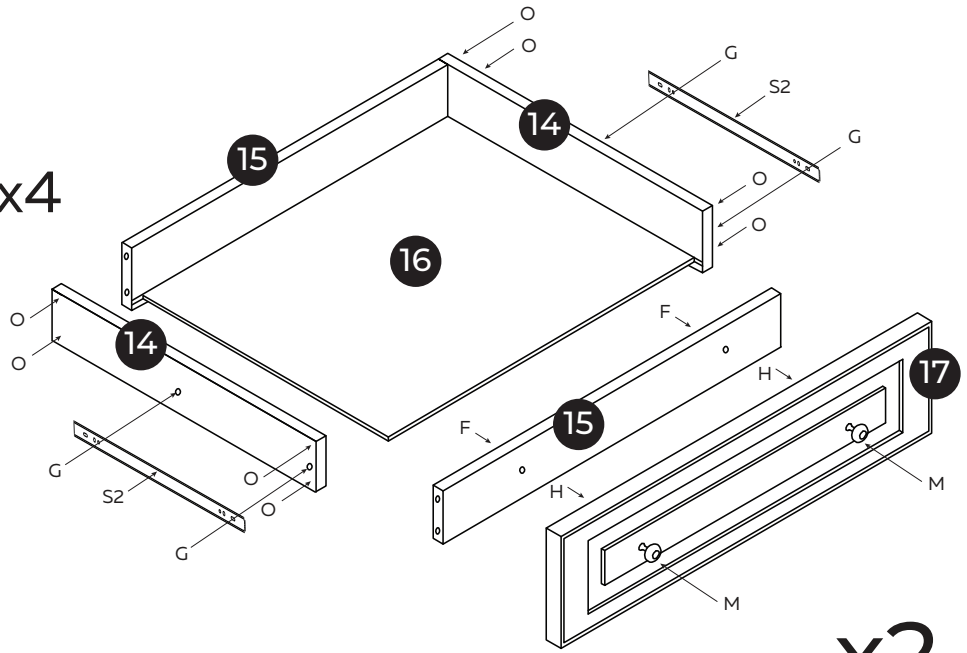


L    x24

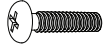
8





x4




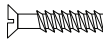
x2

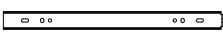
F  x4

G  x8

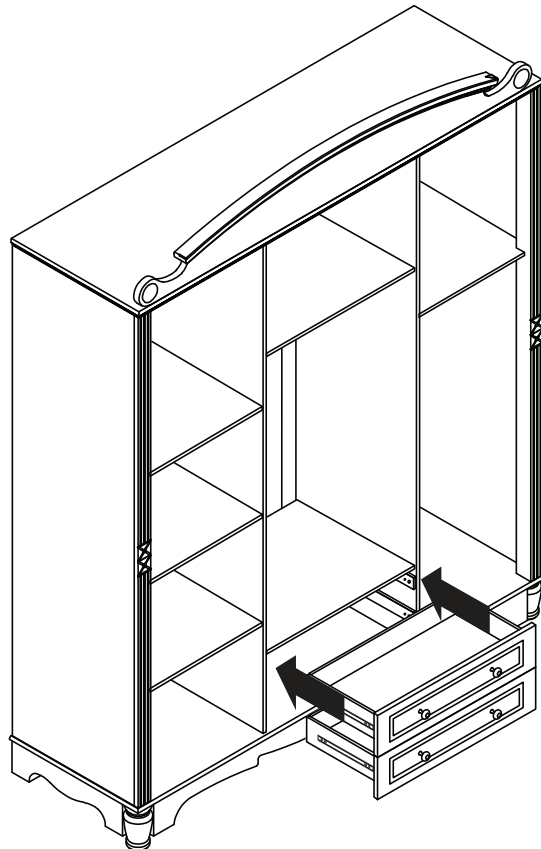
H  x4

M  x4

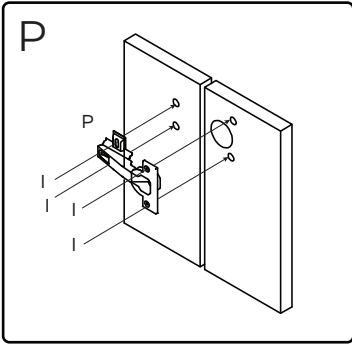
O  x16

S2  x4

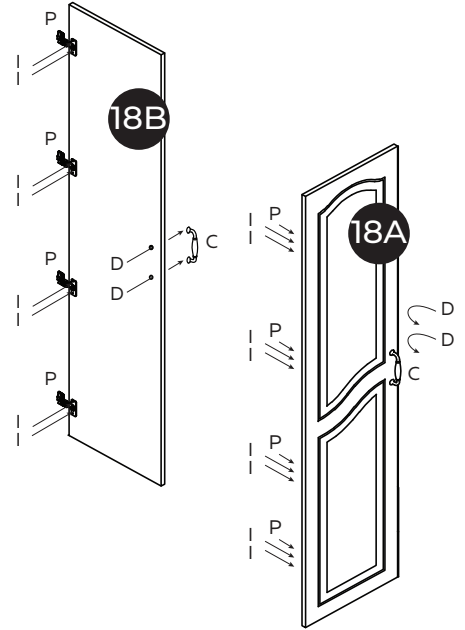
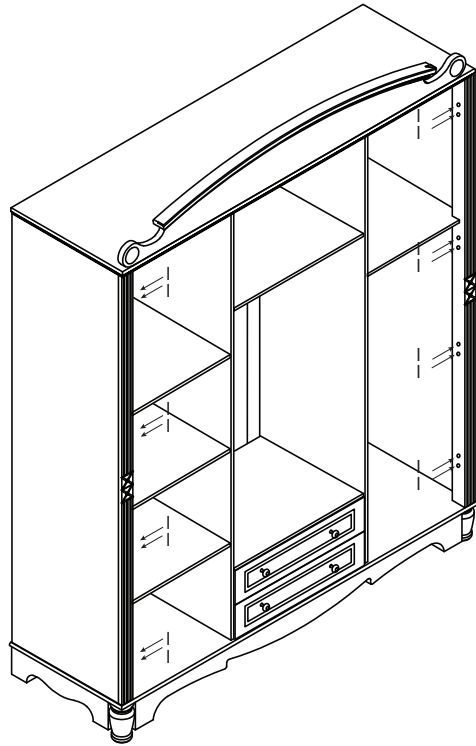
9




10




x8



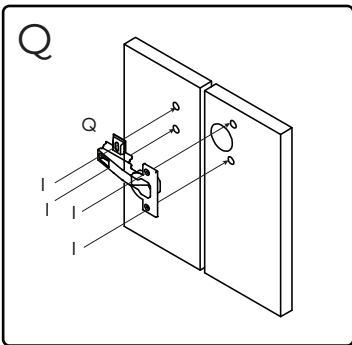
C  x2

D  x4

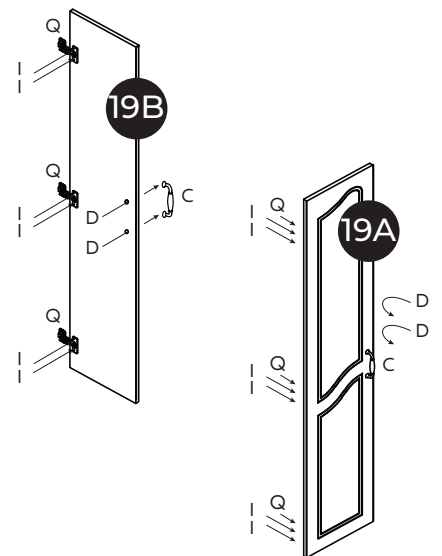
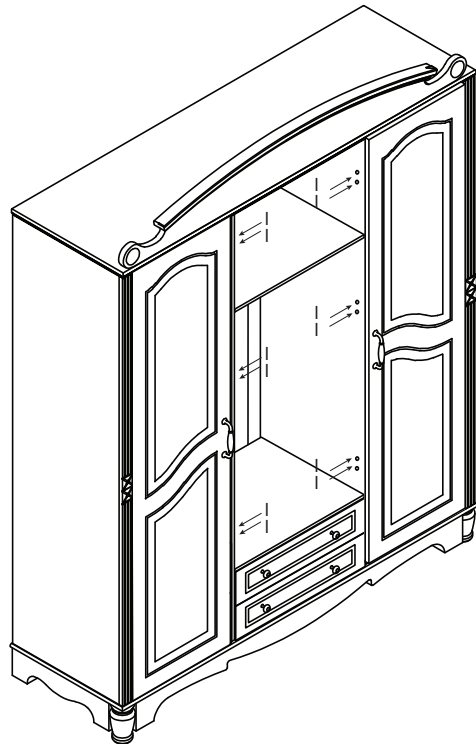
I  x32

P  x8

11




x8



C  x2

D  x4

I  x24

Q  x6

12



