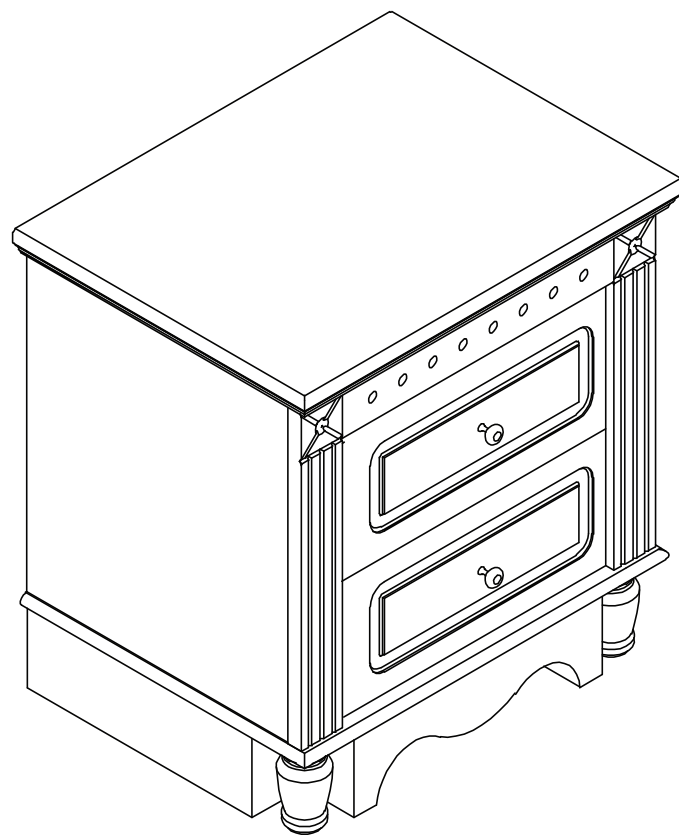
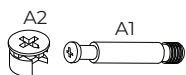
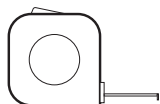
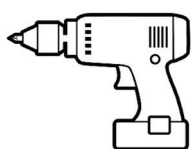
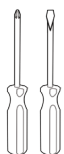
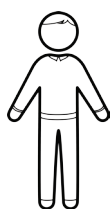
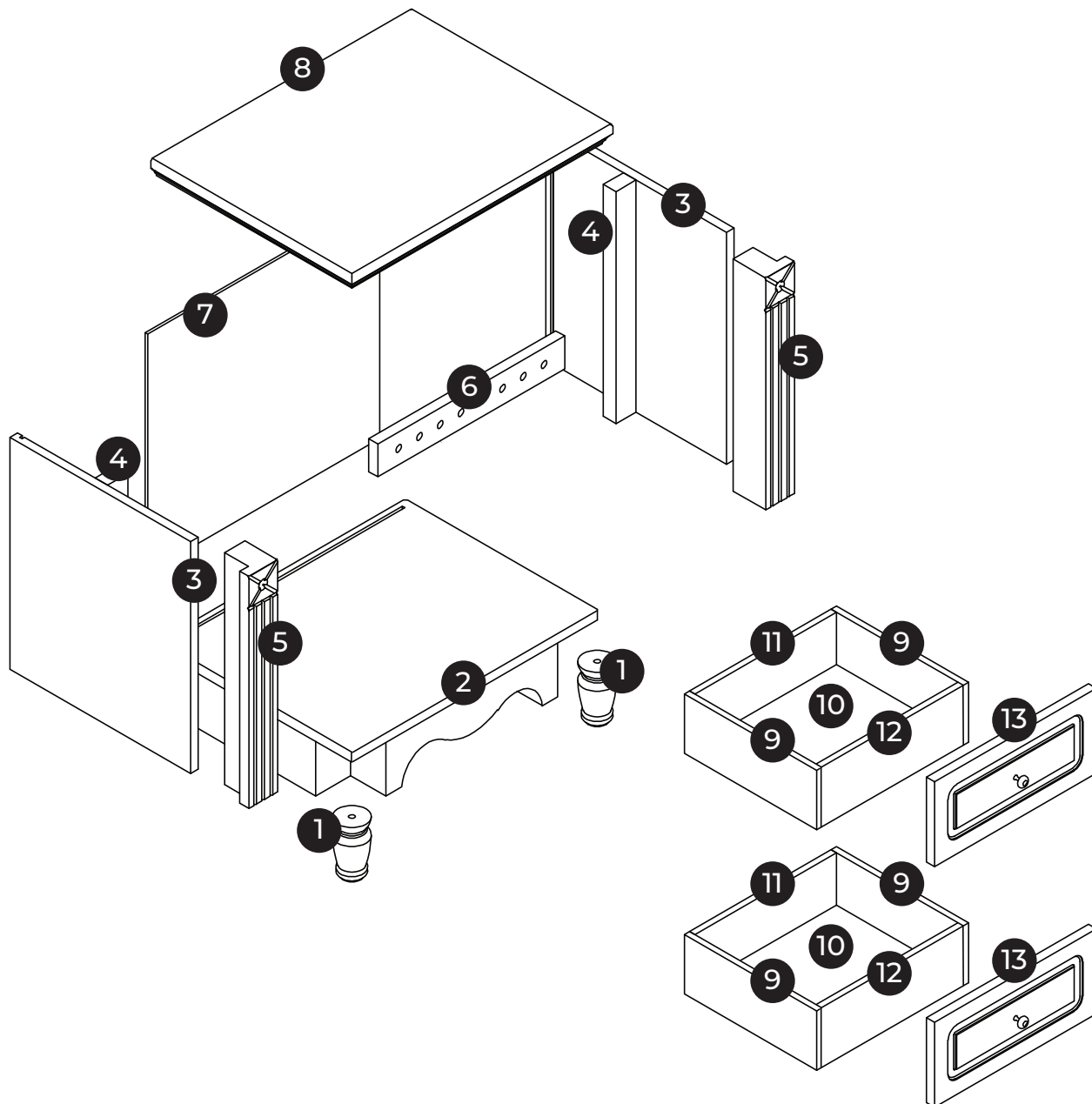


805

520 x 400 x 550 mm



BEMONDI



A x8
 Ø 15 mm



B x12
 Ø 8 x 30 mm



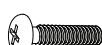
C x8
 Ø 3,5 x 12 mm



D x8
 Ø 3,5 x 15 mm



E x16
 Ø 3,5 x 30 mm



F x4
 Ø 6 x 20 mm



G x8
 Ø 6 x 45 mm



H x2
 Ø 4 x 22mm



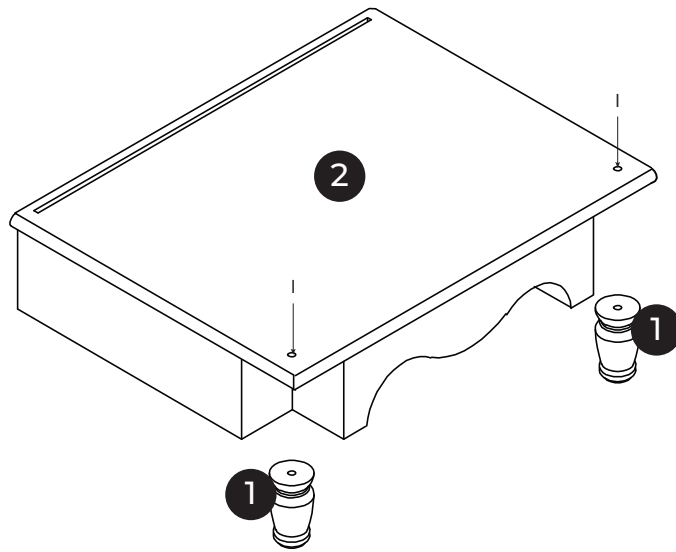
I x2
 Ø 8 x 35 mm

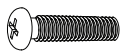


J x2

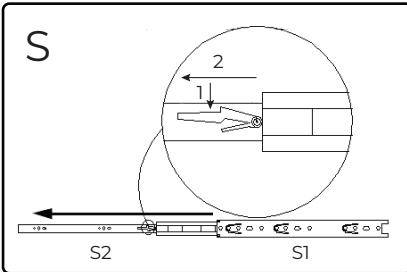


S x4
 300 x 35 mm

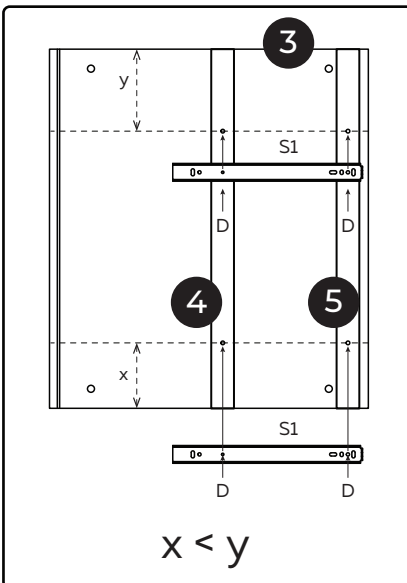


1  x2

1

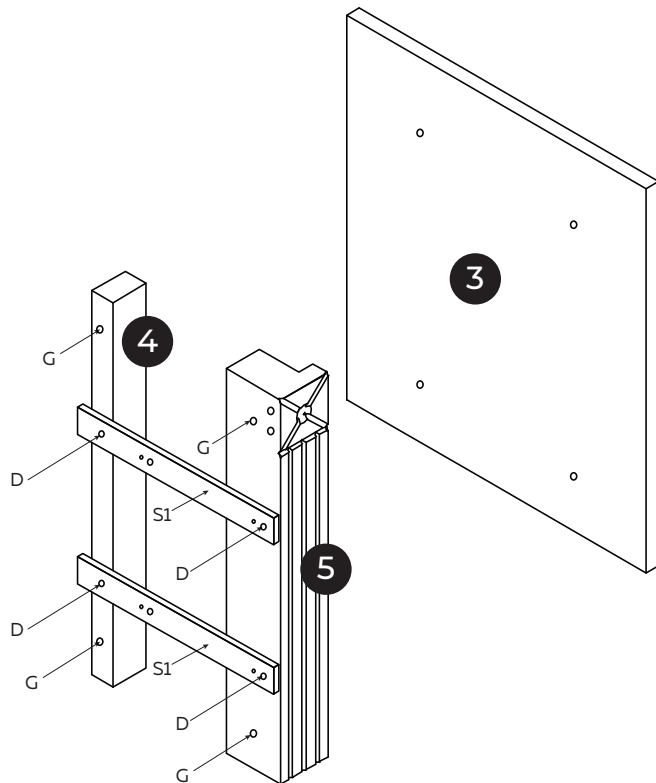


2x



$x < y$

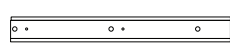
2x



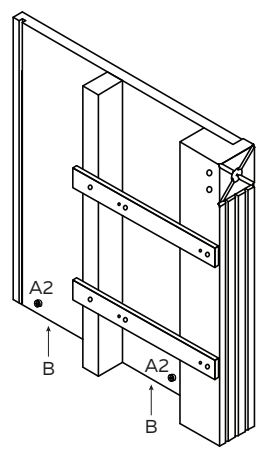
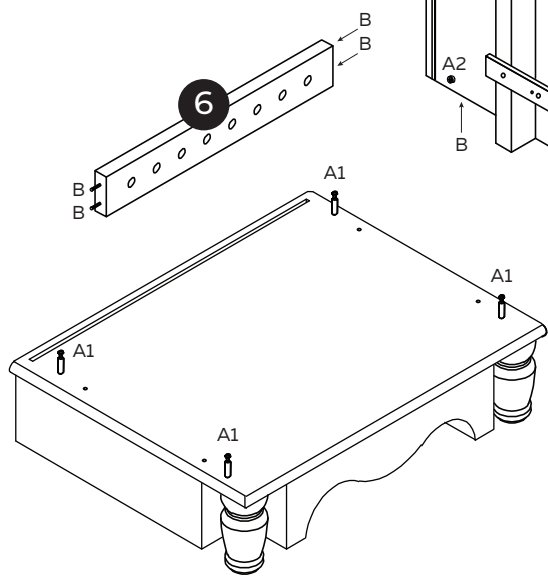
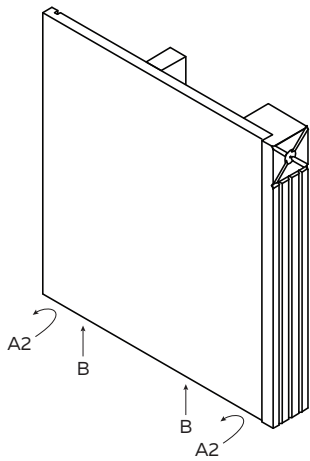
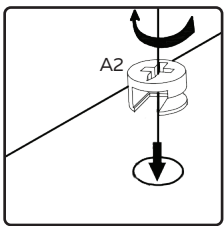
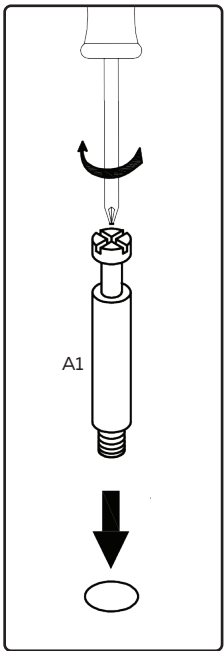
x2


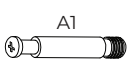
D  x8

G  x8

S1  x4

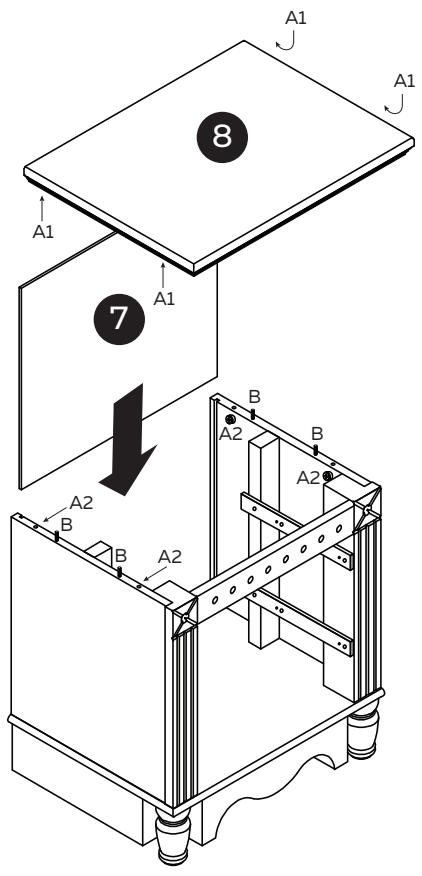
2


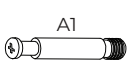


A   x4

B  x8

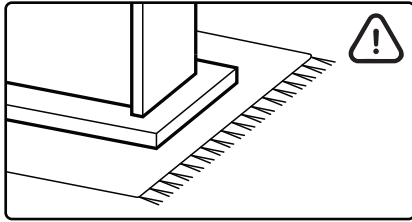
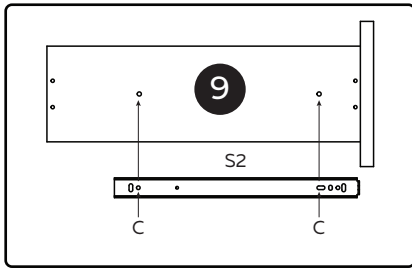
3



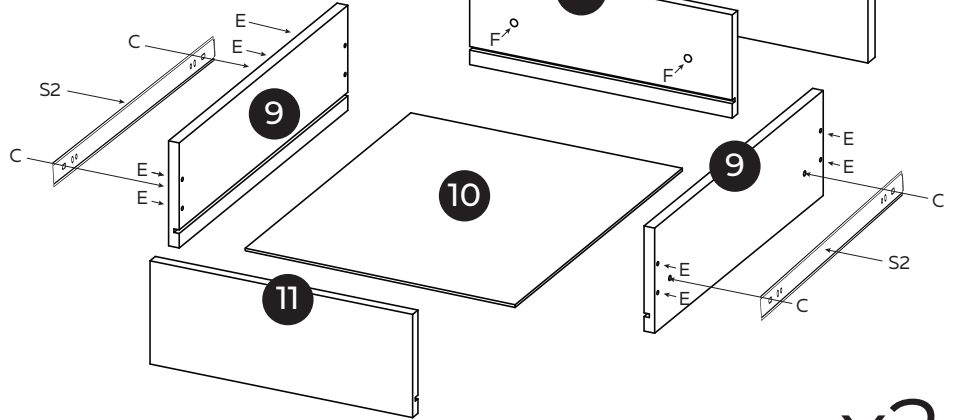
A   x4

B  x4

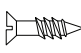
4



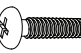
x4

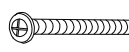


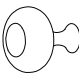
x2

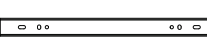
C  x8

E  x16

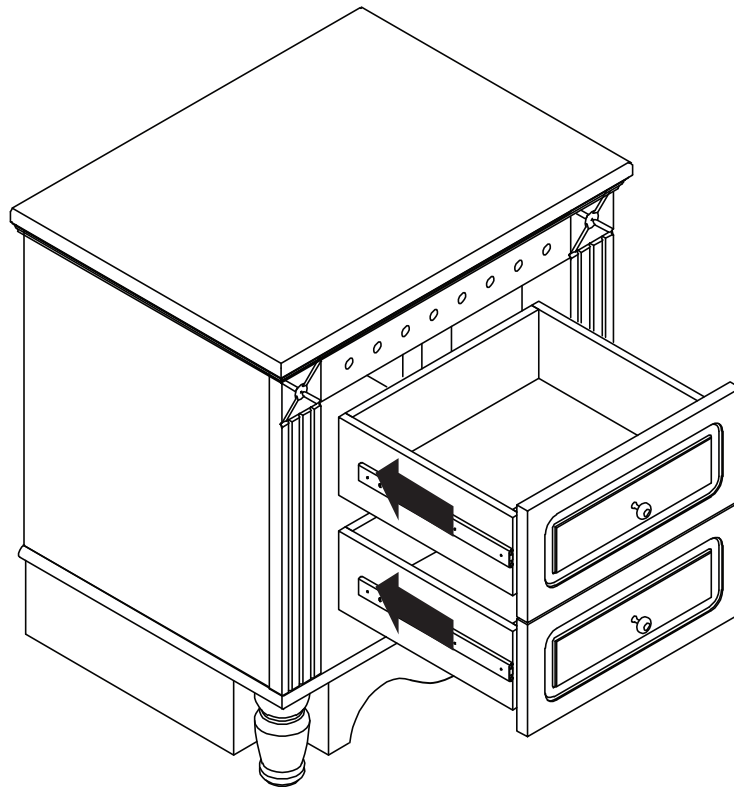
F  x4

H  x2

J  x2

S2  x4

5



6

