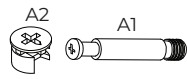
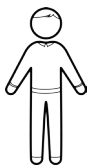
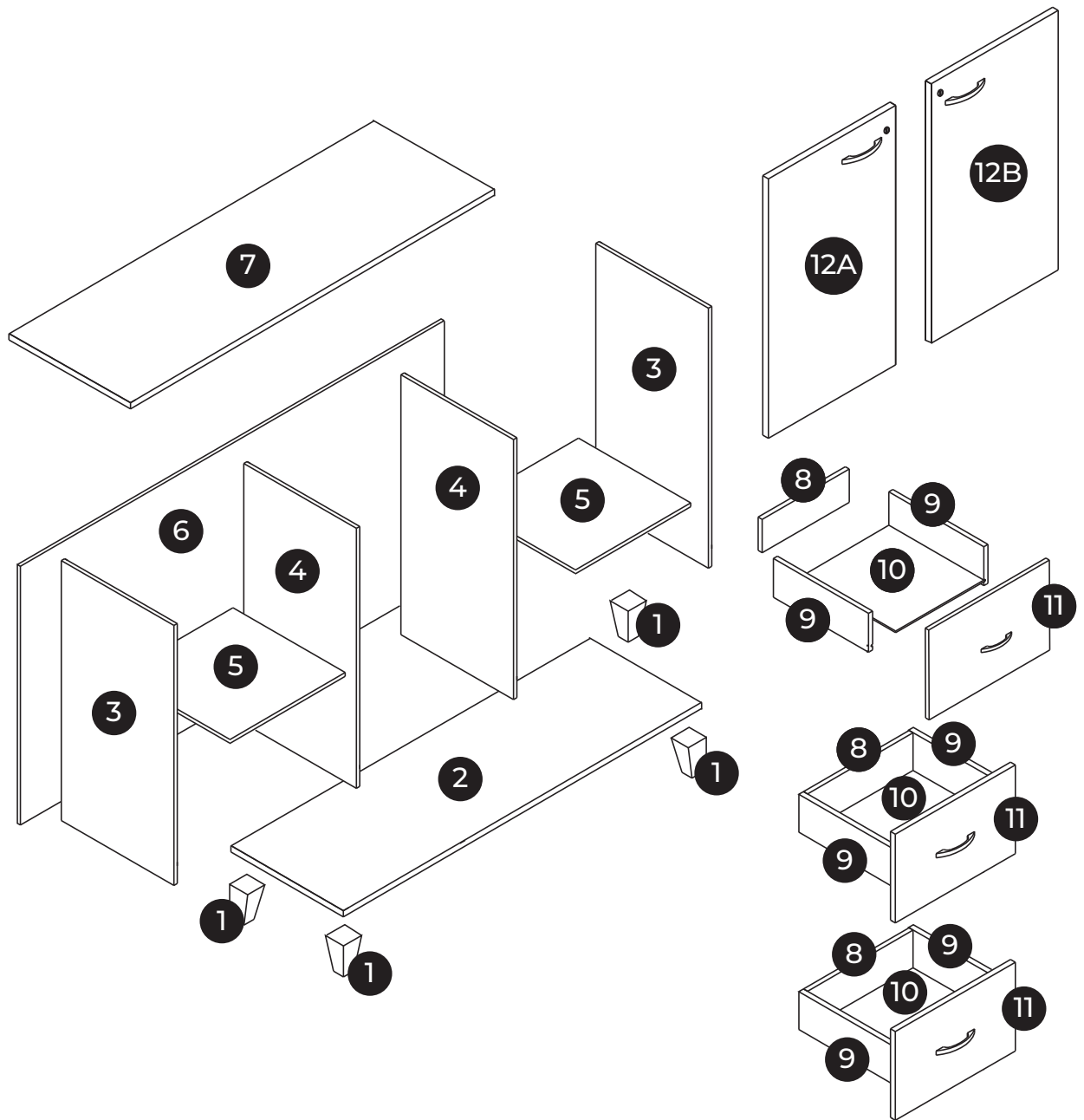


# D606

1200 x 400 x 800 mm



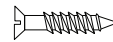
**BEMONDI**



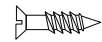
**A** x36  
 Ø 15 mm



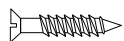
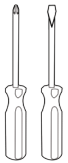
**B** x16  
 Ø 8 x 30 mm



**C** x20  
 Ø 3,5 x 20 mm



**D** x36  
 Ø 3,5 x 15 mm



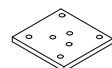
**E** x12  
 Ø 3,5 x 35 mm



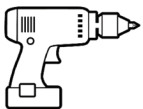
**F** x4



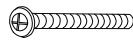
**G** x2



**H** x4  
 Ø 80 x 80 mm



**I** x8  
 Ø 5 x 14 mm



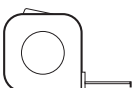
**J** x10  
 Ø 4 x 22mm

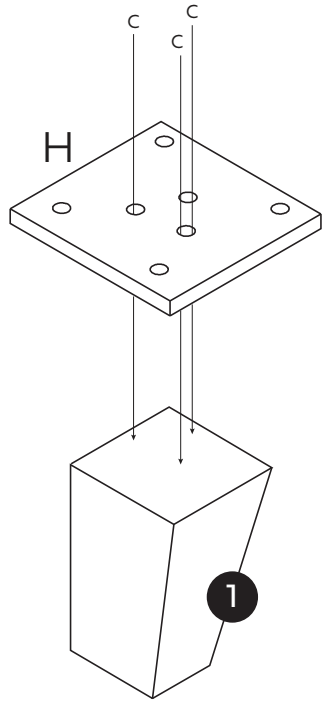


**K** x5



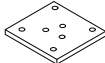
**L** x2  
 28 x 14 x 8 mm



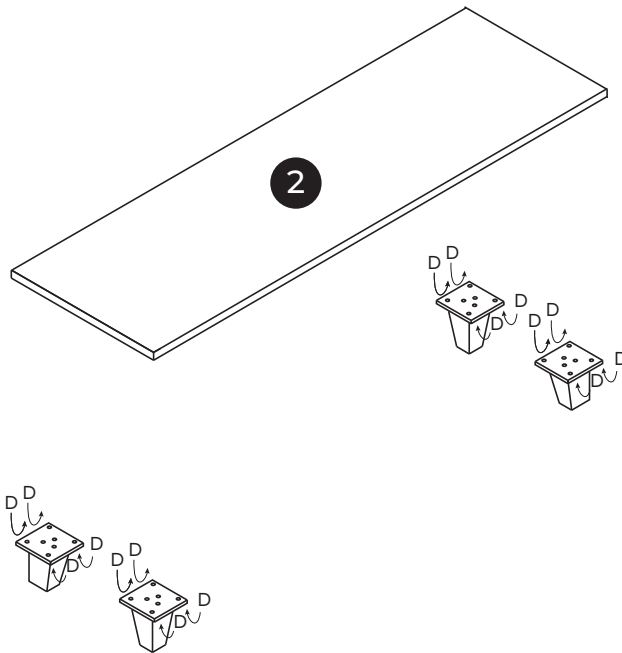


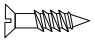
x4

C  x12

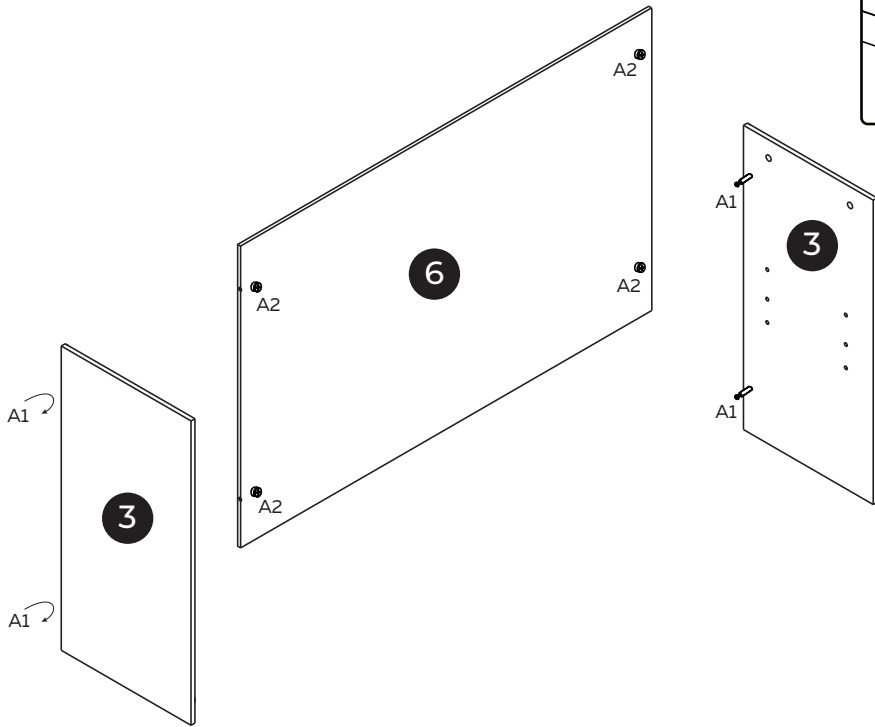
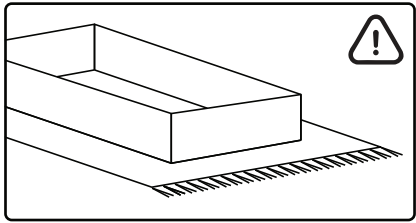
H  x4


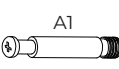
1



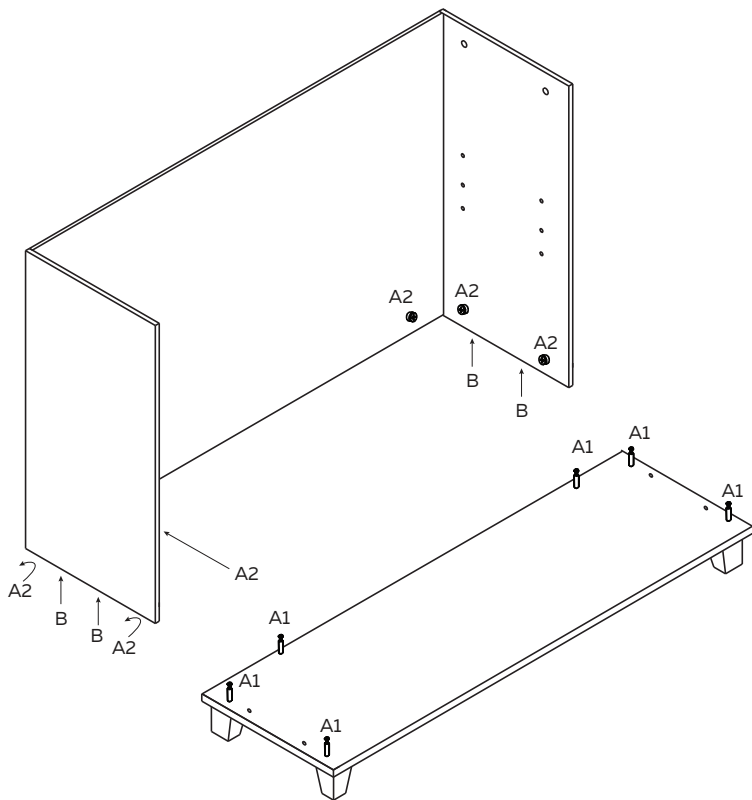
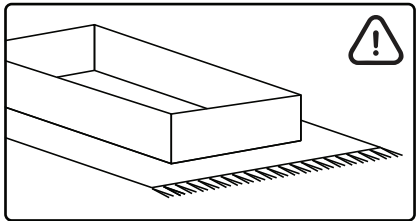
D  x16


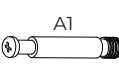
2



A   x4

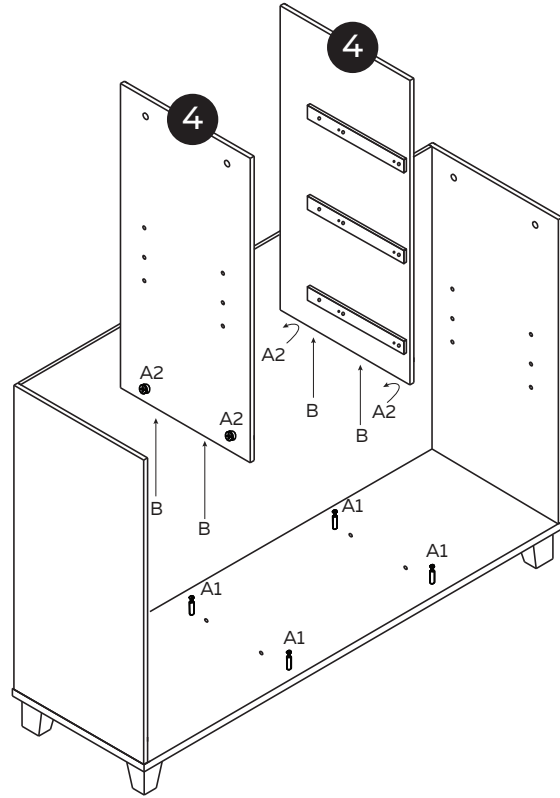
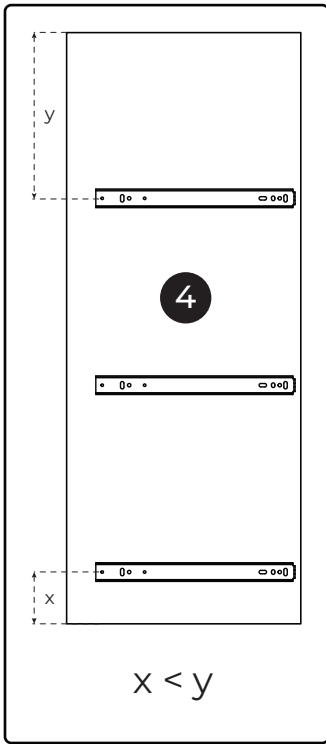
3


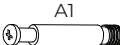


A   x6

B  x4

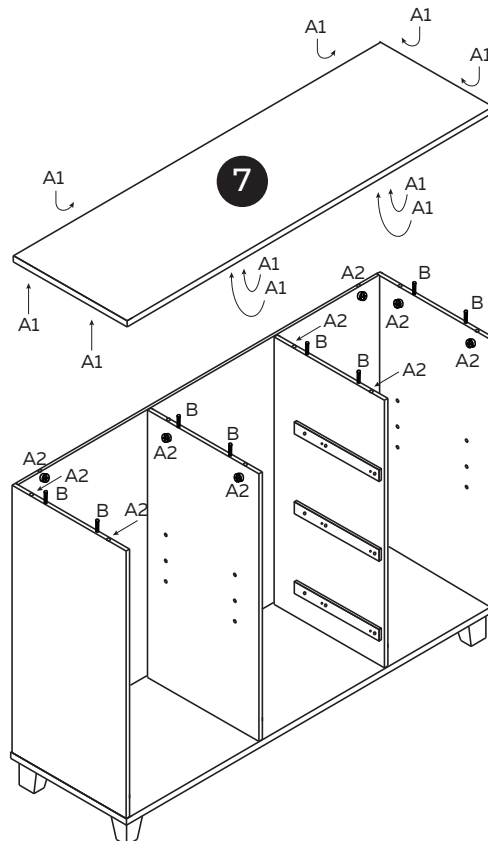
4


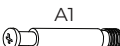


A   x4

B  x4

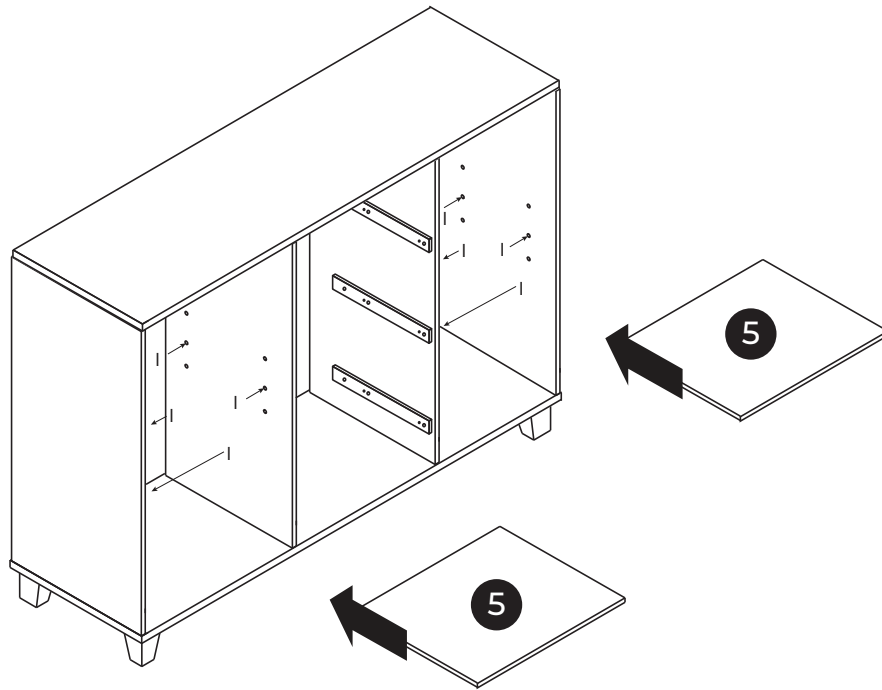
5




A   x10

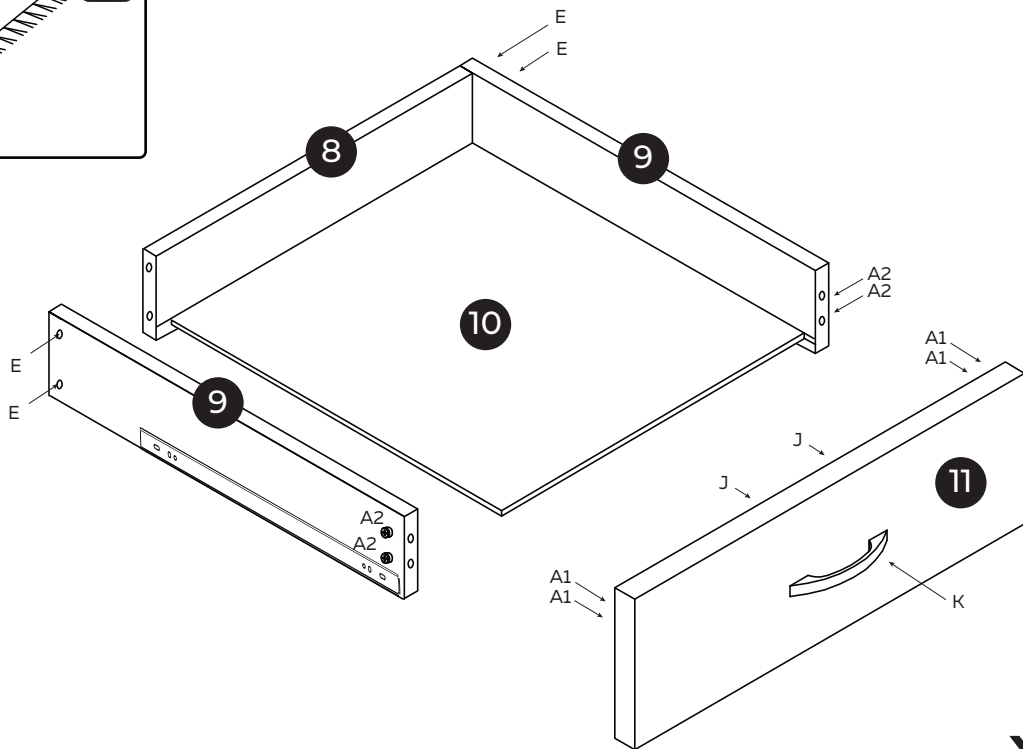
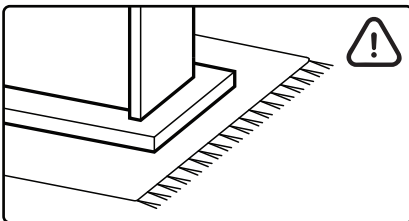
B  x8

6




I  x8


7



x3

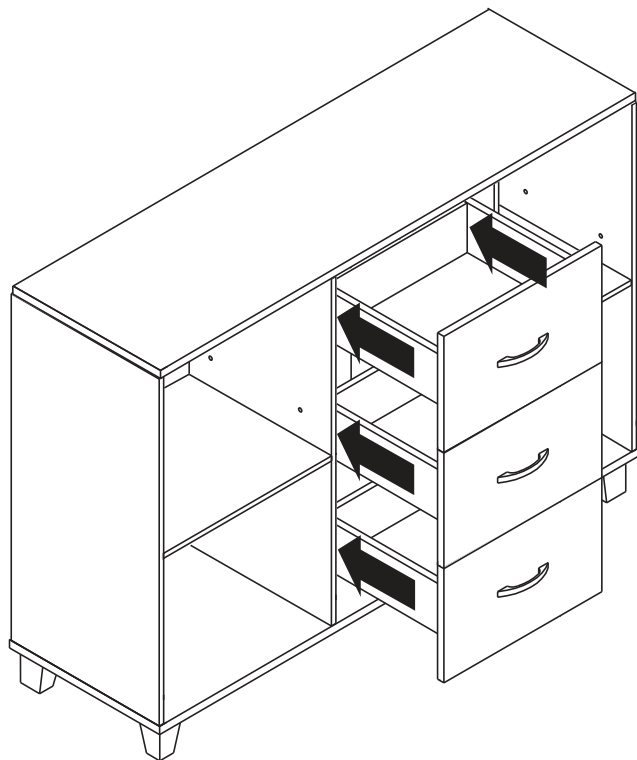
A  x12

E  x12

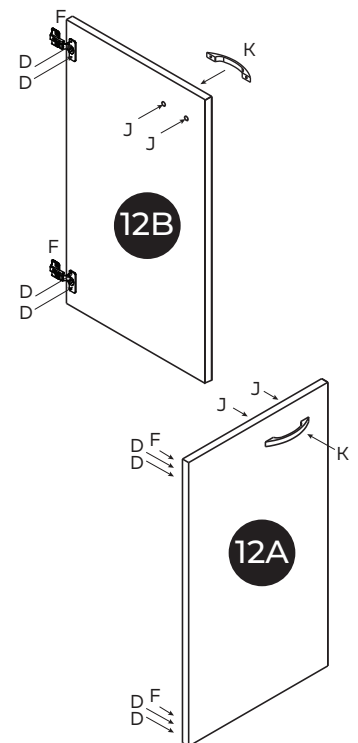
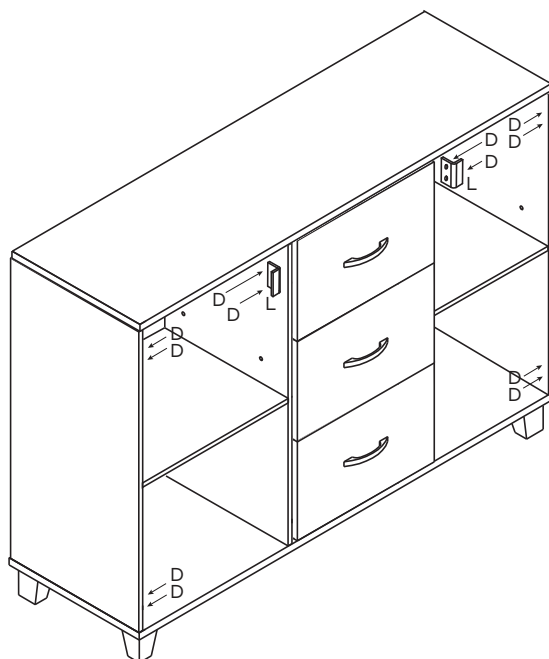
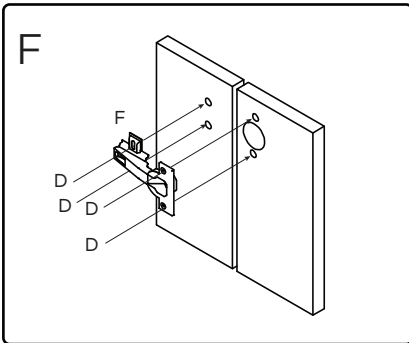
J  x6


K  x3

8




9



D  x20

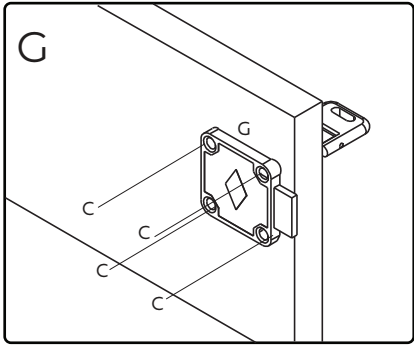
F  x4

J  x4

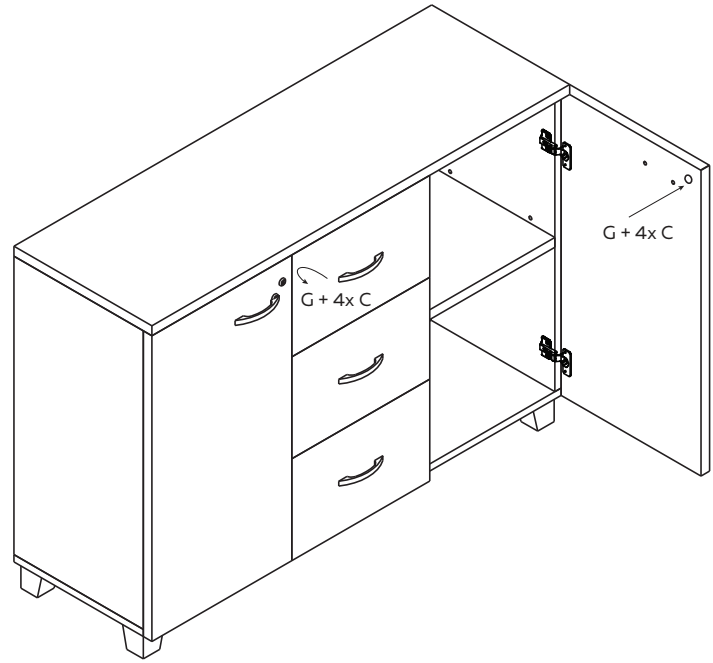
K  x2

L  x2

10



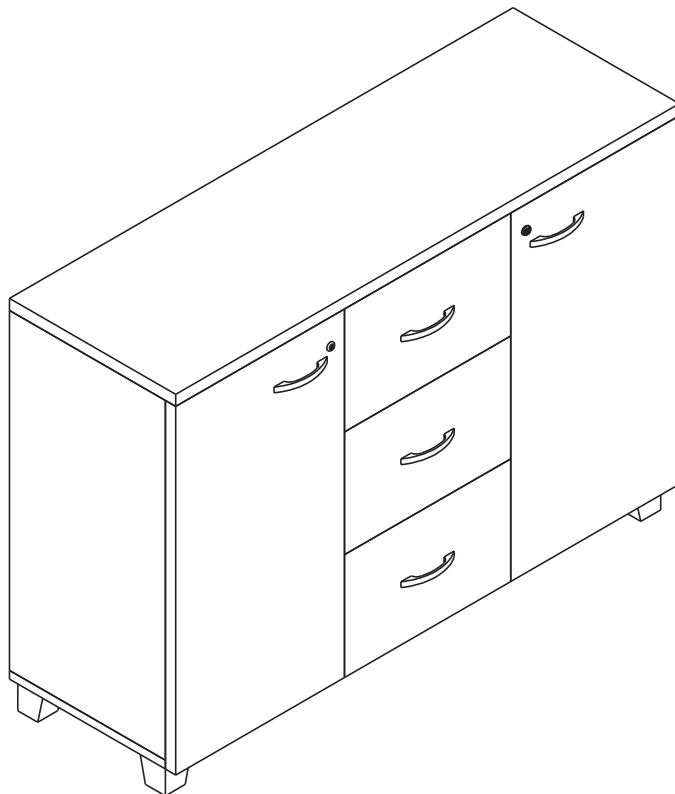
x2



C  x8

G  x2

11



12